

1 | 2

3

4

USB A CABLE STYLE CONNECTOR  
WITHOUT BACK SHELL

USB A CABLE STYLE CONNECTOR  
WITH BACK SHELL

NOTE 3

RECOMMENDED PCB DIMENSIONS

NOTES:

- 1.MATERIAL:  
CONTACTS—COPPER ALLOY  
SHELL—COPPER ALLOY  
HOUSING—UL 94—V—0 RATED THERMOPLASTIC.
- 2.PLATING:  
CONTACTS: SEE PRODUCT NUMBER CODE;  
SHELL: SEE PRODUCT NUMBER CODE.
- ③ DATUM AND BASIC DIMENSIONS ESTABLISHED BY CUSTOMER.
- 4.RECOMMENDED PC BOARD THICKNESS OF 1.57mm.
- 5.P/N SEE PRODUCT NUMBER CODE.  
( TO BE CONTINUED)

Tous droits strictement reserves. Reproduction ou communication a des tiers interdite sous quelque forme que ce soit sans autorisation ecrite du propriétaire. Propriete de FCI. Copyright FCI.

All rights strictly reserved. Reproduction or issue to third parties in any form whatever is not permitted without written authority from the proprietor. Property of FCI. Copyright FCI.

mat'l. code				tolerances unless otherwise specified		CUSTOMER COPY	 www.fciconnect.com				
NOTE 1 & 2											
ltr	ecn no	dr	date	linear	.X ±.30	projection		title	UNIV. SERIAL BUS DOUBLE DECK RECEPTACLE		
AC	N05-0068	PH	03/09/05		.XX ±.20						
AD	N05-0106	PH	04/13/05		.XXX ±.10						
AE	N06-0101	HB	04/13/06	angles	0° ±3°	 mm scale 2:1	 A4	product family	USB	code	
AF	N06-0133	HB	05/17/06	dr	PETER						12/10/97
AG	N08-0198	R.B	2008/09/10	enr	R Y LIU						12/10/97
AH	N08-0238	R.B	2008/11/01	chr	R Y LIU						12/10/97
AJ	ELX-N-004655	AZH	2011/07/26	appd	JENN TSAO						12/10/97
sheet index	revision sheet							size	dwg no	72309	sheet 1 of 4

form no. 7530-001-103

1 | 2

PDS: Rev :AJ 3

STATUS: Release 22526 Printed: Sep 08, 2011

4

1

2

3

4

CONTACT ARMS OPTIONAL  
(SEE PRODUCT NUMBER CODE)

ASSEMBLY WITHOUT BACK SHIELD  
72309-XX3XX SHOWN

(CONTINUED)

6. FOR LEAD FREE P/N, A LEAD FREE LABEL WILL APPEAR AT PACKING.
7. FOR LEAD FREE P/N, THE HOUSING WILL WITHSTAND EXPOSURE TO 260°C PEAK TEMPERATURE FOR 40 SECONDS IN A CONVECTION, INFRA-RED OR VAPOR PHASE REFLOW OVEN.
8. FOR LEAD FREE P/N, THE PRODUCT MEET EUROPEAN UNION DIRECTIVES AND OTHER COUNTRY REGULATION AS DESCRIBED IN GS-22-008
9. PACKAGING SPECIFICATION PER GS-14-393.
10. PRODUCT SPECIFICATION PER GS-12-095.

mat'l. code				tolerances unless otherwise specified				CUSTOMER COPY		 www.fciconnect.com		
ltr	ecn no	dr	date	linear	.X ±.30				projection	title		
AJ					.XX ±.20					UNIV. SERIAL BUS		
					.XXX ±.10					DOUBLE DECK RECEPTACLE		
				angles	0° ±3°				 mm scale 2 : 1	product family		code
				dr	PETER PAM	12/10/97	R Y LIU			USB		-
				enr	R Y LIU	12/10/97	R Y LIU			size		sheet
				chr	R Y LIU	12/10/97	JENN TSAO			A4		72309
				appd	JENN TSAO	12/10/97						2 of 4
sheet index	revision sheet											

form no. 7530-001-103

1

2

PDS: Rev :AJ

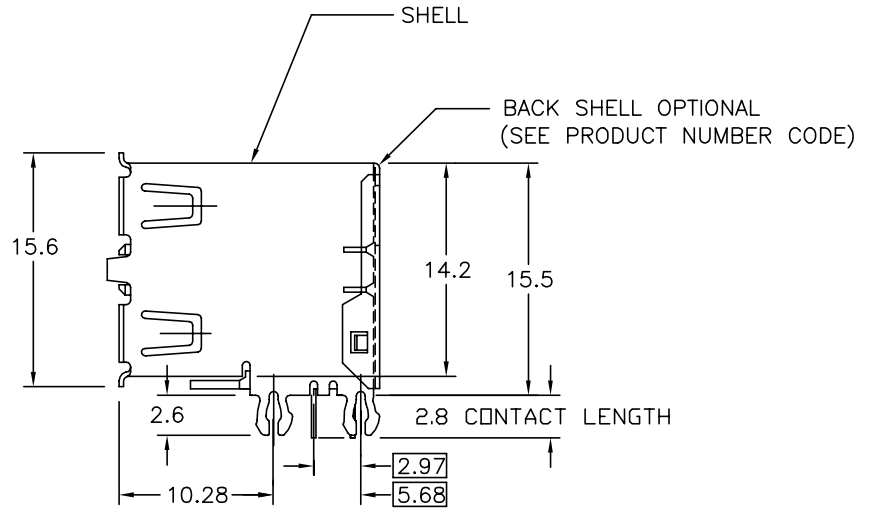
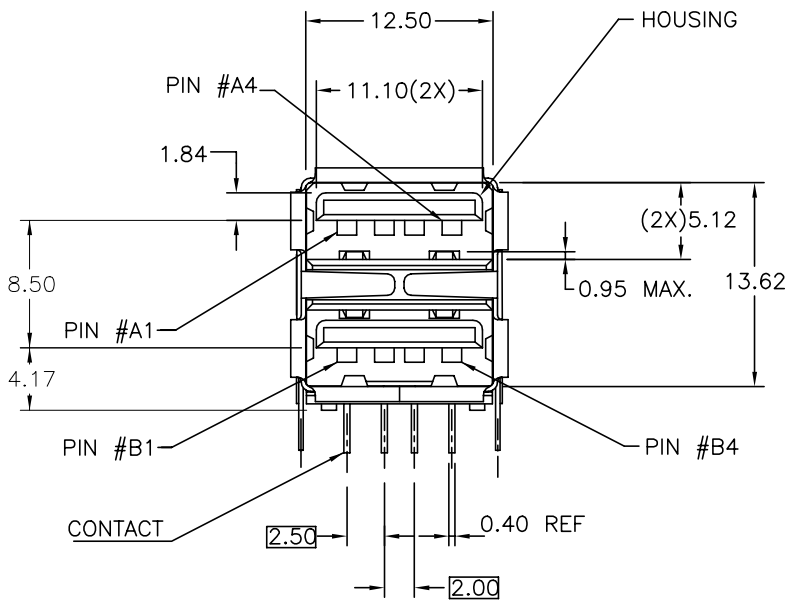
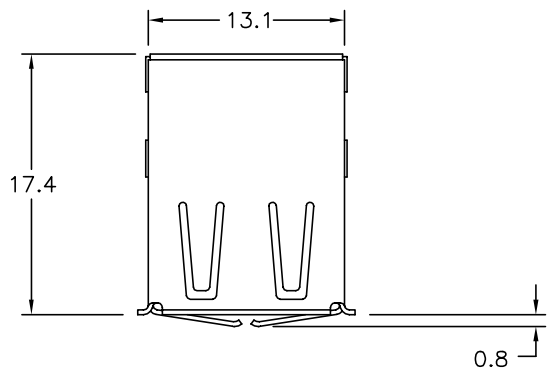
STATUS: Release 22520 Printed: Sep 08, 2011

cage code

4

Tous droits strictement reserves. Reproduction ou communication a des tiers interdite sous quelque forme que ce soit sans autorisation ecrite du proprietaire. Propriete de ©FCI. Droits de reproduction FCI.

All rights strictly reserved. Reproduction or issue to third parties in any form whatever is not permitted without written authority from the proprietor. Property of ©FCI. Copyright FCI.



ASSEMBLY WITH BACK SHIELD  
72309 - XX4XX SHOWN

mat'l. code				tolerances unless otherwise specified				CUSTOMER COPY		 www.fciconnect.com		
ltr	ecn no	dr	date	linear	.X ±.30				projection	title		
AJ					.XX ±.20					UNIV. SERIAL BUS		
					.XXX ±.10					DOUBLE DECK RECEPTACLE		
				angles	0° ±3°				 mm	product family	code	
				dr	PETER PAM	12/01/97				USB	-	
				enr	R Y LIU	12/10/97			size	sheet		
				chr	R Y LIU	12/10/97	scale		A4	3 of 4		
				appd	JENN TSAO	12/10/97	2 : 1		72309			
sheet index	revision sheet										cage code	

Tous droits strictement reserves. Reproduction ou communication a des tiers interdite sous quelque forme que ce soit sans autorisation ecrite du proprietaire. Propriete de ©FCI. Droits de reproduction FCI.



All rights strictly reserved. Reproduction or issue to third parties in any form whatever is not permitted without written authority from the proprietor. Property of ©FCI. Copyright FCI.

PRODUCT NUMBER CODE

72309 - X X X X X P S LF

BASE PRODUCT NUMBER

HOUSING COLOR + SHELL PLATING OPTIONS

- 0 - WHITE + NICKEL & TIN LEAD PLATING
- 1 - BLACK + NICKEL & TIN LEAD PLATING
- 2 - WHITE + NICKEL PLATING ONLY
- 3 - BLACK + NICKEL PLATING ONLY
- 4 - WHITE + NICKEL PLATING ONLY + LCP HSG
- 5 - BLACK + NICKEL PLATING ONLY + LCP HSG
- 6 - BLACK + NICKEL & TIN LEAD PLATING + LCP HSG
- 7 - BLACK + NICKEL & BRIGHT TIN PLATING
- 8 - WHITE + NICKEL & BRIGHT TIN PLATING
- 9 - BLACK + NICKEL & BRIGHT TIN PLATING +LCP HSG
- A - BLACK + NICKEL & MATTE TIN PLATING +LCP HSG
- S - BLACK + NICKEL PLATING ONLY + LCP HSG

SHELL PLATING OPTION

- 0 - BARREL-PLATING
- 1 - PRE-PLATING

SHELL OPTIONS

- 1 - NO BACK SHIELD, NO ARMS, FRONT GROUNDING ARMS
- 2 - BACK SHIELD, NO FRONT GROUNDING ARMS
- 3 - NO BACK SHIELD, FRONT GROUNDING ARMS
- 4 - BACK SHIELD, FRONT GROUNDING ARMS

TERMINAL OPTION

- 3 - 50u" Ni UNDERPLATE,30u" GXT CONTACT AREA,100u" MATTE TIN TAIL AREA  
2.80mm TAIL LENGTH
- 4 - 50u" Ni UNDERPLATE,30u" GXT CONTACT AREA,100u" MATTE TIN TAIL AREA  
2.80mm TAIL LENGTH
- 5 - 50u" Ni UNDERPLATE,30u" GOLD CONTACT AREA,100u" MATTE TIN TAIL AREA  
3.94mm TAIL LENGTH

PACKAGING OPTIONS

- B - TUBES
- R - TAPE & REEL

WITH DATE CODE

ONLY FOR PANASONIC

LEAD FREE MARK

LEAD FREE CONVERSION RULES -

HOUSING COLOR AND SHELL PLATING OPTION: 0 TO 8, 1 TO 7, 6 TO 9

TERMINAL PLATING OPTION: 0 TO 4, 2 TO 3

SPECIFICIAL SHELL MATERIAL FOR 12K CYCLES DURABILITY,  
PART NUMBER: 72309-S033XPLF/-S034XPLF

NOTE:

AVAILABLE P/N'S IN FCI NOW FOLLOWED:

- 72309-0010X/8014XLF
- 72309-0012X/8013XLF
- 72309-0020X/8024XLF
- 72309-0022X/8023XLF
- 72309-0030X/8034XLF
- 72309-0032X/8033XLF
- 72309-0040X/8044XLF
- 72309-0042X/8043XLF
- 72309-1010X/7014XLF
- 72309-1012X/7013XLF
- 72309-1020X/7024XLF
- 72309-1022X/7023XLF
- 72309-1030X/7034XLF
- 72309-1032X/7033XLF
- 72309-1040X/7044XLF
- 72309-1042X/7043XLF
- 72309-0110X/8114XLF
- 72309-0112X/8113XLF
- 72309-0120X/8124XLF
- 72309-0122X/8123XLF
- 72309-0130X/8134XLF
- 72309-0132X/8133XLF
- 72309-0140X/8144XLF
- 72309-0142X/8143XLF
- 72309-1110X/7114XLF
- 72309-1112X/7113XLF
- 72309-1120X/7124XLF
- 72309-1122X/7123XLF
- 72309-1130X/7134XLF
- 72309-1132X/7133XLF
- 72309-1140X/7144XLF
- 72309-1142X/7143XLF
- 72309-2010X/2014XLF
- 72309-2012X/2013XLF
- 72309-2020X/2024XLF
- 72309-2022X/2023XLF
- 72309-2030X/2034XLF
- 72309-2032X/2033XLF
- 72309-2040X/2044XLF
- 72309-2042X/2043XLF
- 72309-3010X/3014XLF
- 72309-3012X/3013XLF
- 72309-3020X/3024XLF
- 72309-3022X/3023XLF
- 72309-3030X/3034XLF
- 72309-3032X/3033XLF
- 72309-3040X/3044XLF
- 72309-3042X/3043XLF
- 72309-4040X/4044XLF
- 72309-5012X/5013XLF
- 72309-5030X/5034XLF
- 72309-5040X/5044XLF/5044XSLF
- 72309-5140X/5144XLF
- 72309-6220X/9224XLF
- 72309-A034XLF
- 72309-3015XLF
- 72309-3045XLF
- 72309-S033XPLF
- 72309-S034XPLF

Tous droits strictement reserves. Reproduction ou communication a des tiers interdite sous quelque forme que ce soit sans autorisation ecrite du propriétaire. Propriete de FCI. Droits de reproduction FCI.



All rights strictly reserved. Reproduction or issue to third parties in any form whatever is not permitted without written authority from the proprietor. Property of FCI. Copyright FCI.

A

B

mat'l. code		NOTE 1 & 2		tolerances unless otherwise specified		CUSTOMER COPY		FCI www.fciconnect.com		
ltr	ecn no	dr	date	linear	projection	title UNIV. SERIAL BUS DOUBLE DECK RECEPTACLE				
AJ						angles			code -	
				dr	FUSSELMAN	5/10/96	mm	product family USB		sheet
				enr	J. DAVID	5/10/96		size dwg no		4 of 4
				chr	J.DAVID	6/29/96	scale 2:1	A4		72309
				appd	J.DAVID	6/29/96				
sheet index	revision sheet									