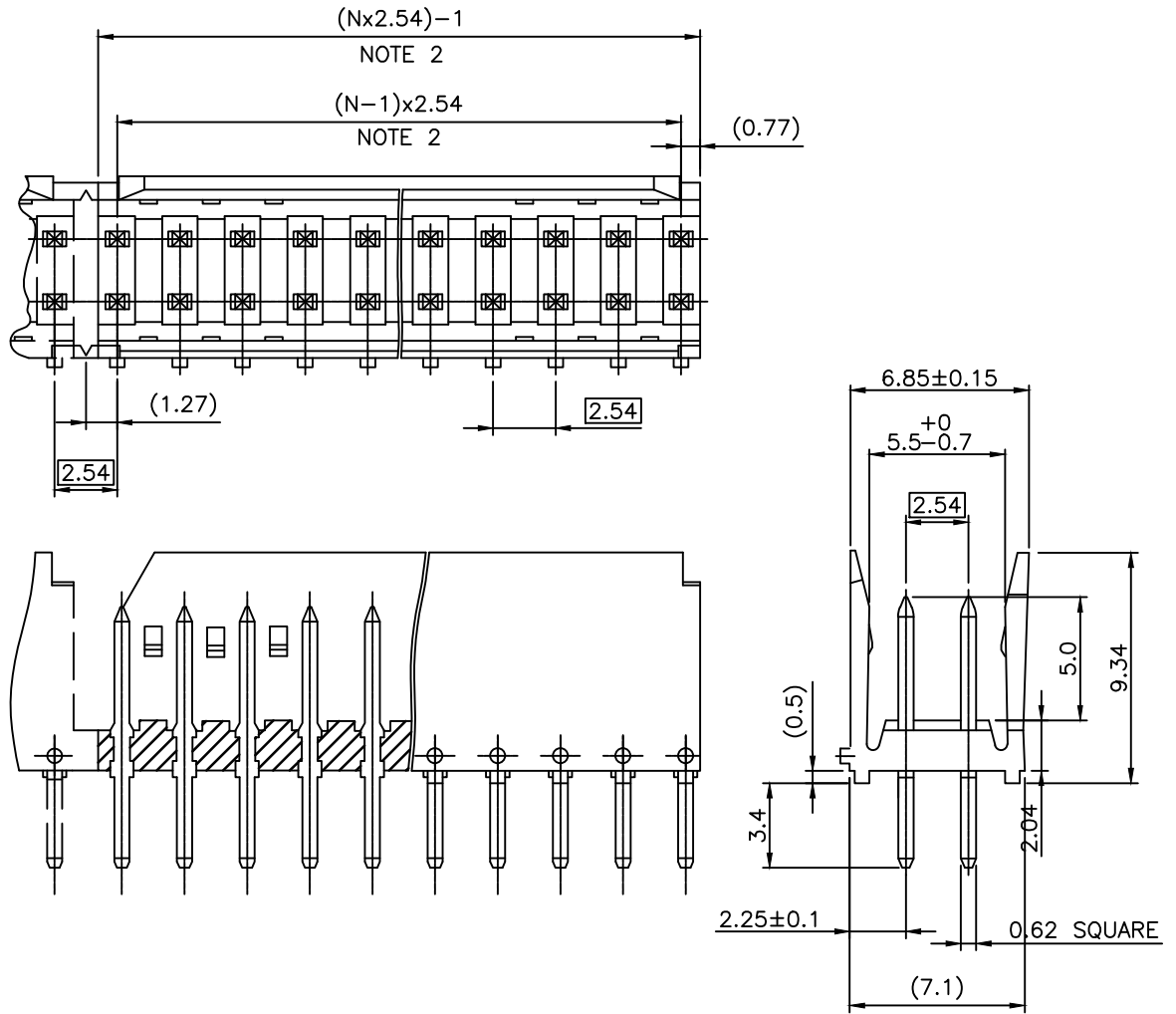
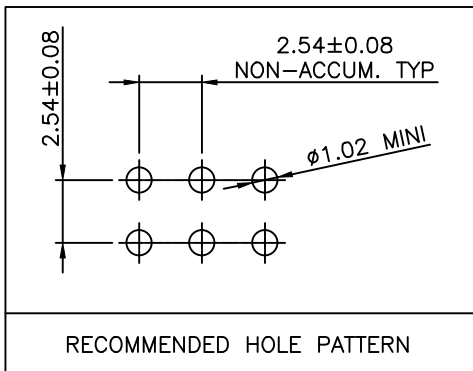


PRODUCT NUMBER  
SEE SHEET 2



NOTES :

- MINI PUSH-OUT FORCE TERMINAL IN BOTH DIRECTIONS 22N.
- TO DETERMINE DIMENSIONS:  
N = NUMBER OF POSITIONS PER ROW  
EXAMPLE: 8 POS:  $(N \times 2.54) - 1 = 19.32$  mm



mat'l. code SEE NOTES				surface ISO 1302 ✓		tolerance ISO 406 ISO 1101		projection mm		product family DUBOX	
tr ecn no dr date				tolerances unless otherwise specified		.X ±0.3		mm		title SHR. HEADER STR DR TMT	
P F07-0220 JCO 07.06.14				angles		.XX ±0.15		scale 5:1		dwg no 76385	
R F08-0147 YOV 08.04.14				linear		.XXX ±0.05		sheet 1 of 2		size A3	
S B-19286 AMA 14.11.03				dr G CORBOZ		01.01.12		FCJ		type CUSTOMER Drawing	
T B-21014 BVE 15.06.01				engr P NIZZI		01.01.12					
M F06-0228 LMU 06.07.11				chr D LEGRAND		01.01.12					
N F07-0147 LMU 07.03.01				app P N		01.01.12					
sheet index		revision		T G							
sheet		sheet		1 2							

RoHS COMPLIANT PRODUCT NUMBER

76385-YXXLF

PLATING CODE

RoHS COMPLIANT, SEE NOTE 5

3= 0.76µm GOLD/GXT ON CONTACT AREA.

2µm MIN MATTE TIN ON TAILS.

4= 2µm MIN MATTE TIN FULL PLATED

NUMBER OF POSITIONS PER ROW: 02 TO 18

1.27µm Ni MIN UNDERPLATING

NOTES:

- 1 - HOUSING MAT'L: THERMOPLASTIC GLASS FILLED  
FLAME RETARDANT PER UL 94 V-O COLOR: BLACK.
- 2 - TERMINAL MATERIAL: COPPER ALLOY.
- 3 - 2 UP TO 6 POSITIONS PER ROW, PRODUCT PACKED IN PLASTIC BAG.  
7 UP TO 18 POSITIONS PER ROW, PRODUCT PACKED IN TUBE.
- 4 - ONLY DASH NUMBER -X02 AND -X03  
ALWAYS TEN (10) PRODUCTS MOLDED ASSEMBLY  
& DELIVERED TON STRIP ACCORDING PHANTOM LINES.
- 5 - RoHS COMPATIBLE PRODUCT SPECIFICATIONS
  - a - PLATING:
    - "LF" MEANS THE PRODUCT IS LEAD-FREE,  
2µm MINIMUM MATTE TIN OVER 1.27µm  
MINIMUM NICKEL UNDERPLATE.
  - b - MANUFACTURING PROCESS COMPATIBILITY
    - THE HOUSING WILL WITHSTAND EXPOSURE TO  
260°C ±5°C SOLDER BATH TEMPERATURE FOR  
5 SECONDS IN A WAVE SOLDER APPLICATION  
WITH A 1.6mm MIN THICK CIRCUIT BOARD.
  - c - LABELING:
    - MEETS PACKAGING SPECS AS PER GS-14-920
  - d - LEGAL STATEMENT: SEE GS-47-0004

mat'l. code		surface		tolerance		projection		product family	
SEE NOTES		ISO 1302 ✓		ISO 406 ISO 1101				DUBOX	
ltr	ecn no	dr	date	tolerances unless otherwise specified		mm		title	
				angles	linear	.X ±0.3		SHR. HEADER STR DR TMT	
B	F06-0106	LMU	06.01.12			.XX ±0.15			
C	F06-0228	LMU	06.07.11			.XXX ±0.05			
						scale 5:1		dwg no	
D	F07-0147	LMU	07.03.01	dr	L.MULIN	05.03.31		sheet 2 of	
E	F07-0220	JCO	07.06.14	engr	J.COMPAGNON	05.03.31		size	
F	F08-0147	YOV	08.04.14	chr				A3	
G	B-19286	AMA	14.11.03	app	JM.C	05.03.31		type	
sheet	revision								
index	sheet								



Copyright FCI