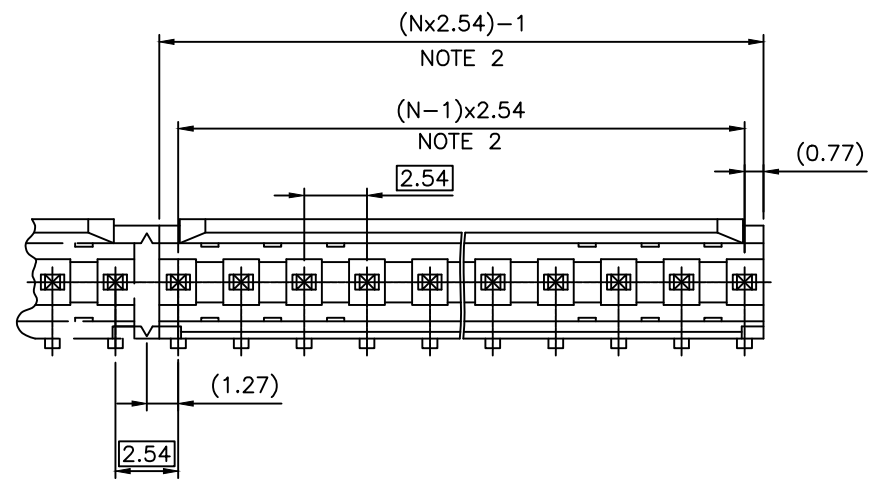
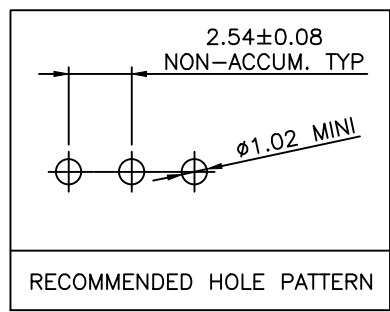
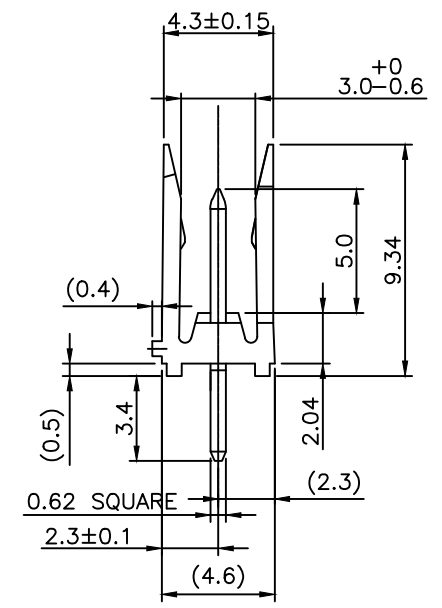
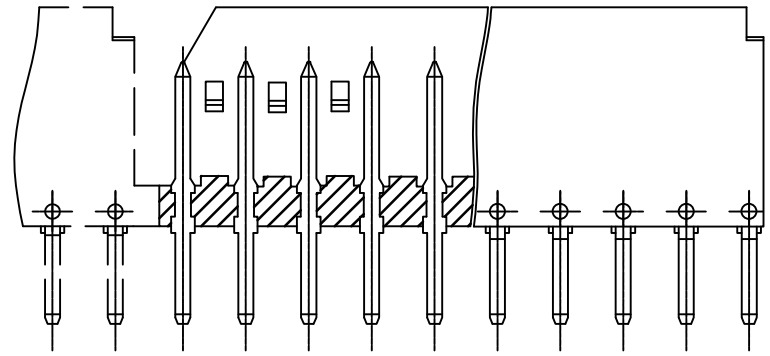


PRODUCT NUMBER
SEE SHEET 2



NOTES :

1. MINI PUSH-OUT FORCE TERMINAL IN BOTH DIRECTIONS 22N.
2. TO DETERMINE DIMENSIONS:
N = NUMBER OF POSITIONS PER ROW
EXAMPLE: 8 POS: (Nx2.54)-1=19.32 mm



mat'l. code		surface		tolerance		projection		product family	
SEE NOTES		ISO 1302 ✓		ISO 406 ISO 1101		mm		DUBOX	
ltr	ecn no	dr	date	tolerances unless otherwise specified		mm		title	
N	F06-0228	LMU	06.07.11	angles	linear	.X	±0.3	SHR. HEADER	
P	F06-0319	LMU	06.11.10			.XX	±0.15	STR SR TMT	
R	F07-0147	LMU	07.03.01			.XXX	±0.05	scale 5:1	
S	F07-0220	J.CO	07.06.14	dr	D LEGRAND		99.03.03	dwg no	
T	F08-0147	YOV	08.04.14	enqr	JM PHAMVAN		99.03.03	sheet 1 of 2	
U	B-19286	AMA	14.11.03	chr	JM PHAMVAN		99.03.03	size	
V	B-21014	BVE	15.06.01	appd	JM PHAMVAN		99.03.03	A3	
sheet	revision	V	F					type	
index	sheet	1	2					CUSTOMER Drawing	



FCIconnect.com

Copyright FCI

RoHs COMPLIANT PRODUCT NUMBER

76384-YXXLF

PLATING CODE _____

RoHs COMPLIANT, SEE NOTE 5

3= 0.76µm GOLD/GXT ON CONTACT AREA.

2µm MIN MATTE TIN ON TAIL.

4= 2µm MIN MATTE TIN FULL PLATED

NUMBER OF POSITIONS: 02 TO 18

1.27µm Ni MIN UNDERPLATING

NOTES:

- 1 - HOUSING MAT'L: THERMOPLASTIC GLASS FILLED
FLAME RETARDANT PER UL 94 V-0 COLOR: BLACK.
- 2 - TERMINAL MATERIAL: COPPER ALLOY.
- 3 - 2 UP TO 6 POSITIONS, PRODUCT PACKED IN PLASTIC BAG.
7 UP TO 18 POSITIONS, PRODUCT PACKED IN TUBE.
- 4 - ONLY DASH NUMBER -X02 AND -X03
ALWAYS TEN (10) PRODUCTS MOLDED ASSEMBLY
& DELIVERED ON STRIP ACCORDING PHANTOM LINES.
- 5 - RoHS COMPATIBLE PRODUCT SPECIFICATIONS
 - a - PLATING:
 - "LF" MEANS THE PRODUCT IS LEAD-FREE,
2µm MINIMUM MATTE TIN OVER 1.27µm
MINIMUM NICKEL UNDERPLATE.
 - b - MANUFACTURING PROCESS COMPATIBILITY
 - THE HOUSING WILL WITHSTAND EXPOSURE TO
260°C ±5°C SOLDER BATH TEMPERATURE FOR
5 SECONDS IN A WAVE SOLDER APPLICATION
WITH A 1.6mm MIN THICK CIRCUIT BOARD.
 - c - LABELING:
 - MEETS PACKAGING SPECS AS PER GS-14-920
 - d - LEGAL STATEMENT: SEE GS-47-0004

mat'l. code		surface		tolerance		projection		product family	
SEE NOTES		ISO 1302 ✓		ISO 406 ISO 1101				DUBOX	
ltr	ecn no	dr	date	tolerances unless otherwise specified		mm		title	
A	F05-0159	LMU	05.03.31	angles	linear	.X ±0.3		SHR. HEADER	
B	F06-0228	LMU	06.07.11			.XX ±0.15		STR SR TMT	
C	F07-0147	LMU	07.03.01			.XXX ±0.05		scale 5:1	
D	F07-0220	JCO	07.06.14	dr	L.MULIN	05.03.25		dwg no	
E	F08-0147	YOV	08.04.14	engr	J.COMPAGNON	05.03.25		sheet 2 of	
F	B-19286	AMA	14.11.03	chr				size	
				app	JM.C	05.03.25		76384	
sheet index		revision sheet		type		CUSTOMER Drawing		A3	