

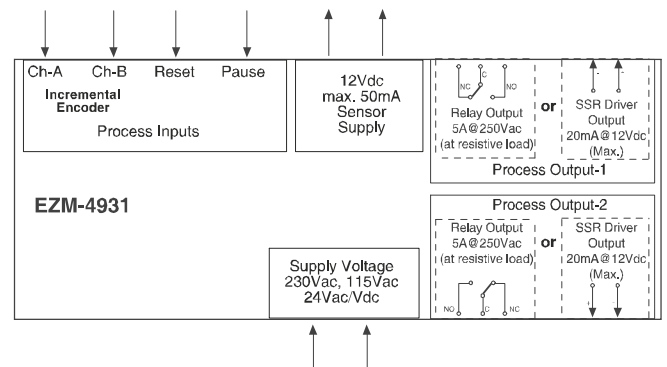


200KHz Programmable
Fast Counter

EZM-4931



- Incremental Encoder Input
- Operation with 2 SET Values
- 6 digits process (PV) and 6 digits SET (SV) Value Display
- Reset, Pause and ChA-ChB Counting Inputs
- Operation with Automatic and Manual Reset
- NPN/PNP Input Types
- x1 / x2 / x4 Phase Shifting Property
- Multiplication Coefficient, Division Coefficient and Point Position
- Parametric, Two Point (Low Scale - High Scale) and Multiplication - Division Coefficient
- RS-232 Serial Communication with ModBus RTU Protocol
- Input Frequency Max. 200KHz
- Maximum Input Frequency Selection
- Password Protection for Program Parameters



Specification

Inputs

Reset Input: Switch, proximity or capacitive sensor can be connected.
 Pause Input: Switch, proximity or capacitive sensor can be connected.
 Encoder Input: Incremental
 Sensor Type Selection: NPN or PNP can be selected.

Output

Process Output: Relay (5A@250Vac at resistive load)
 SSR Output (10mA@5Vdc)

Environmental Ratings and Physical Specification

Operating Temperature: 0...50°C
 Humidity : 0-90%RH (non condensing)
 Protection Class: Ip65 at Front, Ip20 at rear

Dimensions

EZM-4931, 96x48mm, Depth: 86,5mm

Supply Voltage

230 Vac (-15%;+10%) 50/60 Hz - 2.3VA
 115 Vac (-15%;+10%) 50/60 Hz - 2.3VA
 24 Vac (-15%;+10%) 50/60 Hz - 2.3VA
 (Must be determined in order)

Encoder Supply Voltage:
 5Vdc or 12 Vdc (Max. 50mA)