

THIS DRAWING IS UNPUBLISHED
 VERTRÄULICHE UNVERÖFFENTLICHTE ZEICHNUNG
 © COPYRIGHT 2014 Tyco Electronics AMP GmbH

RELEASED FOR PUBLICATION
 FREI FUER VERÖFFENTLICHUNG
 2014
 ALL RIGHTS RESERVED.
 ALLE RECHTE VORBEHALTEN.

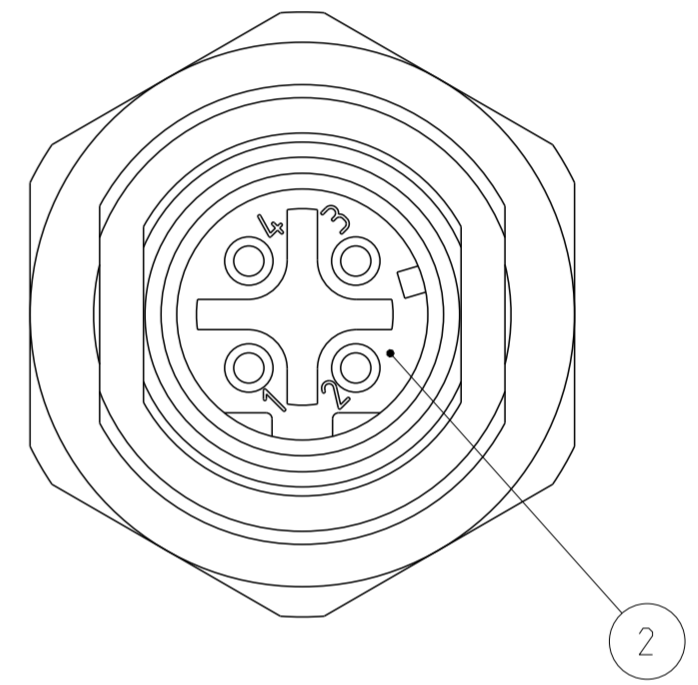
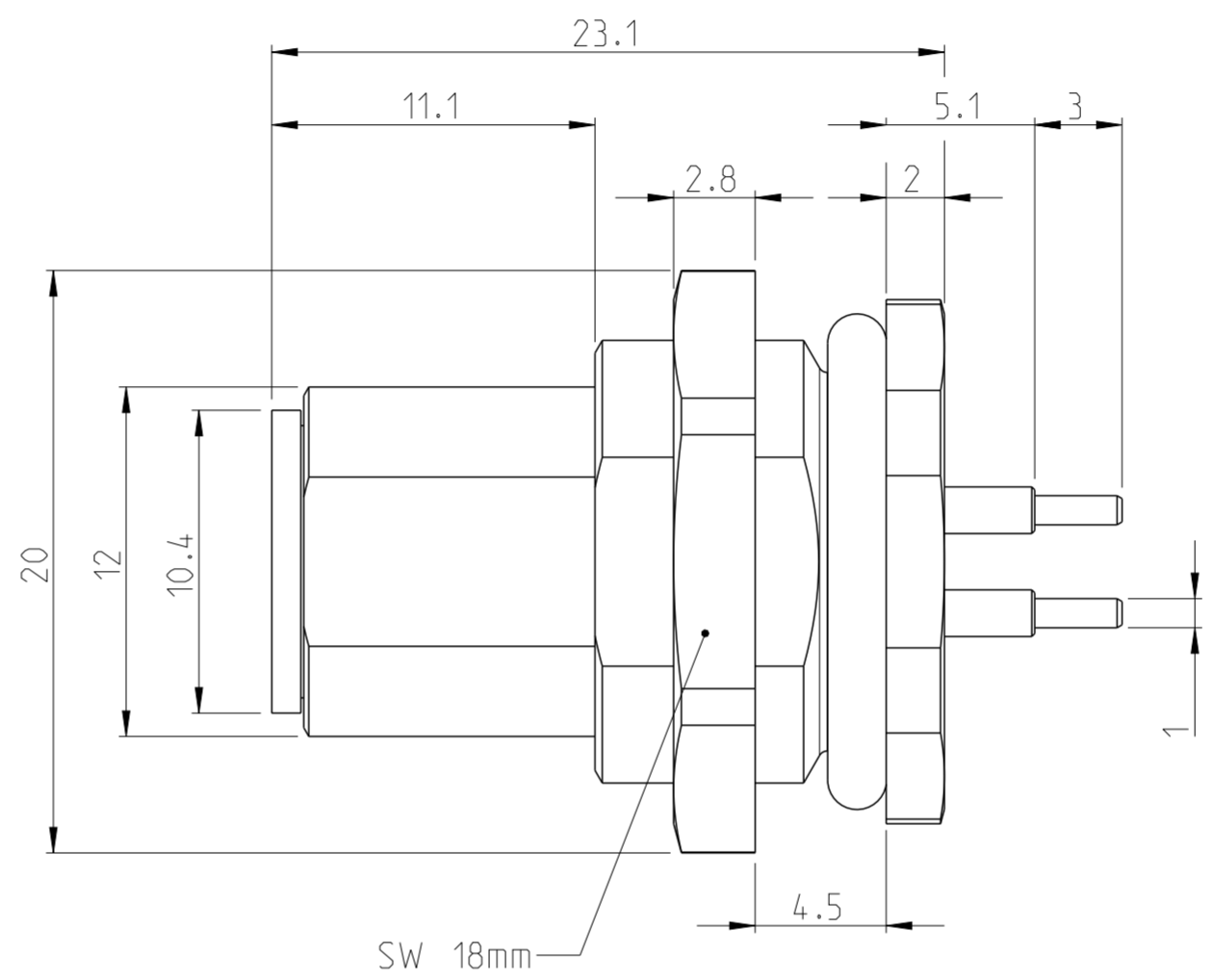
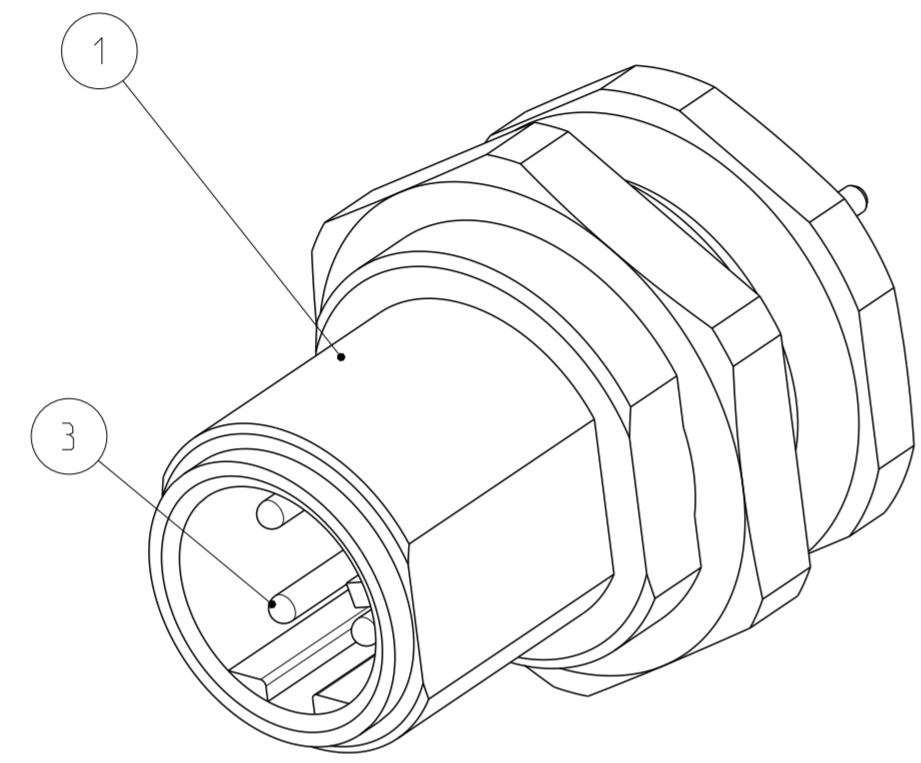
MATED WITH:
 PASSEND ZU:

PROJEKT NR.:
 PRJ-14-00000805

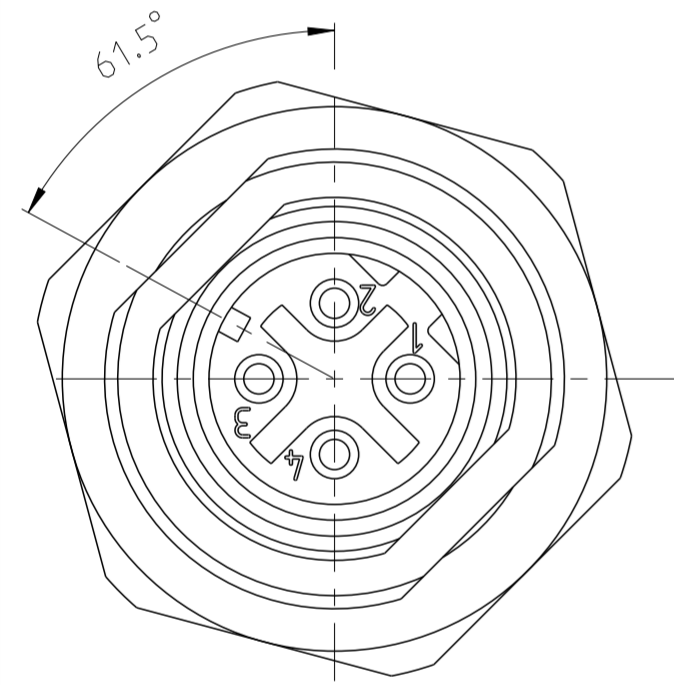
REVISIONS				
ÄNDERUNGEN				
P	LTR	DESCRIPTION	DATE	APVD
	A2	ADDED PCB LAYOUT IN DRAWING	23FEB2015	KR MB

1 MATERIAL: ITEM NO. 1: HOUSING - BRASS NICKEL PLATED
 ITEM NO. 2: CONTACT BODY - PA
 ITEM NO. 3: CONTACT - CuSn
 CONTACT FINISH - Au

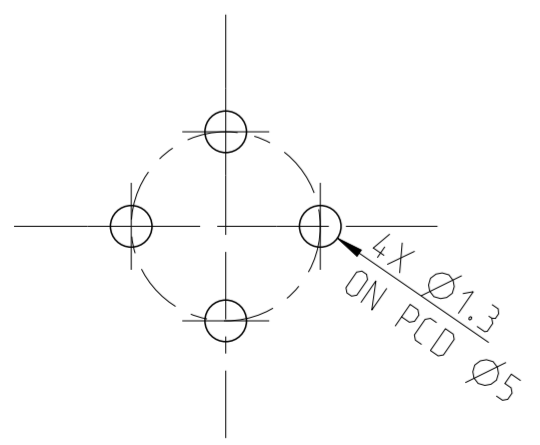
2 ALL DIMENSIONS ARE FOR NOMINAL REFERENCE ONLY UNLESS OTHERWISE STATED
 3 PACKAGING: 20 PIECES IN A TRAY / BLISTER



PIN ARRANGEMENT
 D-CODING
 3-2271142-2



PCB LAYOUT



TECHNICAL DATA		3-2271142-2
RATED VOLTAGE		250V
RATED IMPULSE VOLTAGE		2500V
POLLUTION DEGREE		3
OVERVOLTAGE CATEGORY		II
MATERIAL GROUP		II
RATED CURRENT		4A
VOLUME RESISTIVITY		≤ 3mΩ
DEGREE OF PROTECTION		IP68
UPPER TEMPERATURE		+85 °C
LOWER TEMPERATURE		-40 °C

SIZE ISO 14405 (E)

DIESE ZEICHNUNG IST EIN KONTROLLIERTES DOKUMENT. BEMASSUNGEN UND TOLERANZEN GEMAESS GPS (ISO STANDARDS).		DWN YASHKUMAR 23MAY2014
THIS DRAWING IS A CONTROLLED DOCUMENT. DIMENSIONING AND TOLERANCING PER GPS (ISO STANDARDS).		CHK M.STRELOW 23MAY2014
DIMENSIONS: MASSEINHEITEN: (MM)	TOLERANCES UNLESS OTHERWISE SPECIFIED: ALLGEMEINTOLERANZEN	APVD C.SCHREITLINGER 23MAY2014
	0 PLC ± 1 PLC ± 2 PLC ± 3 PLC ± 4 PLC ± ANGLES/WINKEL ±	NAME M12 MALE PCB MOUNTED CONNECTOR STRAIGHT D-CODING
MATERIAL SEE NOTES	FINISH/OBERFLÄCHE/FARBE SEE NOTES	PRODUCT SPEC 108-19483
		APPLICATION SPEC 114-32127
		WEIGHT GEWICHT -
		Customer Drawing

	4	3-2271142-2
MATERIAL	NUMBER OF POLES	TE-PART-NO.
STE TE Connectivity		
SIZE	CAGE CODE	DRAWING NO. ZEICHNUNGS-NR.
A2	00779	C-2271142
SCALE MASSSTAB	4:1	SHEET BLATT
		1 OF 1
		REV A2