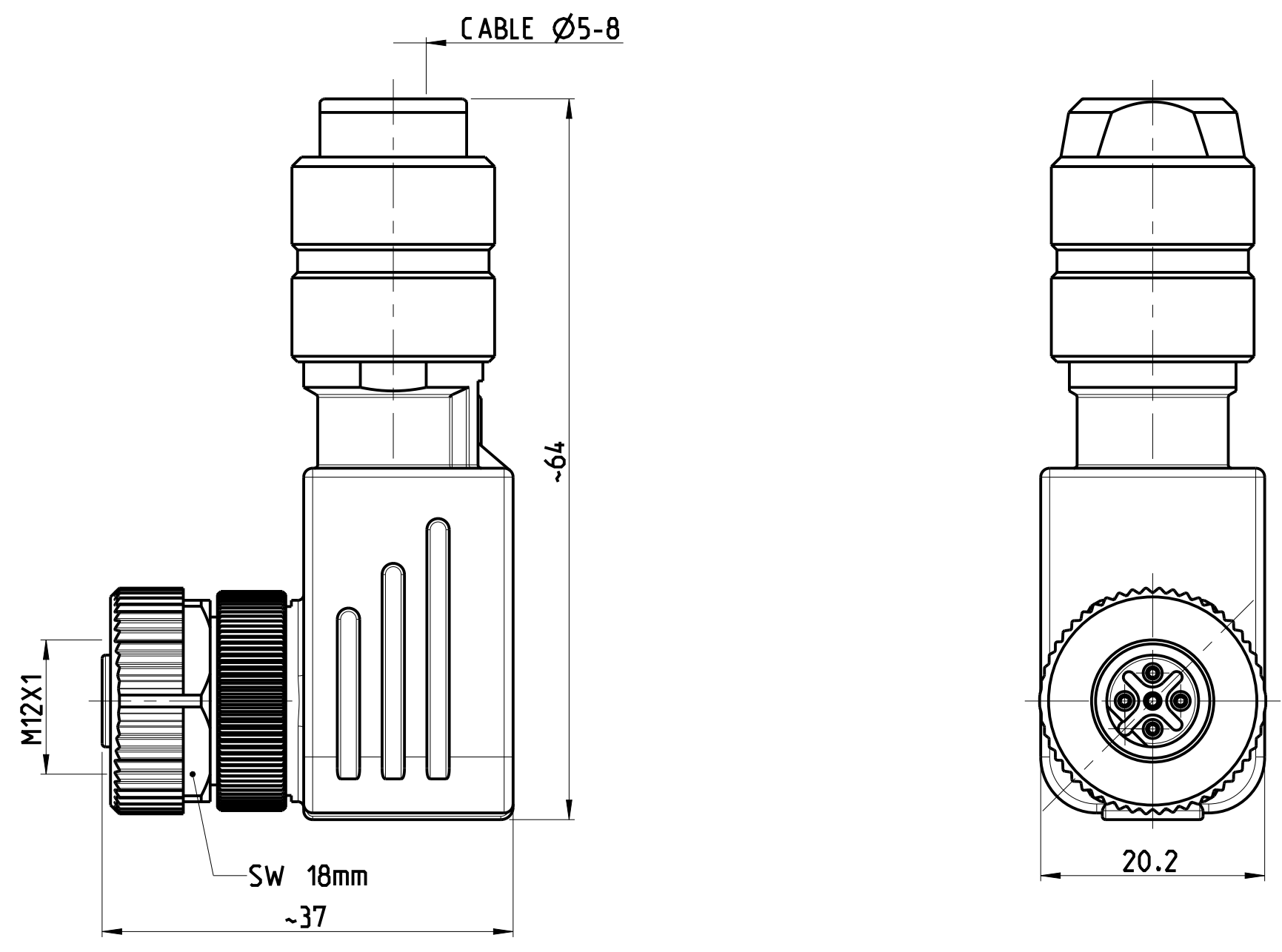


REVISIONS				
NO.	DESCRIPTION	DATE	DWN	APVD
A2	DESCRIPTION CORRECTED FROM SOLDER TO SCREW TERMINAL IN TITLE BLOCK	13NOV2014	CR	JK

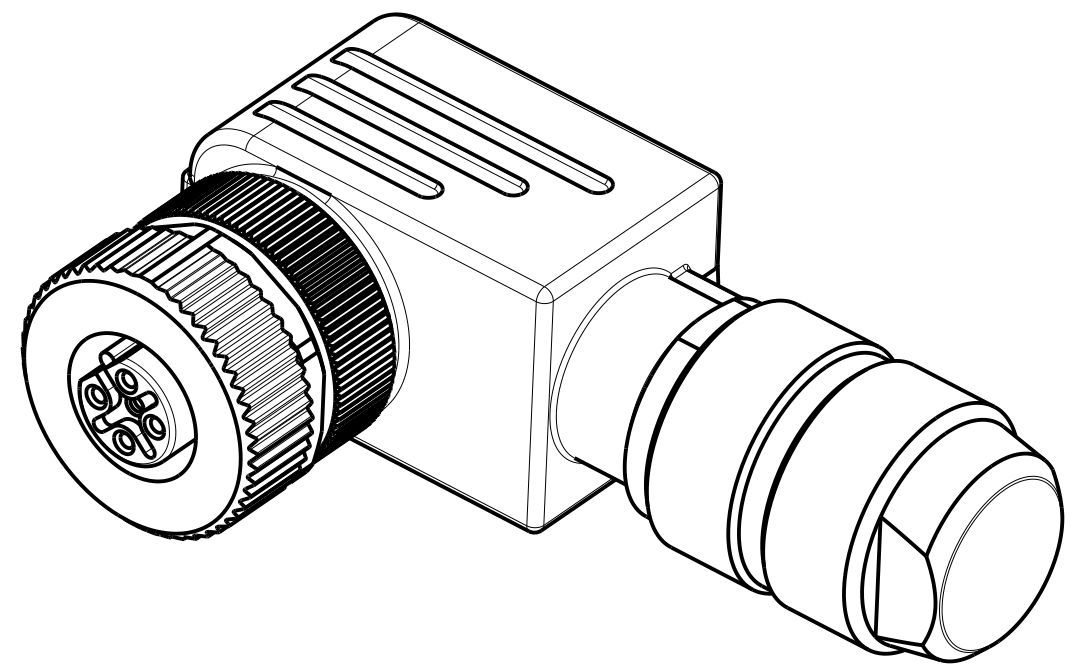
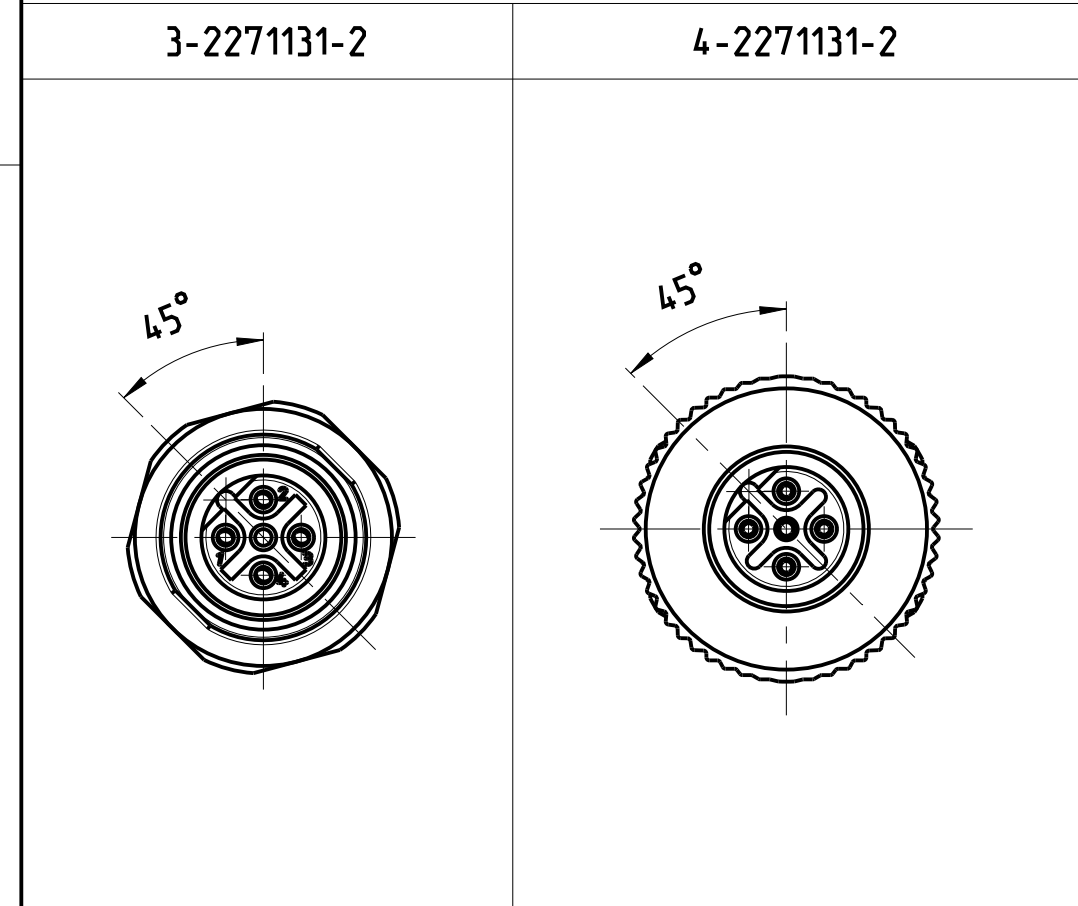
⚠ MATERIAL: ITEM NO. 1: HOUSING - ZINC DIECASTING, NICKEL PLATED, PBT  
 ITEM NO. 2: CONTACT BODY - PA  
 ITEM NO. 3: CONTACT - CuSn (brass)  
 CONTACT FINISH - Au (gold)

- 2 ALL DIMENSIONS ARE FOR NOMINAL REFERENCE ONLY UNLESS OTHERWISE STATED
- 3 MEASUREMENT REFERENCE ONLY
- 4 PACKAGING: 1 PIECE IN A BAG

TECHNICAL DATA	3-2271131-2	4-2271131-2
RATED VOLTAGE	250V	125V
RATED IMPULSE VOLTAGE	2500V	1500V
POLLUTION DEGREE	3	3
OVERVOLTAGE CATEGORY	II	II
MATERIAL GROUP	III	III
RATED CURRENT	4A	4A
VOLUME RESISTIVITY	≤ 3mΩ	≤ 3mΩ
DEGREE OF PROTECTION	IP67	IP67
UPPER TEMPERATURE	+85 °C	+85 °C
LOWER TEMPERATURE	-40 °C	-40 °C



PIN ARRANGEMENT B-CODING (SCALE 2:1)



4-2 AS SHOWN WIE GEZEICHNET

CABLE FEED-THROUGH	WIRES	MATERIAL	NUMBER OF POLES	TE-PART-NO.
5-8	20 / 0.50mm <sup>2</sup>	⚠	5	4-2271131-2
5-8	20 / 0.50mm <sup>2</sup>	⚠	4	3-2271131-2

DIESE ZEICHNUNG IST EIN KONTROLLIERTES DOKUMENT. BEMASSUNGEN UND TOLERANZEN GEMAESS GPS (ISO STANDARDS). THIS DRAWING IS A CONTROLLED DOCUMENT. DIMENSIONING AND TOLERANCING PER GPS (ISO STANDARDS).

DIMENSIONS: MASSE/MASSSTAB: IT/IT1	TOLERANCES UNLESS OTHERWISE SPECIFIED: ALLGEMEINTOLERANZEN	DWN YASHKUMAR 22MAY2014	TE Connectivity
		CHK M.STRELOW 22MAY2014	
		APVD C.SCHREITLINGER 22MAY2014	
		NAME	
MATERIAL	ANGLES/WINKEL FINISH/OBERFLAECHE/FARBE	PRODUCT SPEC	M12 RECEPTACLE, 90 DEG ANGLED FIELD INSTALLABLE, SHIELDED CONNECTOR, SCREW TERMINAL, B-CODING
		APPLICATION SPEC	SIZE CAGE CODE DRAWING NO. ZEICHNUNGS-NR.
		WEIGHT GEWICHT	A2 00779 C-2271131
		Customer Drawing	RESTRICTED TO MUR FUER
		SCALE MASSSTAB 2:1	SHEET BLATT 1 OF 1 REV A2

SIZE ISO 14405 (E)