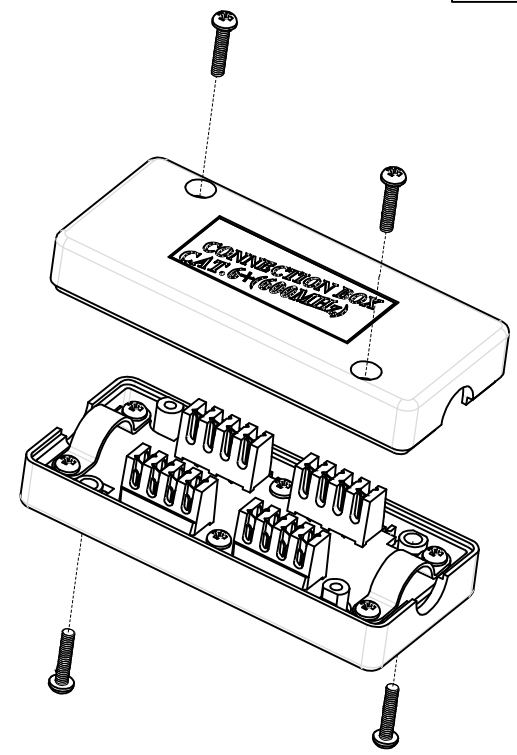
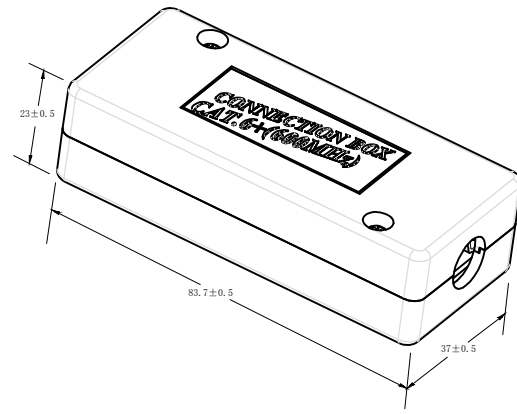


# PIN OUT:

W-BR	BR	W-BR	BR	W-BL	BL	W-BL	BL
7	8	7	8	4	5	4	5
W-G	G	W-G	G	W-O	O	W-O	O
3	6	3	6	1	2	1	2
W-G	G	W-G	G	W-O	O	W-O	O
3	6	3	6	1	2	1	2
W-BR	BR	W-BR	BR	W-BL	BL	W-BL	BL
7	8	7	8	4	5	4	5

A2



### Electrical Specifications:

Insulation Resistance: 500M ohms (min.)  
 Contact Resistance: 20m ohms (max.)  
 Current Rating: 1.5 Amps  
 Withstanding Voltage: 1000 VAC RMS@60Hz/1 min.

### Environmental:

Operation temperature: -10°C ~ +70°C  
 Storage temperature: -40°C ~ +85°C  
 Operation humidity: 30%~80%  
 Storage humidity: 30%~80%  
 weight of unit (w/o packing): 38.0g

### Accessory:

1. Screw-type Strain Relf (ST2.9X12 4PCS, ST2.9X5 4PCS, ST2.9X13.5 2PCS)
2. Cable Inlet (4Pcs.)
3. With Adhesive Tapes For Fixing
4. Instruction Sheet

PACKING: 1PCS/Renkfroce box  
 RoHS2.0 AND REACH COMPLIANT

⑤	Box Cover	Fireproof PC/ABS U1-94V0 (black)/Inside metalized	1	
④	Box Base	Fireproof PC/ABS U1-94V0 (black)/Inside metalized	1	
③	PCB	FR-4/1.6mm UL-94V0	1	
②	IDC Pin	Bronze & Tinned	16	
①	IDC teminal	For 22-26 AWG Cable	16	
NO.	PARTS NAME	SPECIFICATION STANDARD	QT' Y	REMARK
		NEW	2015. 11. 18	A
BY	CHK	REVISION RECORD MODIFICATIONS	DATE	REV.

UNO ELECTRONIC LIMITED (HK)									
CUSTOMER		CEI Conrad Electronic International (HK) Ltd		FILE NO.		29212c46			
PRODUCT NAME		CAT.6+ Connection box		UNO ITEM NO.		227000		UNIT	MM
DRAWNBY		CHECKBY		APPOBY		DATE			
FERGUS						2015. 11. 18			