

**SPECIFICATION:**

Current rating: 6 A  
Voltage rating: 60 V DC max.  
Contact resistance: 5 mΩ max.  
Operating temperature: -25°C up to 85°C

**MATERIAL:**

Housing: PA6  
Contact: CuZn39Pb3-F51  
Nuts: CuZn39Pb3-F51

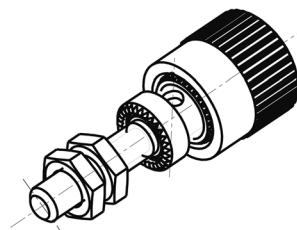
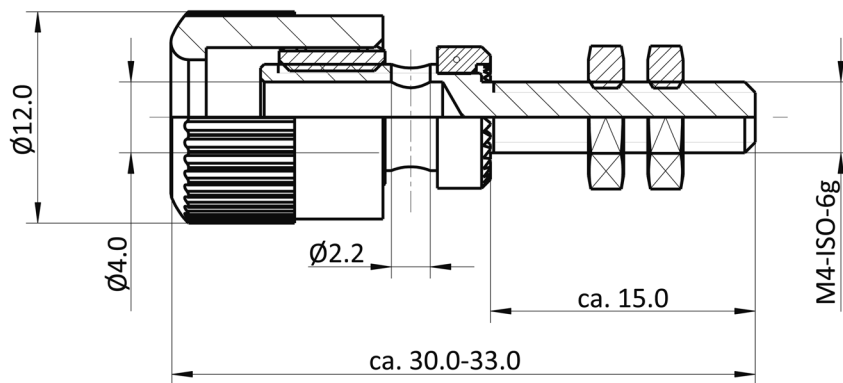
**FINISH:**

Contact: Glossy nickel plated 3-5 μm  
Nuts: Glossy nickel plated 3-5 μm

**HANDLING:**

Packing: Bulk

RoHS  
COMPLIANT



**Order-Information**

Identifier:

AK4

Pole Clamp 4.0 mm partially insulated

Colour:

#

- SW: black \*
- SRT: signal red \*
- BL: blue \*
- GE: yellow \*
- GN: green \*
- WS: white
- GR: grey
- BR: brown
- OR: orange

\* = standard