

SPECIFICATION:

Current rating: 6 A
Voltage rating: 60 V DC max.
Contact resistance: 5 mΩ max.
Operating temperature: -25°C up to 85°C

MATERIAL:

Housing: PA6
Contact: CuZn39Pb3-F51
Nuts: CuZn39Pb3-F51
Washer: CuZn39Pb3-F51

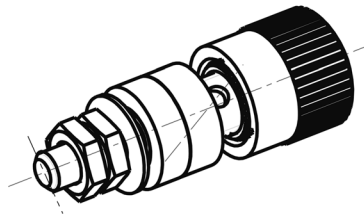
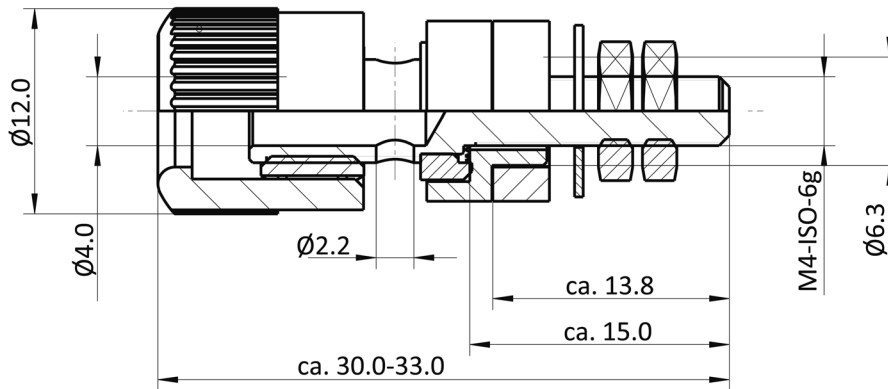
FINISH:

Contact: Glossy nickel plated 3-5 μm
Nuts: Glossy nickel plated 3-5 μm
Washer: Glossy nickel plated 3-5 μm

HANDLING:

Packing: Bulk

RoHS
COMPLIANT



Order-Information

Identifier:

AK5

Colour:

#

Pole Clamp 4.0 mm with insulated lead-in

SW: black *

SRT: signal red *

BL: blue *

GE: yellow *

GN: green *

WS: white

GR: grey

BR: brown

OR: orange

* = standard