

SPECIFICATION:

Current rating: 16 A
Voltage rating: 60 V DC max.
Contact resistance: 5 mΩ max.
Operating temperature: -25°C up to 85°C

MATERIAL:

Housing: PA6
Contact: CuZn39Pb3-F51
Nuts: CuZn39Pb3-F51
Washer: ST2K60

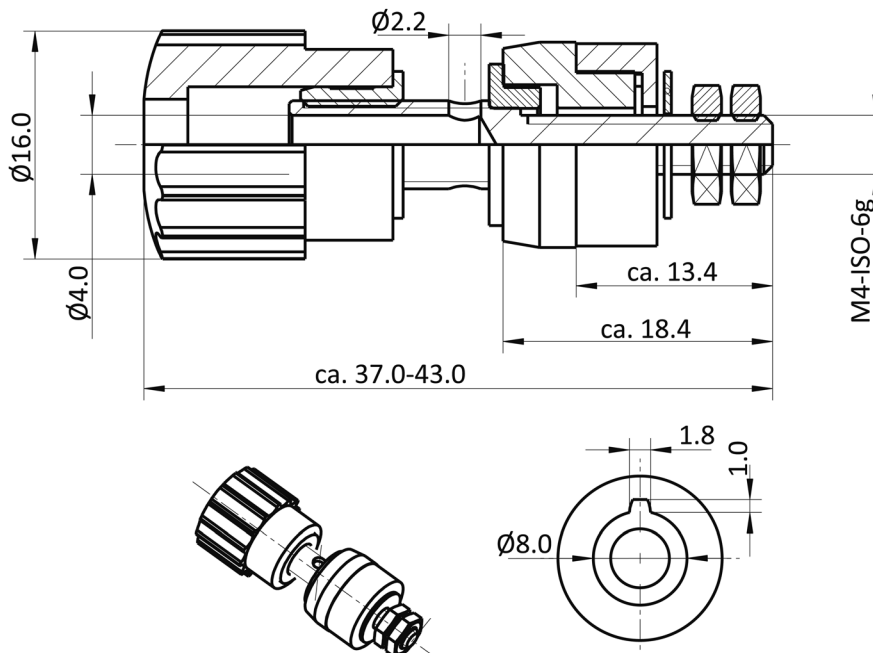
FINISH:

Contact: Glossy nickel plated 3-5 μm
Nuts: Glossy nickel plated 3-5 μm
Washer: Glossy nickel plated 3-5 μm

HANDLING:

Packing: Bulk

RoHS
COMPLIANT



Order-Information

Identifier:

AK6

Colour:

#

Pole Clamp 4.0 mm insulated with anti-twist device

SW: black *
SRT: signal red *
BL: blue *
GE: yellow *
GN: green *
WS: white
GR: grey
BR: brown
OR: orange

* = standard