

## P/N: T199163

### Copyright

© 2015, FLIR Systems, Inc.

All rights reserved worldwide. Names and marks appearing herein are either registered trademarks or trademarks of FLIR Systems and/or its subsidiaries. All other trademarks, trade names or company names referenced herein are used for identification only and are the property of their respective owners.

### Document identity

Publ. No.: T199163  
 Release:  
 Commit: 28462  
 Language: en-US  
 Modified: 2015-09-15  
 Formatted: 2015-10-17

### Disclaimer

Specifications subject to change without further notice. Camera models and accessories subject to regional market considerations. License procedures may apply. Products described herein may be subject to US Export Regulations. Please refer to [exportquestions@flir.com](mailto:exportquestions@flir.com) with any questions.

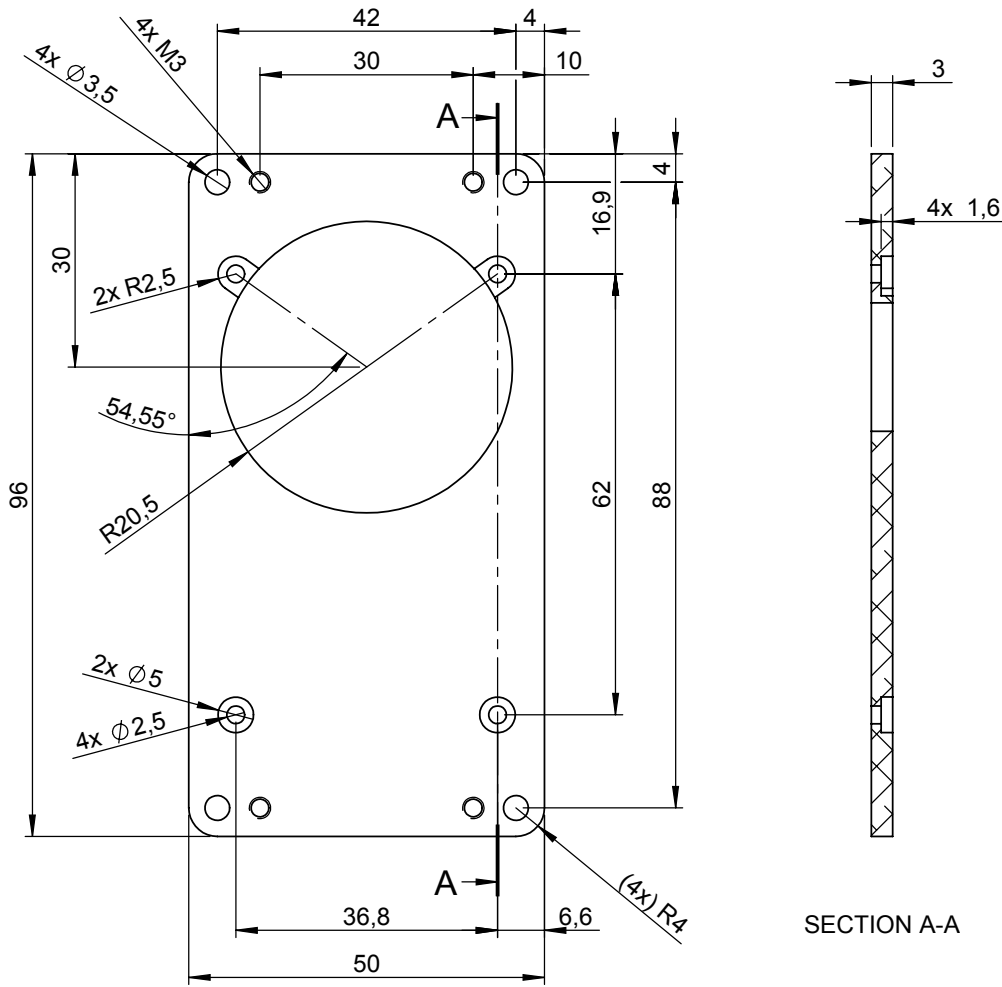


<b>General description</b>	
Front mounting plate kit for mounting a FLIR AX8 camera. Includes cooling bracket.	
<b>Physical data</b>	
<b>Shipping information</b>	
Packaging, type	Cardboard box
List of contents	<ul style="list-style-type: none"> <li>• Front mounting plate</li> <li>• Cooling bracket</li> <li>• Screws</li> </ul>
Packaging, weight	0.269 kg (0.59 lb.)
Packaging, size	183 × 136 × 63 mm (7.2 × 5.4 × 2.5 in.)
EAN-13	4743254002135
UPC-12	845188011659
Country of origin	Sweden x

### Compatible with the following products

- 71201-0101; FLIR AX8 9 Hz

This document must not be communicated or copied completely or in part, without our permission. Any infringement will lead to legal proceedings. FLIR SYSTEMS AB



Handling får ej delges annan, kopieras i  
 hel eller delar utan vårt medgivande.  
 Ändring härav beivras med stöd av gällande lag.  
 FLIR SYSTEMS AB

Konstr/Drawn <b>J. MÄKINEN</b>	Datum/Date 2015-03-06	Kontr/Check HAOS	Material EN AW-5052 or EN AW-5754			
Ändrad av/Modified by <b>J. MÄKINEN</b>	Ändrad/Modified 2015-05-21	Ytjämnhet/Roughness Ra    μm	Ytbehandling/Surface treatment			
Där ej annat anges/Unless otherwise stated Gen tol <b>ISO 2768-mK</b> Utdrag ur/Excerpt from ISO 2768-m	Benämning/Denomination <b>Plate mounting front</b>			Skala/Scale 1:1		Blad/Sheet 1(1)
0,5-6    ±0,1    Hålkårsradier (6)-30    ±0,2    Fillet radii (30)-120 ±0,3				Art.No.		Size <b>A4</b>
				Ritn nr/Drawing No		Rev

This document is the property of FLIR SYSTEMS AB. Any reproduction, copying, distribution or use of this document without the prior written permission of FLIR SYSTEMS AB is prohibited. Any infringement will lead to legal proceedings.

Detta dokument är FLIR SYSTEMS AB:s egendom. Detta dokument är avsett för användning av FLIR SYSTEMS AB. Förbehålls rätten till ändring utan vidare avisering. Förbehålls rätten till återkallning av detta dokument utan vidare avisering. Förbehålls rätten till lagliga åtgärder mot olovligt innehåll.

