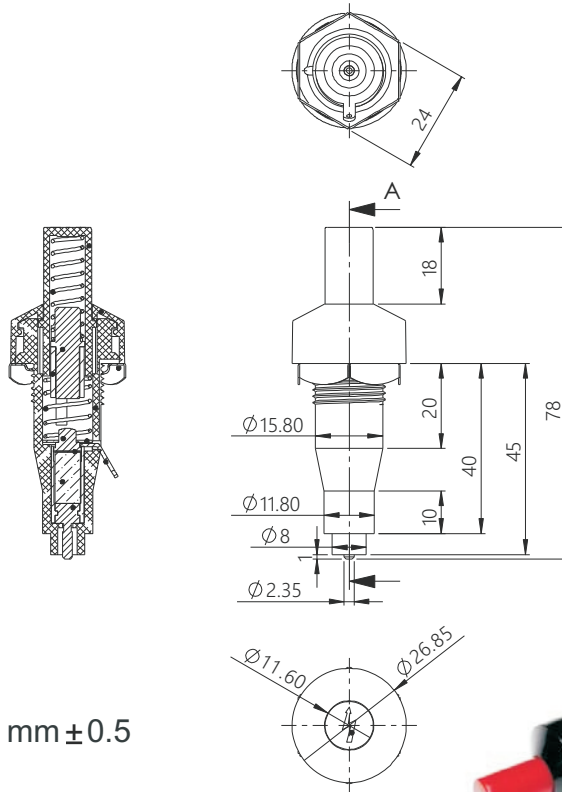


Piezoelectricity Mechanism

Version 08/16

Item no.: 1407433



Dimension: mm \pm 0.5



Output voltage.....	$\geq 16\text{KV}$
Weight	26.5 g
Storage Temperature.....	-40~70°C
Operating Temperature.....	-10~60°C
Relative Humidity.....	95%RH

Distributed by Conrad Electronic SE

This data sheet is a publication by Conrad Electronic SE, Klaus-Conrad-Str.1, D-92240 Hirschau (www.conrad.com). All rights including translation reserved. Reproduction by any method, e.g. photocopy, microfilming, or the capture in electronic data processing systems require the prior written approval by the editor. Reprinting, also in part, is prohibited. This data represent the technical status at the time of printing. Changes in technology and equipment reserved.