

# UNIVERSAL ENCLOSURES

## Room Sensor Enclosure

Room Sensor style enclosures designed for wall mount applications.

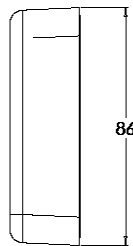
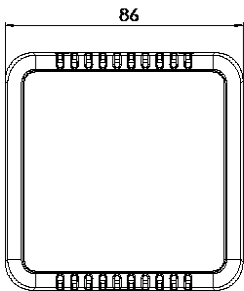
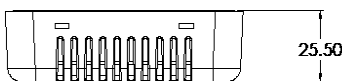
- Moulded in ABS **UL94-V0**
- Front and back clip together (tool required for disassembly once wall mounted)
- Internal PCB Mount pillars moulded into the front and back sections of the housing
- Internal clips for snap-in PCB
- Recessed front face for overlay
- Recessed rear face for additional labelling
- Plain and Vented versions available
- Rear knockout for cable entry (20mm dia)
- Multiple mounting options, including **single gang UK plug back box mount points**
- Option for custom embossing on the front face

### SPECIFICATION

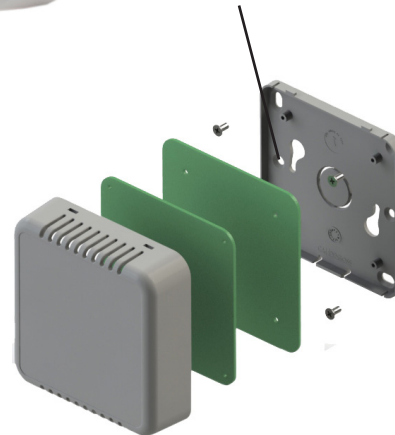
Materials	ABS UL94-V0
Operating temperature	-10°C to +80°C
Standard colour	White RAL 9003
Standard unit includes	1 x Room Sensor Enclosure



TYPE NO.	DESCRIPTION
CBRS01SWH	Room Sensor, Size 1, Solid, White
CBRS01VWH	Room Sensor, Size 1, Vented White



UK Single gang fixing points



UNIVERSAL ENCLOSURES

HAND HELD CASES

HEAVY DUTY ENCLOSURES

DIN RAIL BOXES

INTERFACE SUPPORTS

CONTROL STATIONS

DIECAST & METAL BOXES

DESKTOP & INSTRUMENT CASES

POTTING BOXES

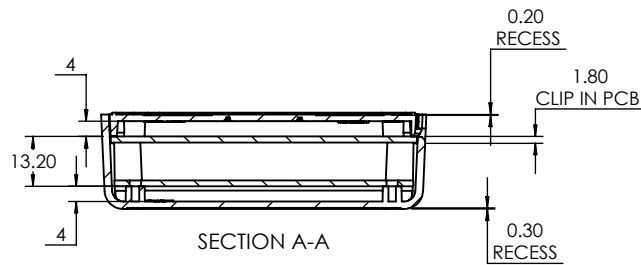
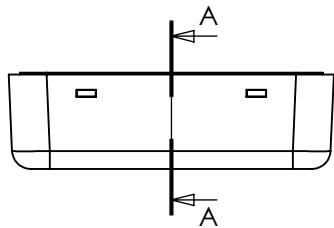
19" ENCLOSURES

19" CABINETS

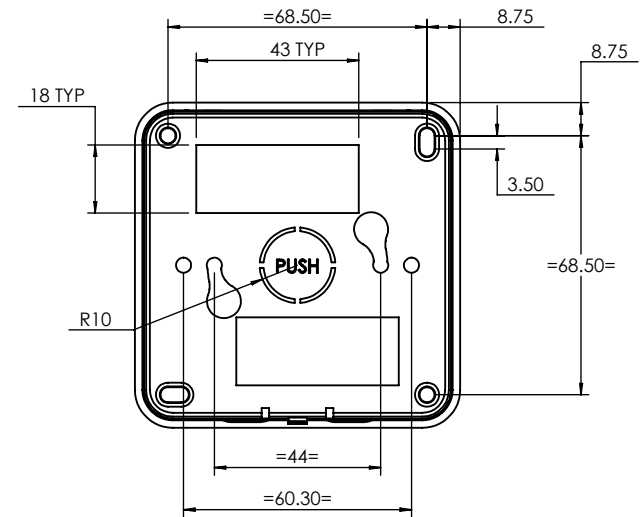
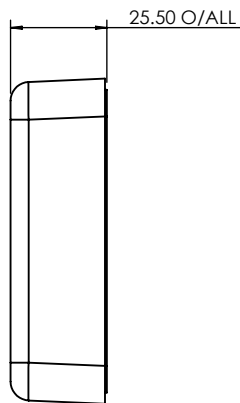
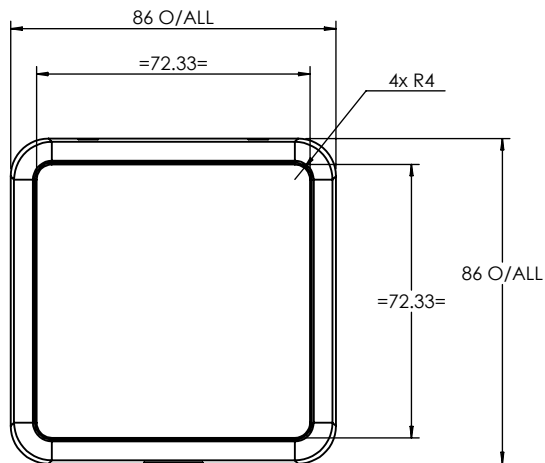
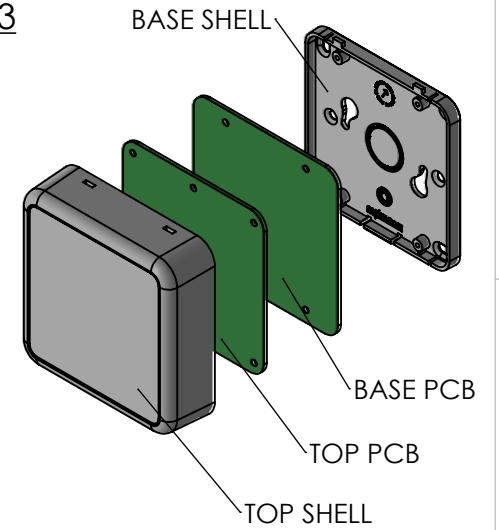
DEVELOPMENT BOARD ENCLOSURES

CUSTOM SIZED ENCLOSURES

CUSTOM SERVICES



ISO VIEW  
1:3



UNLESS OTHERWISE SPECIFIED:  
DIMENSIONS ARE IN MILLIMETERS

DO NOT SCALE DRAWING

REVISION. ○

GENERAL TOLERANCES +/- 0.2

TITLE:

DRAWING FOR PLAIN ROOM  
SENSOR

FINISH. LIGHT SPARK

MATERIAL. ABS UL 94 - V0  
RAL: 9003

DWG NO.

CBR01SWH

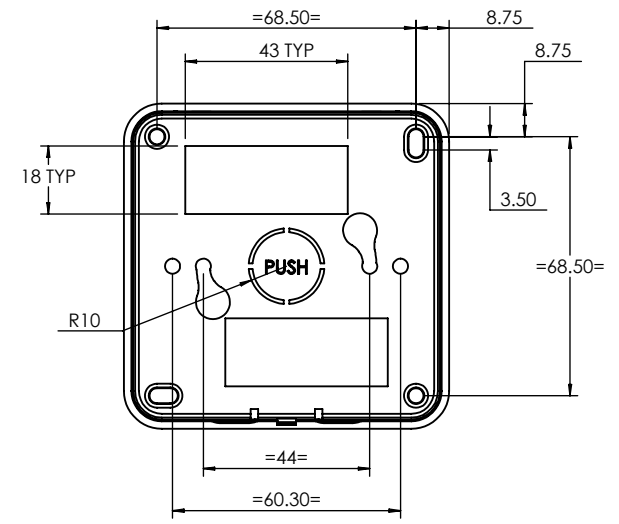
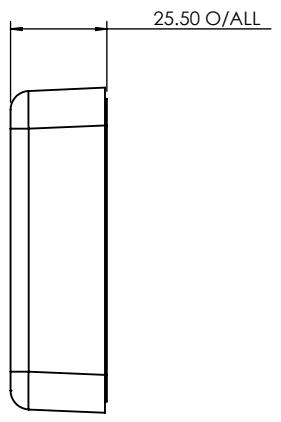
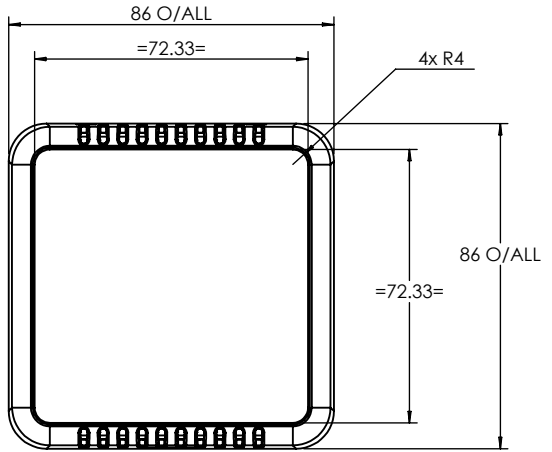
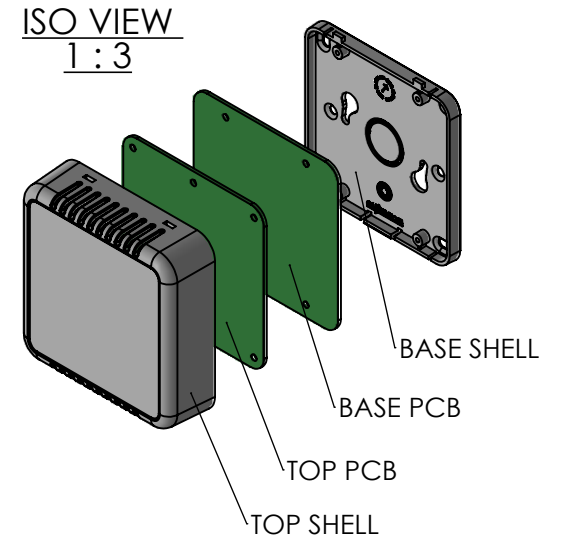
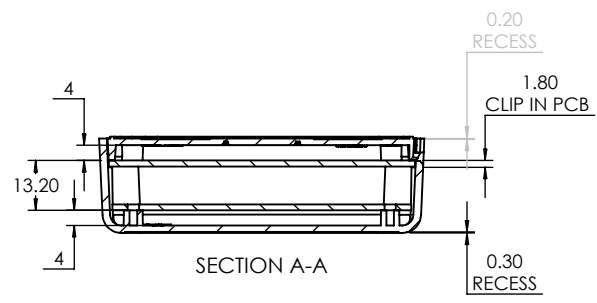
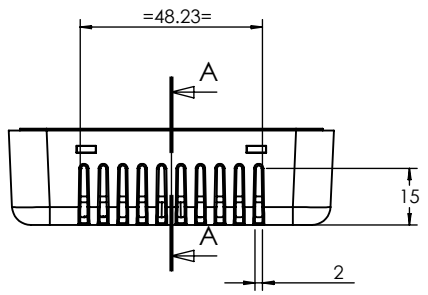
A4

	NAME	SIGNED	DATE
DRAWN	IAN PAGANO	I.P	05/01/14
CHK'D	MATHEW WALLACE	MJW	05/01/15

PROJECTION.

SCALE: 1:2

SHEET 1 OF 1



				UNLESS OTHERWISE SPECIFIED: DIMENSIONS ARE IN MILLIMETERS		DO NOT SCALE DRAWING		REVISION. <input type="checkbox"/>	
				GENERAL TOLERANCES +/- 0.2		TITLE: DRAWING FOR VENTED ROOM SENSOR			
				FINISH. LIGHT SPARK		DWG NO. CBR01VWH		A4	
DRAWN	IAN PAGANO	SIGNED	I.P.	DATE	05/01/14	MATERIAL. ABS UL 94 - V0 RAL: 9003		SCALE: 1:2	
CHK'D	MATHEW WALLACE	SIGNED	M.J.W.	DATE	05/01/14	PROJECTION.		SHEET 1 OF 1	