

DIN RAIL BOXES

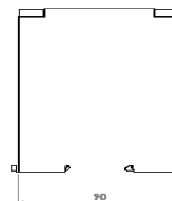
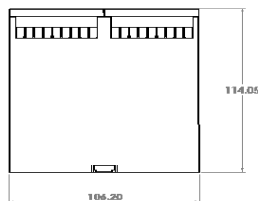
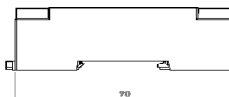
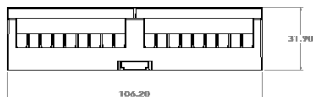
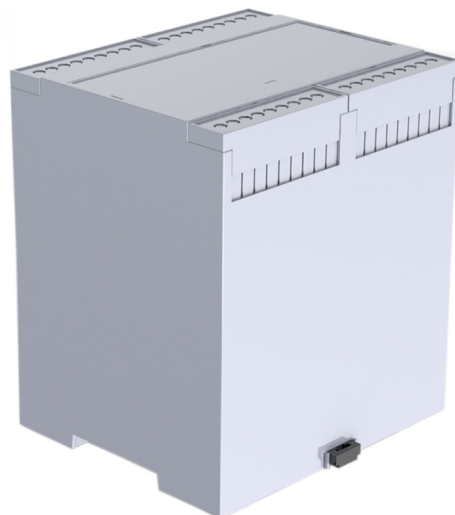
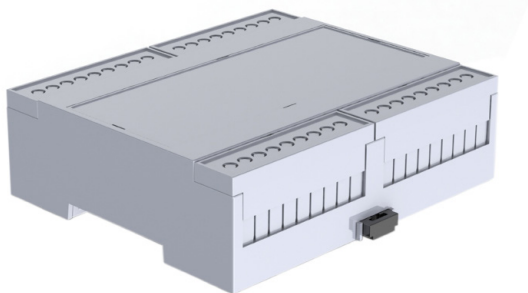
DIN Rail Instrument Boxes

Low Profile and Deep Profile DIN Rail Mount Instrument Boxes

- Designed for 35mm DIN Rail Mounting
- DIN Clips can also be used for surface mounting the housing
- Multiple snap-in PCB positions available (horizontal & vertical)
- X2 pillars in the base for screw fixing PCB
- Snap-fit Top Covers (See CNMB)
- Snap-fit Terminal Guards (See CNMB)
- Open Top and Solid Top versions available
- Low Profile and Deep Profile variants
- Enclosure base offers isolation from DIN rail
- Customisation options include cutouts, holes & vents
- Surfaces, Covers and Terminal guards easily customised and printed
- Moulded in UL94-V0 Polycarbonate

SPECIFICATION

| | |
|------------------------|---|
| Material | Base & Body- UL94-V0, Polycarbonate Clips- POM |
| Standard colours | RAL 7035 |
| Standard unit includes | Body, base & clips |
| Accessories | Terminal Guards and Covers (See CNMB) |



| PART NO. | DESCRIPTION |
|-------------|---|
| CDIB/6/L2 | CDIB, Size 6, Low Profile, Open Top, Open Sides |
| CDIB/6ST/L2 | CDIB, Size 6, Low Profile, Solid Top, Open Sides |
| CDIB/6/D2 | CDIB, Size 6, Deep Profile, Open Top, Open Sides |
| CDIB/6ST/D2 | CDIB, Size 6, Deep Profile, Solid Top, Open Sides |

UNIVERSAL ENCLOSURES

HAND HELD CASES

HEAVY DUTY ENCLOSURES

DIN RAIL BOXES

INTERFACE SUPPORTS

CONTROL STATIONS

DIECAST & METAL BOXES

DESKTOP & INSTRUMENT CASES

POTTING BOXES

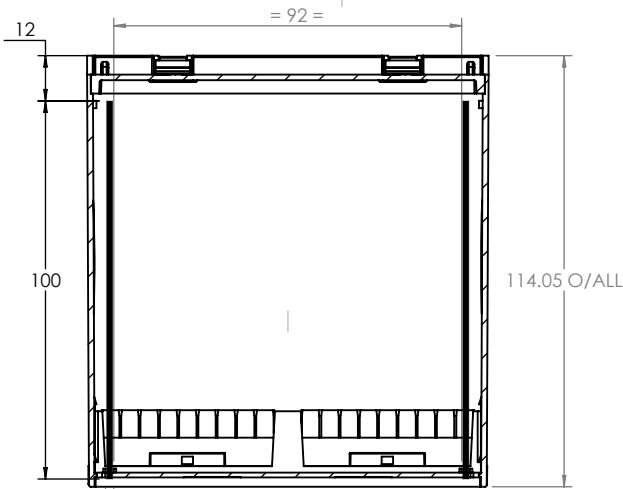
19" ENCLOSURES

19" CABINETS

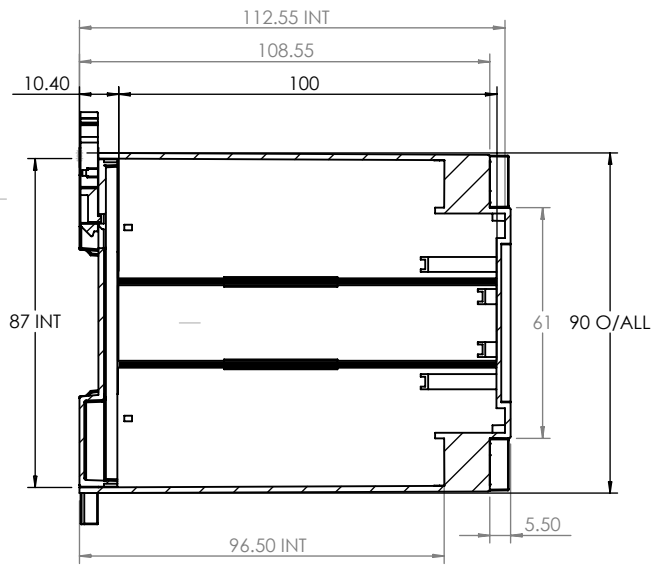
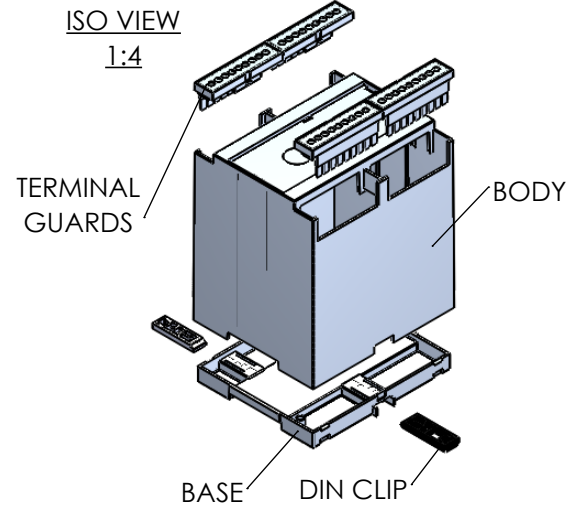
DEVELOPMENT BOARD ENCLOSURES

CUSTOM SIZED ENCLOSURES

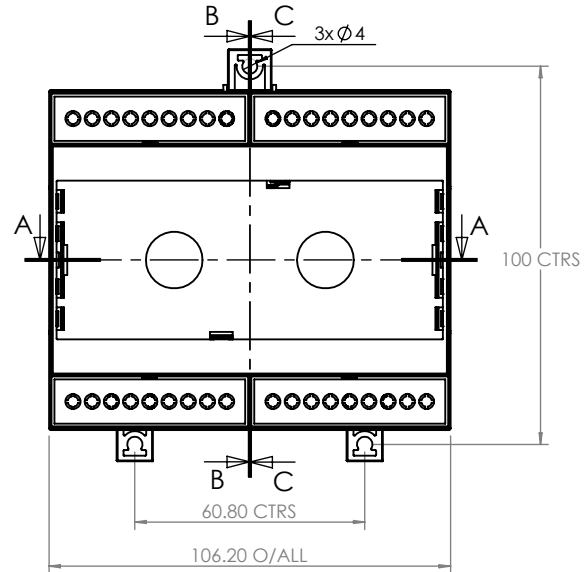
CUSTOM SERVICES



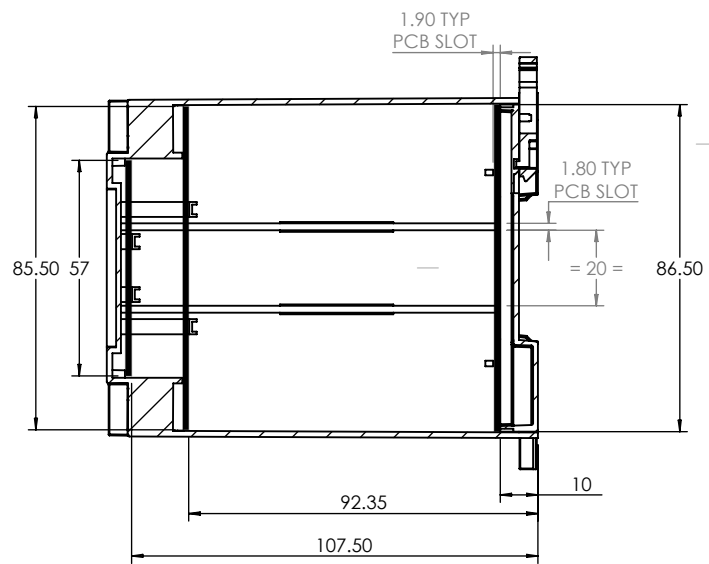
SECTION A-A



SECTION B-B



DIN CLIPS ARE SHOWN IN WALL MOUNTING POSITION



SECTION C-C



UNLESS OTHERWISE SPECIFIED:
DIMENSIONS ARE IN MILLIMETERS

DO NOT SCALE DRAWING

REVISION. ○

GENERAL TOLERANCES +/- 0.2

TITLE: **GENERAL ASSEMBLY DRAWING
FOR CDIB SERIES**

FINISH: FINE TEXTURE

| | NAME | SIGNED | DATE |
|-------|-----------------|--------|----------|
| DRAWN | MATTHEW WALLACE | MJW | 28/04/15 |
| CHKD | IAN PAGANO | IP | 29/04/15 |

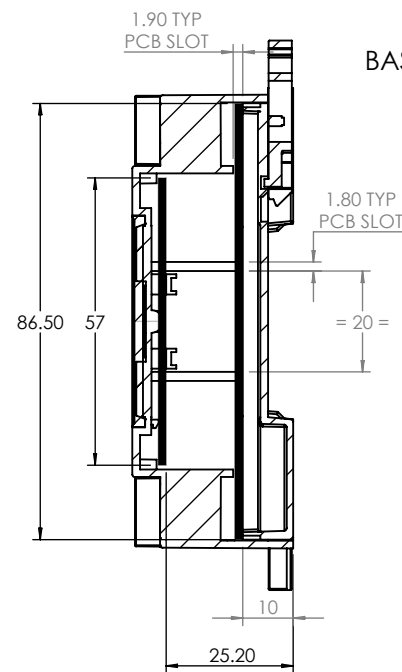
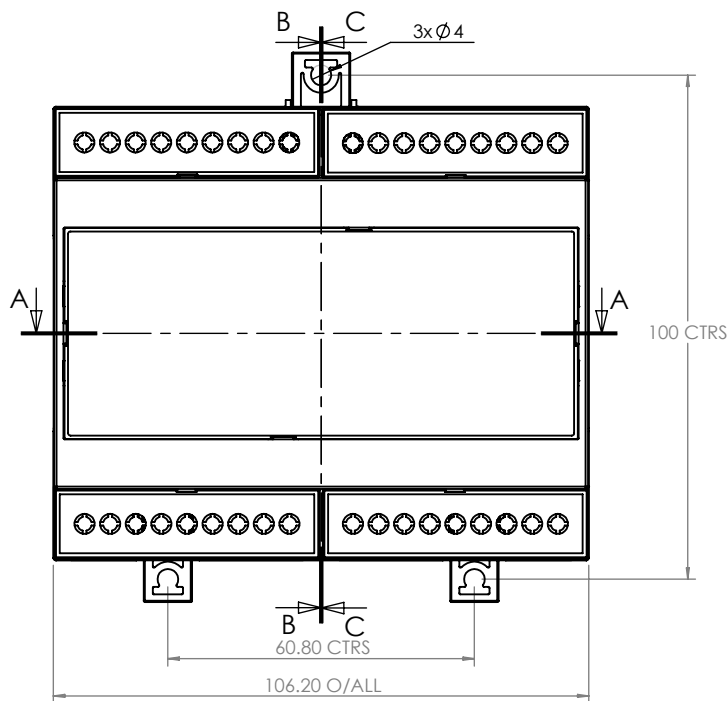
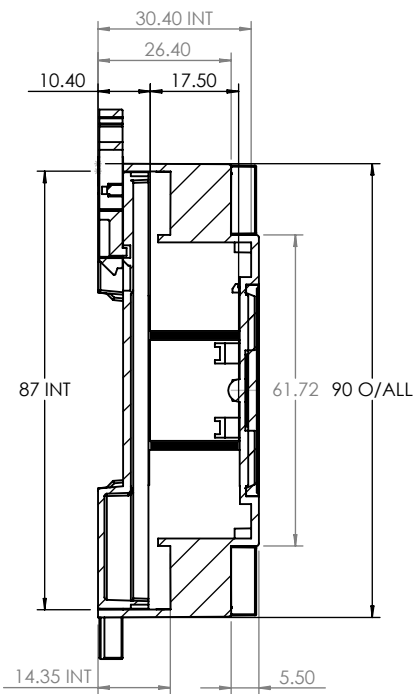
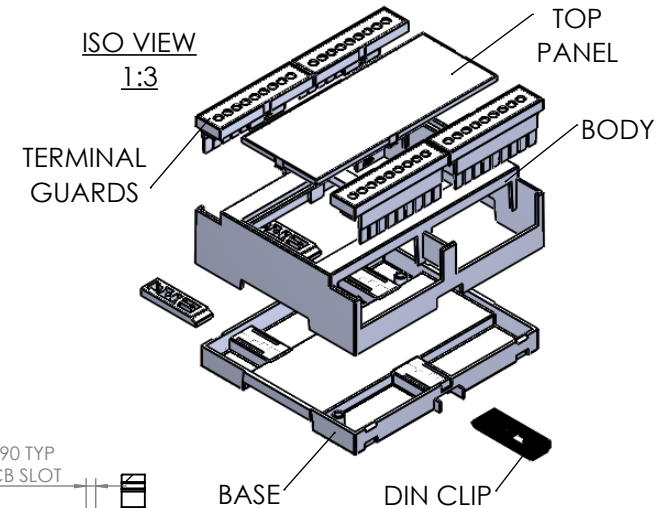
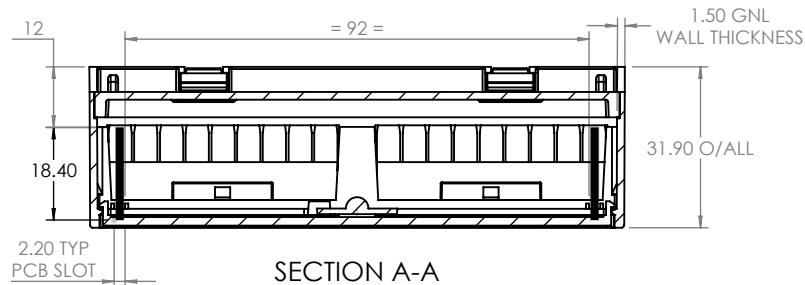
MATERIAL. UL94-V0 PC
RAL: 7035

DWG NO. **CDIB-6ST-D2-KIT** A4

PROJECTION.

SCALE. 1:2

SHEET 1 OF 1



DIN CLIPS ARE SHOWN IN WALL MOUNTING POSITION



UNLESS OTHERWISE SPECIFIED:
DIMENSIONS ARE IN MILLIMETERS

DO NOT SCALE DRAWING

REVISION. ○

GENERAL TOLERANCES +/- 0.2

TITLE: GENERAL ASSEMBLY DRAWING
FOR CDIB SERIES

FINISH. FINE TEXTURE

| DRAWN | NAME | SIGNED | DATE |
|-----------------|------|----------|------|
| MATTHEW WALLACE | MJW | 27/04/15 | |

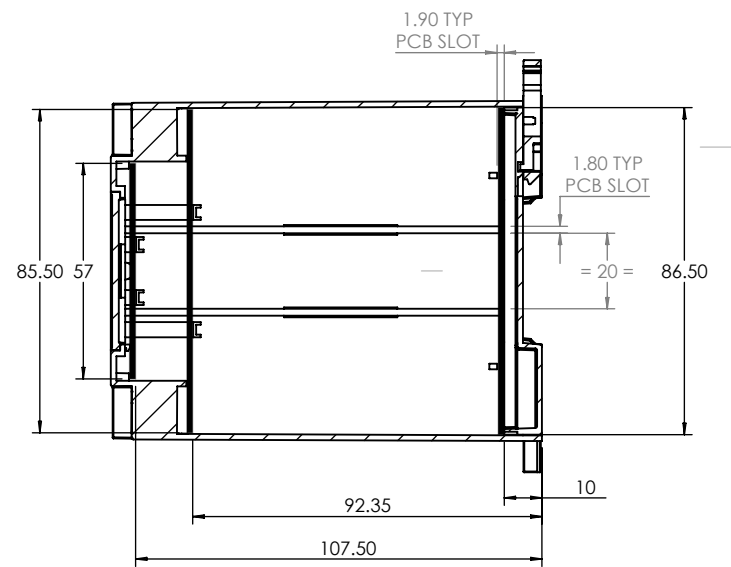
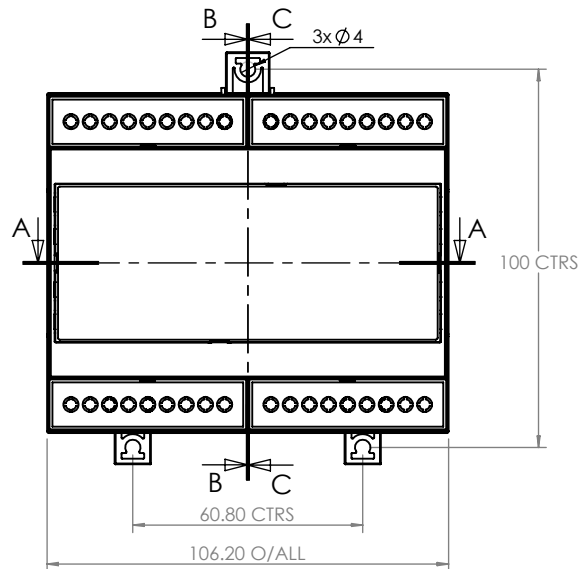
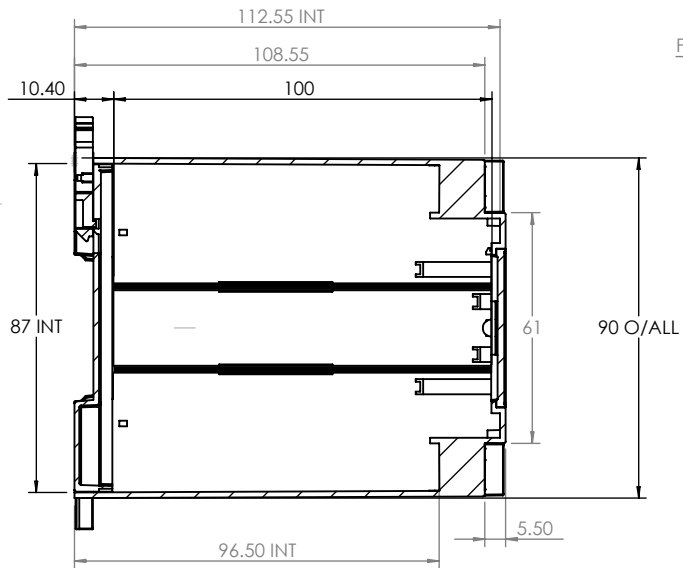
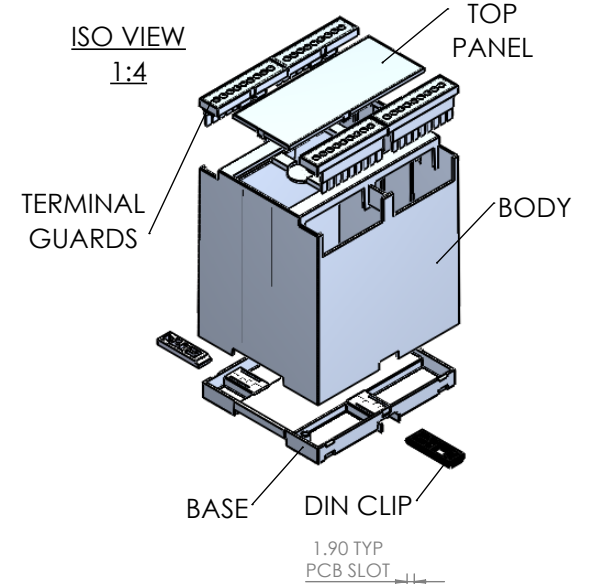
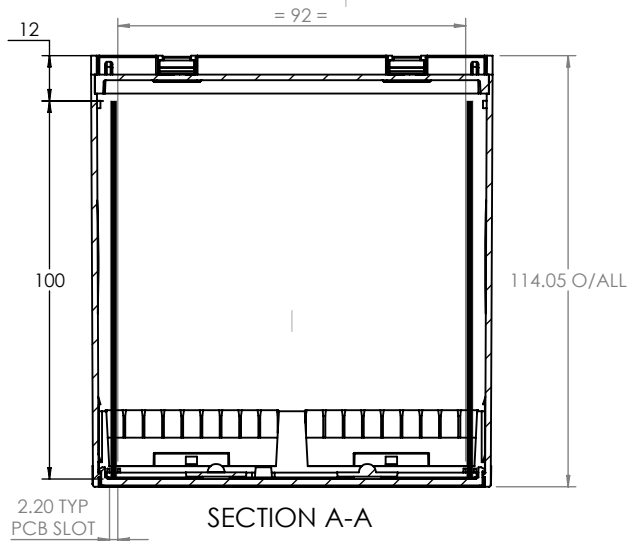
MATERIAL. UL94-V0 PC
RAL: 7035

| DWG NO. | SCALE | SHEET 1 OF 1 |
|---------------|-------|--------------|
| CDIB-6-L2-KIT | 2:3 | |

| CHK'D | NAME | SIGNED | DATE |
|------------|------|----------|------|
| IAN PAGANO | IP | 29/04/15 | |

PROJECTION.

A4



UNLESS OTHERWISE SPECIFIED:
DIMENSIONS ARE IN MILLIMETERS

DO NOT SCALE DRAWING

REVISION. ○

GENERAL TOLERANCES +/- 0.2

TITLE: GENERAL ASSEMBLY DRAWING
FOR CDIB SERIES

FINISH. FINE TEXTURE

| DRAWN | NAME | SIGNED | DATE |
|-----------------|------------|----------|----------|
| MATTHEW WALLACE | MJW | 28/04/15 | |
| CHKD | IAN PAGANO | IP | 29/04/15 |

MATERIAL. UL94-V0 PC
RAL: 7035

DWG NO. CDIB-6-D2-KIT A4

PROJECTION.

SCALE. 1:2 SHEET 1 OF 1