

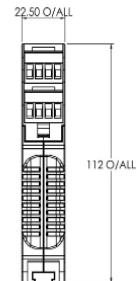
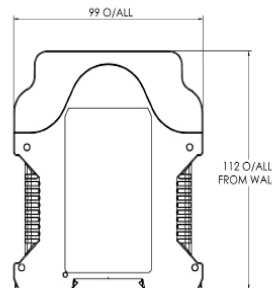
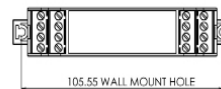
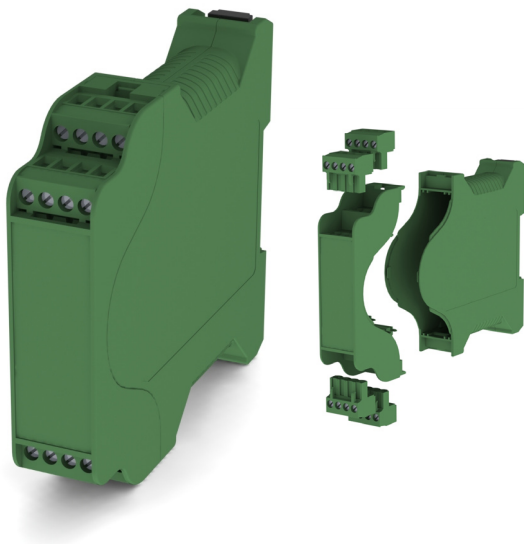
DIN RAIL BOXES

CVB-PLUS

- 22.5mm wide Vertical DIN Rail Mount Housing
- Clip together design for fast assembly
- Supplied with four 4-pole 5mm pitch pluggable terminal blocks
- Moulded in UL94-V0, PA66
- Front and side label recesses
- Solid and vented versions available
- Top Hat 35mm DIN Rail or Surface Mounting

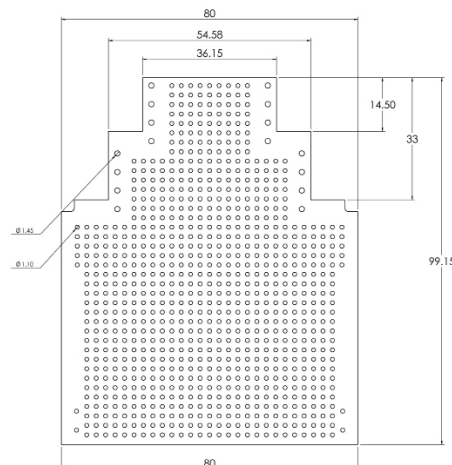
SPECIFICATION	
Rating Terminals	15A 300V
Contact resistance	20mΩ
Insulation resistance	500mΩ/DC500V
Withstand voltage	AC2000V/1min
Materials: Pin header	Brass, tin plated
Housing	PA66, UL94-V0

TYPE NO.	DESCRIPTION	SIZE
CVB-PLUS1	Solid sides	112mm x 22.5mm x 99mm
CVB-PLUS1V	Vented Sides	112mm x 22.5mm x 99mm



CVB-PLUS PCB

TYPE NO.	DESCRIPTION	SIZE
CVB-PLUS-PCB	PCB	80mm x 99.2mm x 1.6mm



UNIVERSAL ENCLOSURES

HAND HELD CASES

HEAVY DUTY ENCLOSURES

DIN RAIL BOXES

INTERFACE SUPPORTS

CONTROL STATIONS

DIECAST & METAL BOXES

DESKTOP & INSTRUMENT CASES

POTTING BOXES

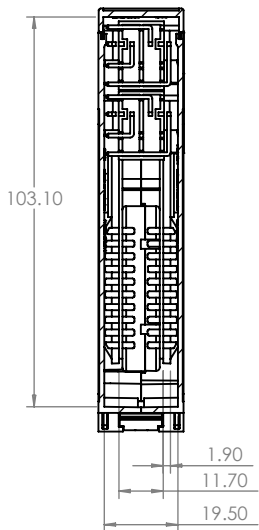
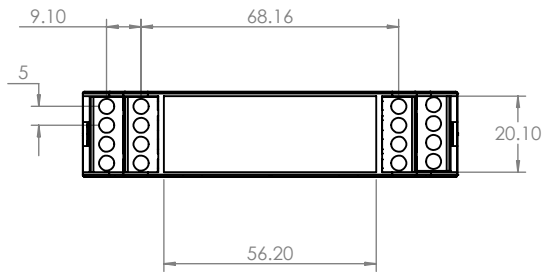
19" ENCLOSURES

19" CABINETS

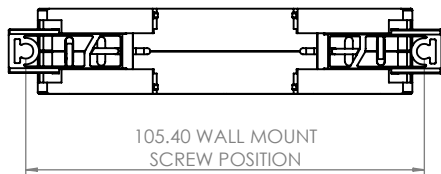
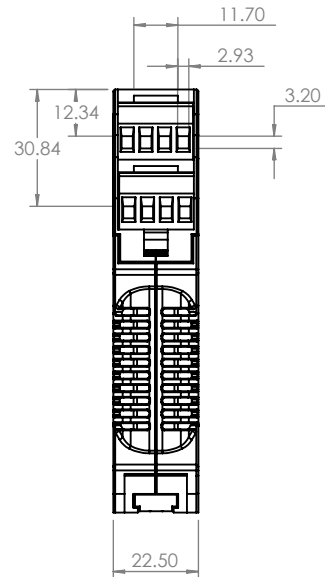
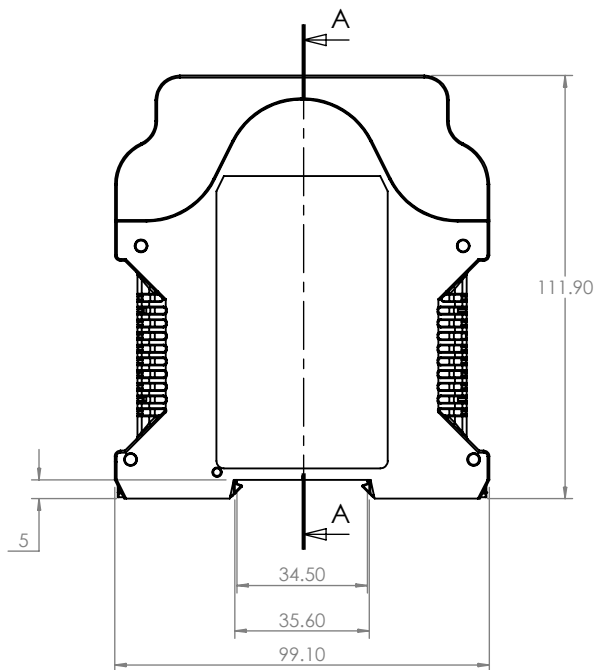
DEVELOPMENT BOARD ENCLOSURES

CUSTOM SIZED ENCLOSURES

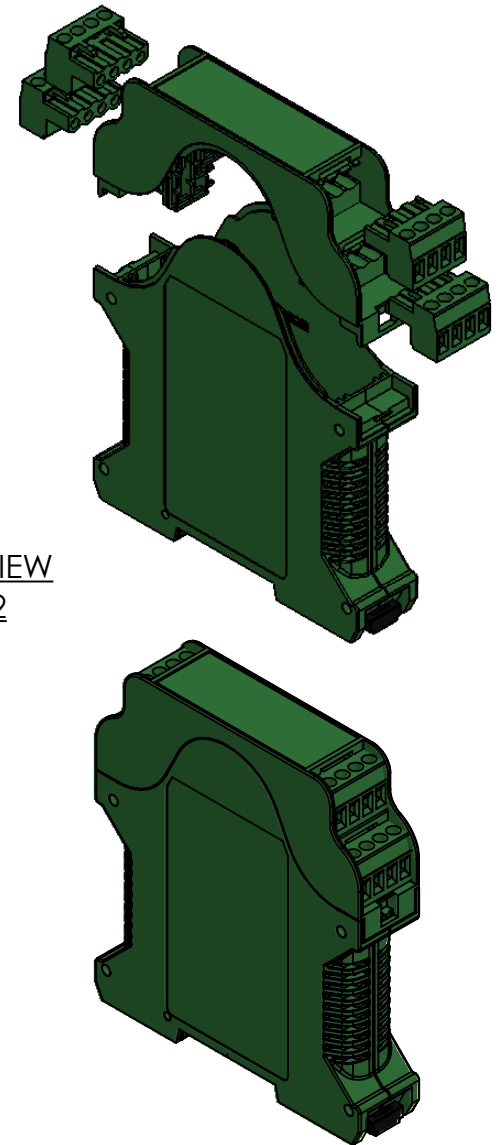
CUSTOM SERVICES



SECTION A-A



ISO VIEW
1:2



UNLESS OTHERWISE SPECIFIED:
DIMENSIONS ARE IN MILLIMETERS

GENERAL TOLERANCES +/- 0.2

FINISH:
LIGHT SPARK

MATERIAL:
PA 66 UL 94 - V0

PROJECTION:

DO NOT SCALE DRAWING

REVISION:

TITLE:
DIMENSION DRAWING FOR SOLID
WALLED CVB-PLUS

DWG NO.

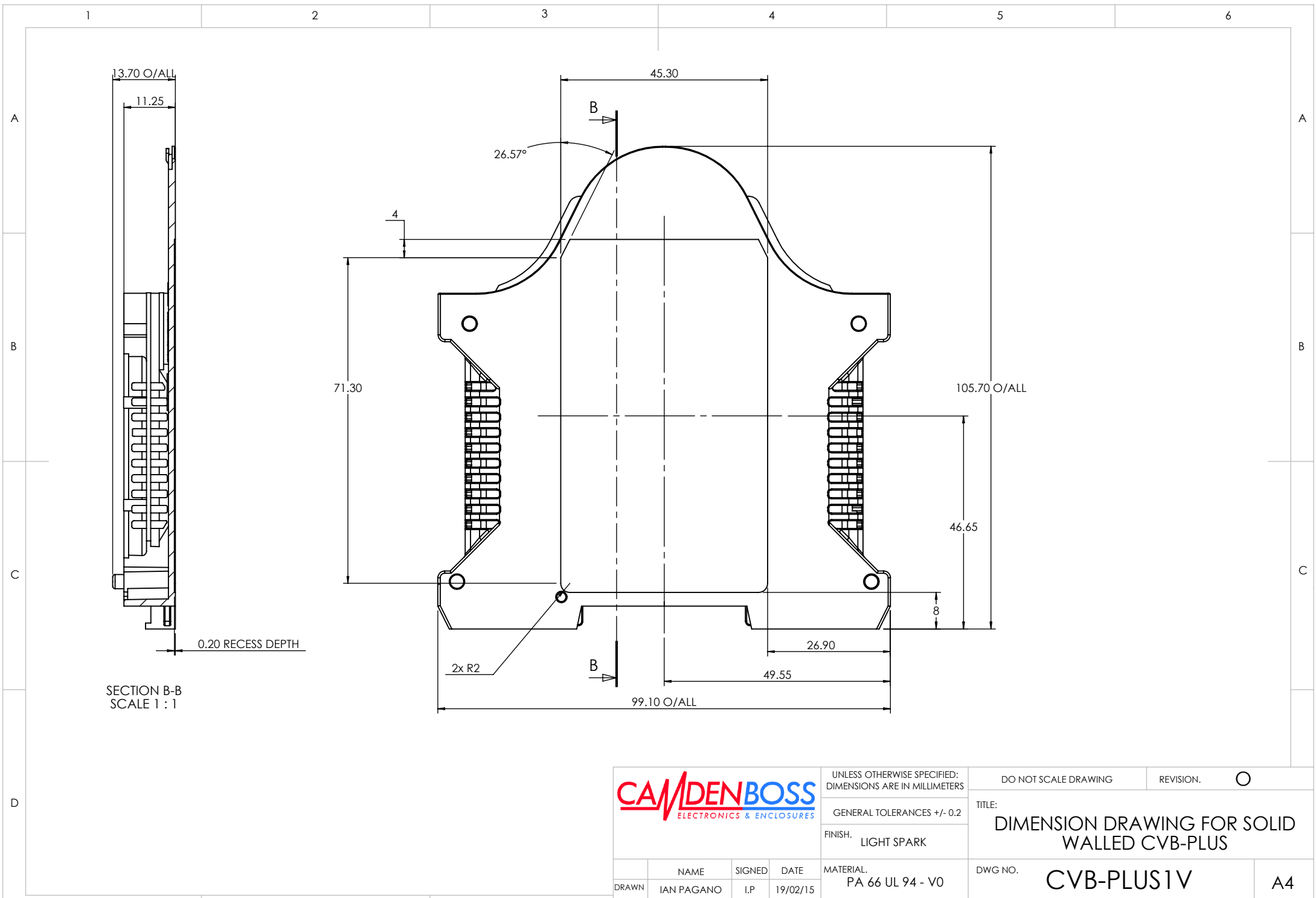
CVB-PLUS1V

A4

	NAME	SIGNED	DATE
DRAWN	IAN PAGANO	I.P.	19/02/15
CHK'D	DAN SMALLEY	D.S.	19/02/15

SCALE: 1:2

SHEET 1 OF 2



SECTION B-B
SCALE 1 : 1



UNLESS OTHERWISE SPECIFIED:
DIMENSIONS ARE IN MILLIMETERS

DO NOT SCALE DRAWING

REVISION. ○

GENERAL TOLERANCES +/- 0.2

TITLE:
**DIMENSION DRAWING FOR SOLID
WALLED CVB-PLUS**

FINISH.
LIGHT SPARK

	NAME	SIGNED	DATE
DRAWN	IAN PAGANO	I.P.	19/02/15
CHK'D	DAN SMALLEY	D.S.	19/02/15

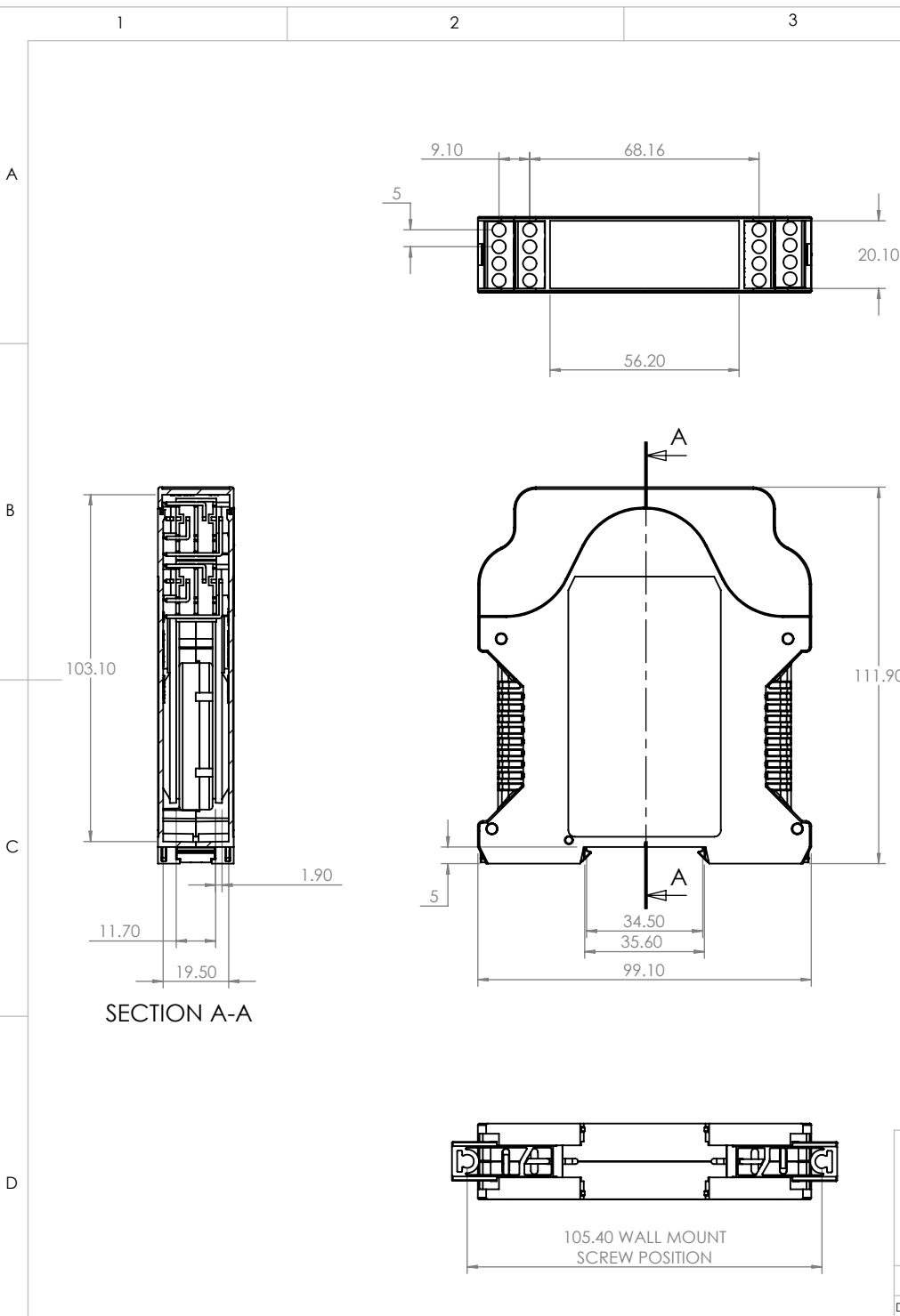
MATERIAL.
PA 66 UL 94 - V0

DWG NO. **CVB-PLUS1V** A4

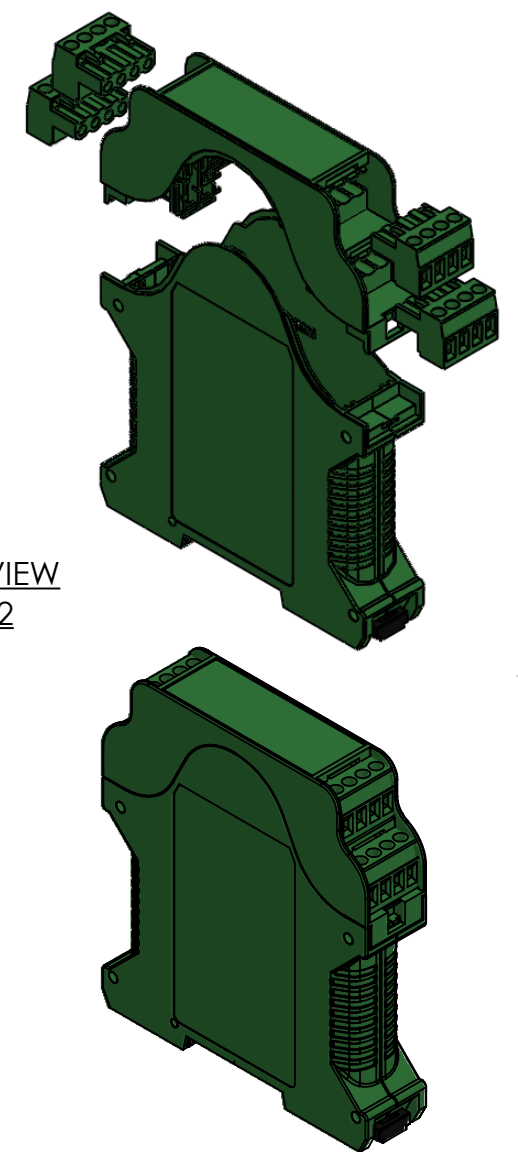
PROJECTION.

SCALE: 1:2

SHEET 2 OF 2



ISO VIEW
1:2



UNLESS OTHERWISE SPECIFIED:
DIMENSIONS ARE IN MILLIMETERS

DO NOT SCALE DRAWING REVISION. ○

GENERAL TOLERANCES +/- 0.2

TITLE: DIMENSION DRAWING SOLID
CVB-PLUS

FINISH: LIGHT SPARK

	NAME	SIGNED	DATE
DRAWN	IAN PAGANO	I.P.	19/02/15
CHK'D	DAN SMALLEY	D.S.	19/02/15

MATERIAL: PA 66 UL 94 - V0

DWG NO. CVB-PLUS1 A4

PROJECTION.

SCALE: 1:2 SHEET 1 OF 2

13.70 O/ALL

11.25

A

B

C

D

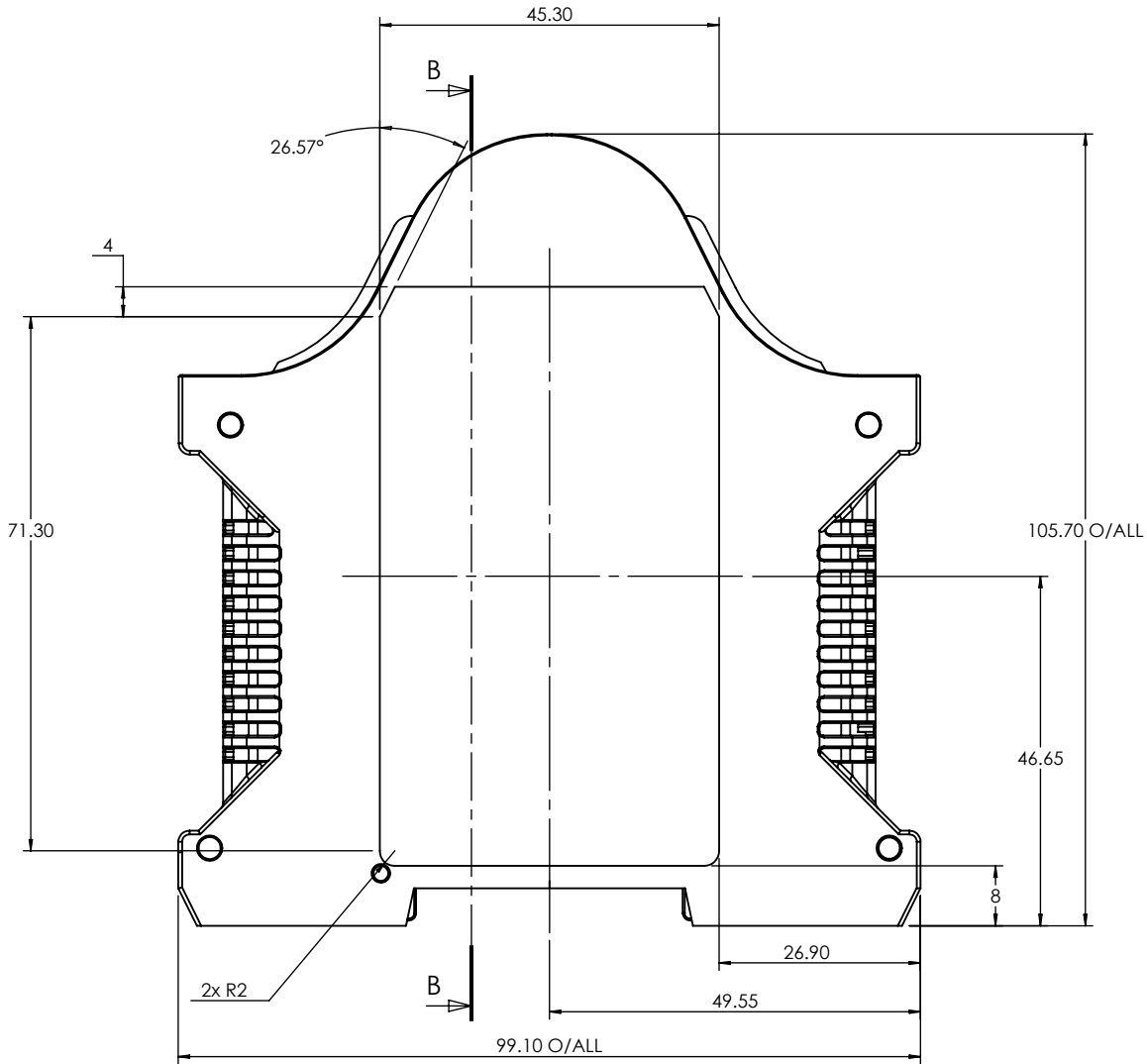
2

3

4

5

6



SECTION B-B
SCALE 1 : 1



UNLESS OTHERWISE SPECIFIED:
DIMENSIONS ARE IN MILLIMETERS

DO NOT SCALE DRAWING

REVISION.



GENERAL TOLERANCES +/- 0.2

TITLE:

DIMENSION DRAWING SOLID
CVB-PLUS

FINISH.
LIGHT SPARK

MATERIAL.
PA 66 UL 94 - V0

DWG NO.

CVB-PLUS1

A4

	NAME	SIGNED	DATE
DRAWN	IAN PAGANO	I.P.	19/02/15
CHK'D	DAN SMALLEY	D.S.	19/02/15

PROJECTION.



SCALE: 1:2

SHEET 2 OF 2

1

2

3