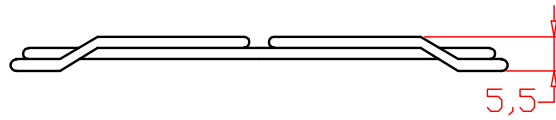
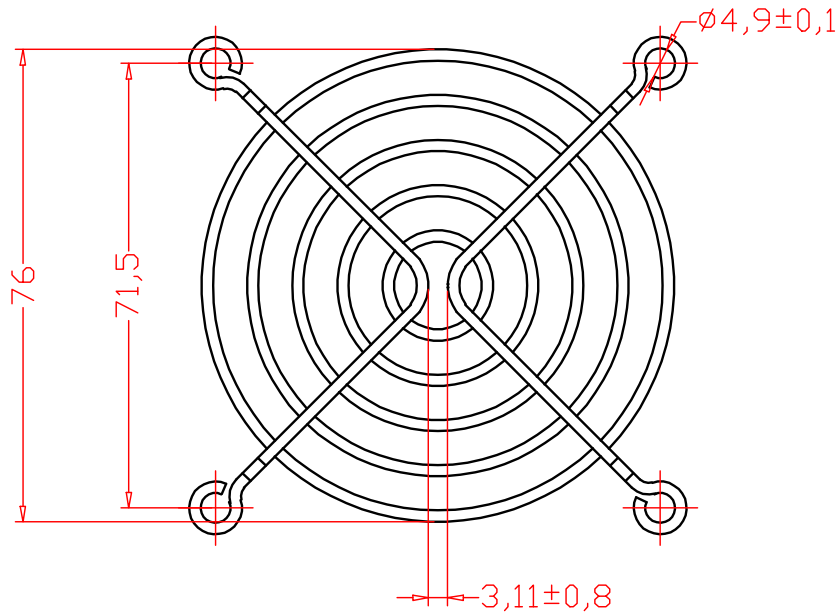


版次 REVISION	年月日 DATE	變更事項 REVISION REASON	變更通知 REVISION NO.



**NOTES:**

1. MATERIAL: C1008 BRIGHT BASIC WIRE.
2. FINISH: BRIGHT NICKEL CHROME PLATING.
3. (1) RINGS ARE  $\phi 1.8 \pm 0.1$ mm.  
(2) RIBS ARE  $\phi 1.8 \pm 0.1$ mm.
4. WELD JOINTS TO WITHSTAND 88 LBS PULL FORCE.
5. SPACING BETWEEN RINGS TO BE EQUIDISTANT.
6. GENERAL TOLERANCE UNLESS NOTED:  $\pm 0.5$ mm.
7. RoHS COMPLIANT.
8. UNIT: mm.

<b>DO NOT SCALE DRAWING</b>				<b>CUSTOMER PART NO.</b>	
<b>DRAWN BY(制作)</b>	<b>CHECKED(審圖)</b>	<b>APPROVED(承認)</b>	尺 SCALE		
			制 DRAWING DATE	<b>MATERIAL(材質)</b>	<b>SEE NOTES</b>
				<b>FINISH(表面處理)</b>	<b>SEE NOTES</b>