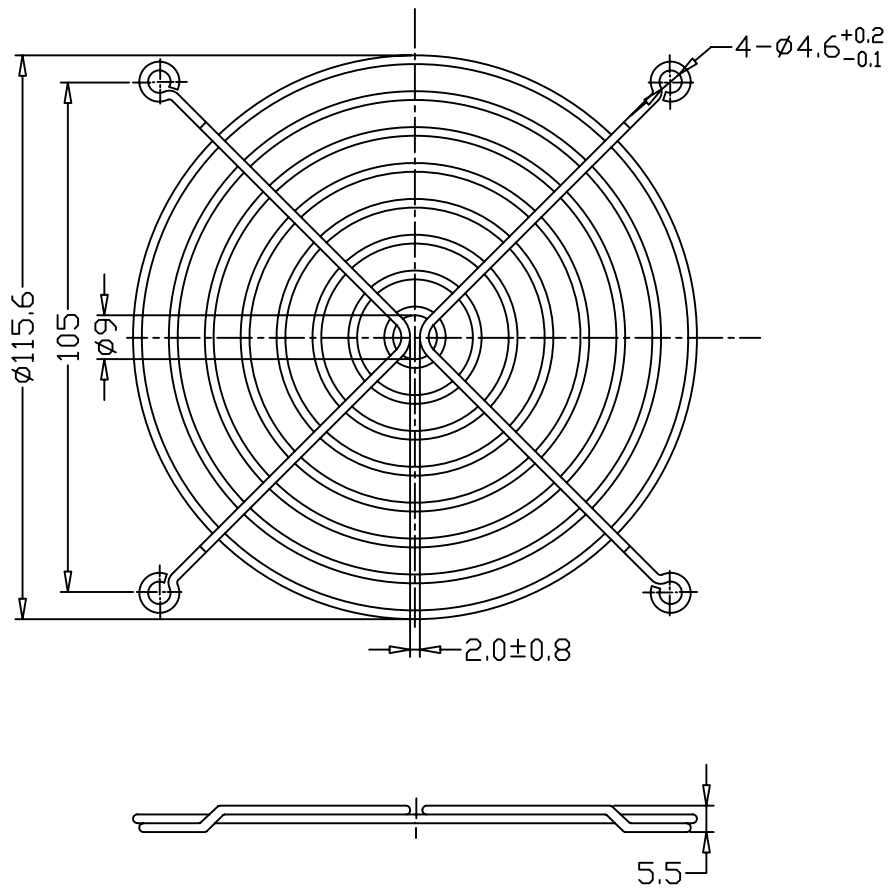


版次 EDITION	年 月 日 DATE	變更事項 REVISION RECORD	變更通知 REVISION NO.	核准 APPROVED

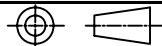


NOTES:

1. MATERIAL: C1008 BRIGHT BASIC WIRE.
2. FINISH: BRIGHT NICKEL CHROME PLATING.
3. (1) RINGS ARE $\phi 1.8$ mm.
(2) RIBS ARE $\phi 1.8$ mm.
4. WELD JOINTS TO WITHSTAND 88 LBS PULL FORCE.
5. SPACING BETWEEN RINGS TO BE EQUIDISTANT.
6. GENERAL TOLERANCE UNLESS NOTED: ± 0.5 mm.
7. PART MEETS $\phi 6.35$ mm PLUG GAUGE TEST.
8. UNIT: mm.

DO NOT SCALE DRAWING

DRAWN BY (制作) CHECKED (審圖) APPROVED (承認)



尺度
SCALE

制圖日期
DRAWING DATE

2004. 02. 16

PROFANTEC

MATERIAL (材質)

FINISH (表面處理)

6" fan guard

SEE NOTES

SEE NOTES

高