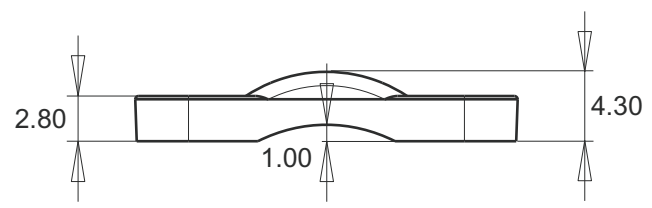
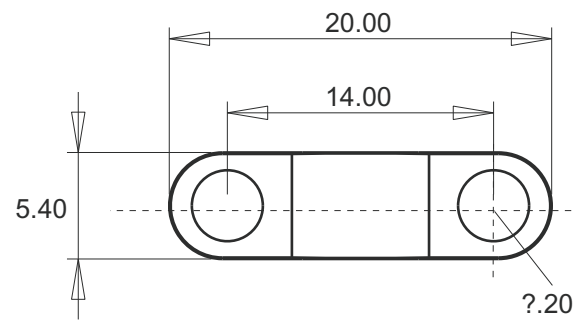
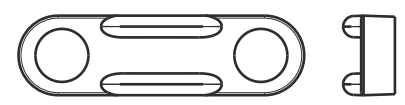
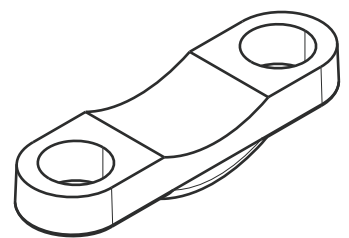
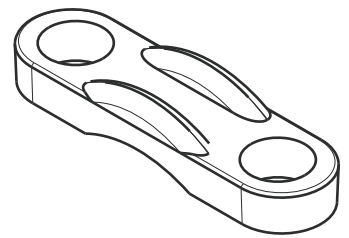
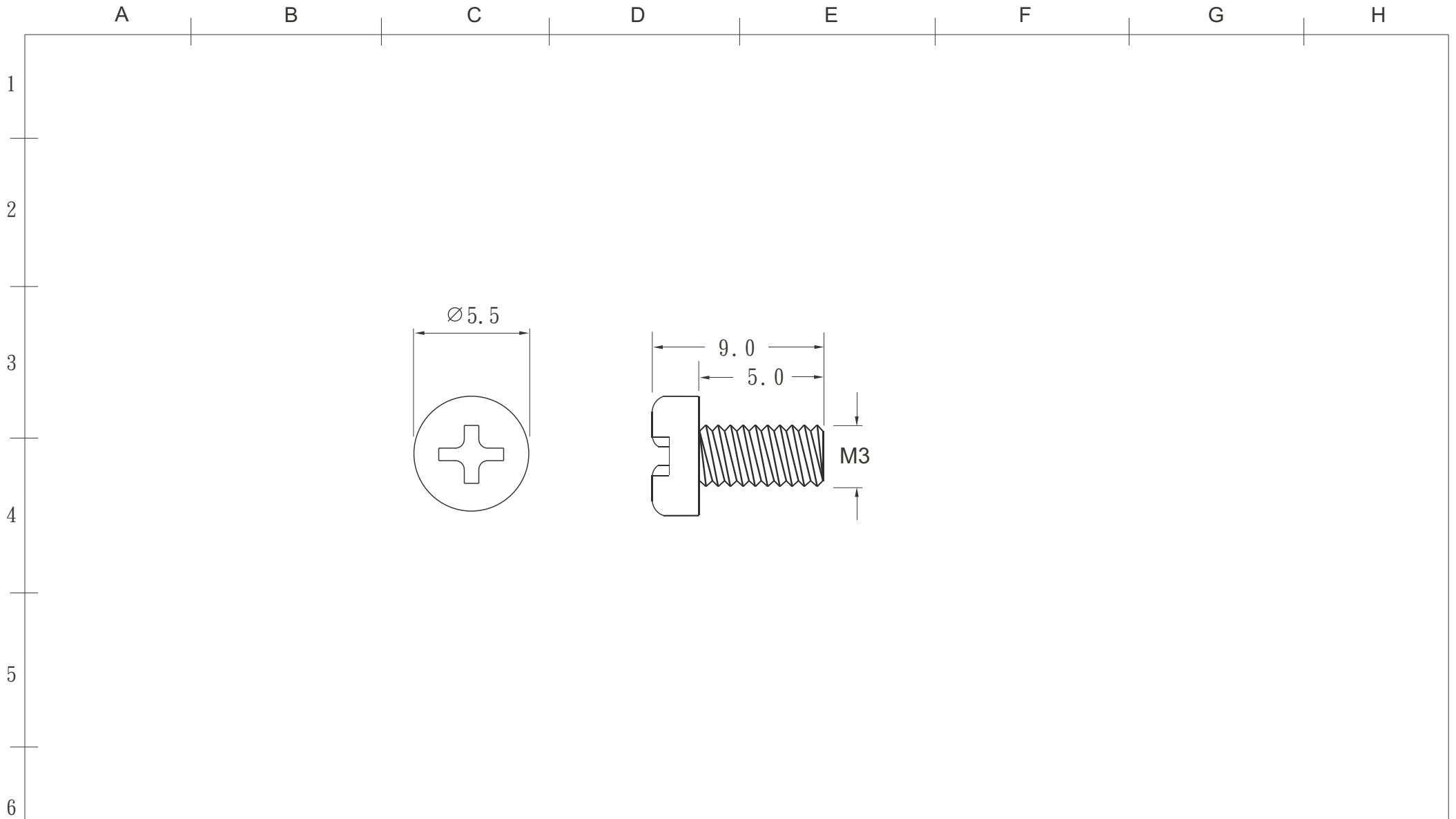


A B C D E F G H

1
2
3
4
5
6



				Material/Color	PP / Transparent	
DATE	REVISION	APPROVAL BY	DIMENSION	mm ?.2	Model no.	WCC-140TT-25S
			DRAW BY	John	Product	Plastic wire clips
			APPROVAL BY	Gary		
			DATE	02-12-2015		



				Material /Color	PC / Transparent	
DATE	REVISION	APPROVAL BY	DIMENSION	mm±0.2	PART No	WCC-140TT-25S
23-06-2016	up-dated screw length	C. CHOY	DRAW BY	John	NAME	PLASTIC SCREW
			APPROVAL BY	Gary		
			DATE	10-12-2015		