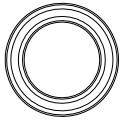


1



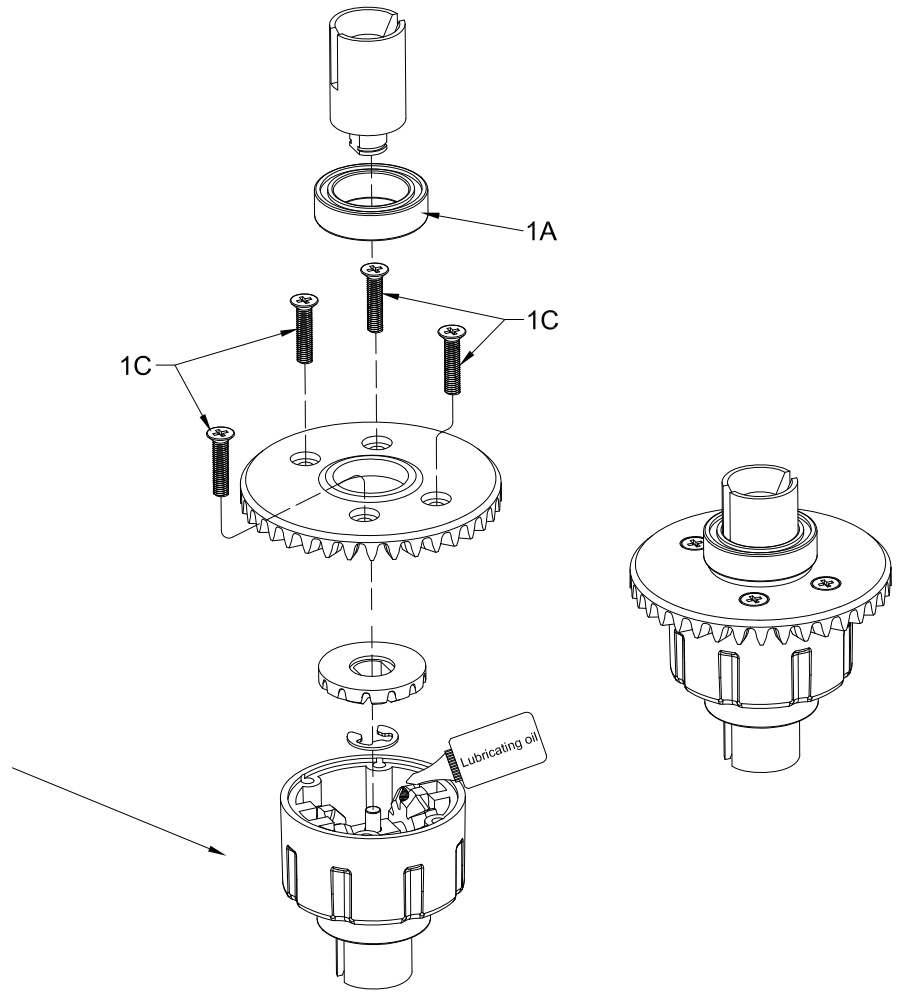
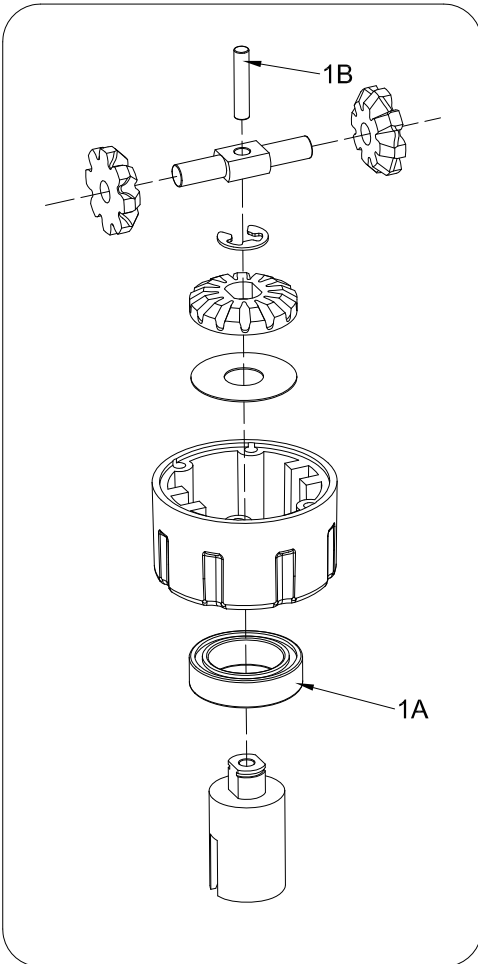
1A-Bearing 10*15*4 2PCS



1B-Pin 2*10 1PC



1C-Screw 2*10 4PCS



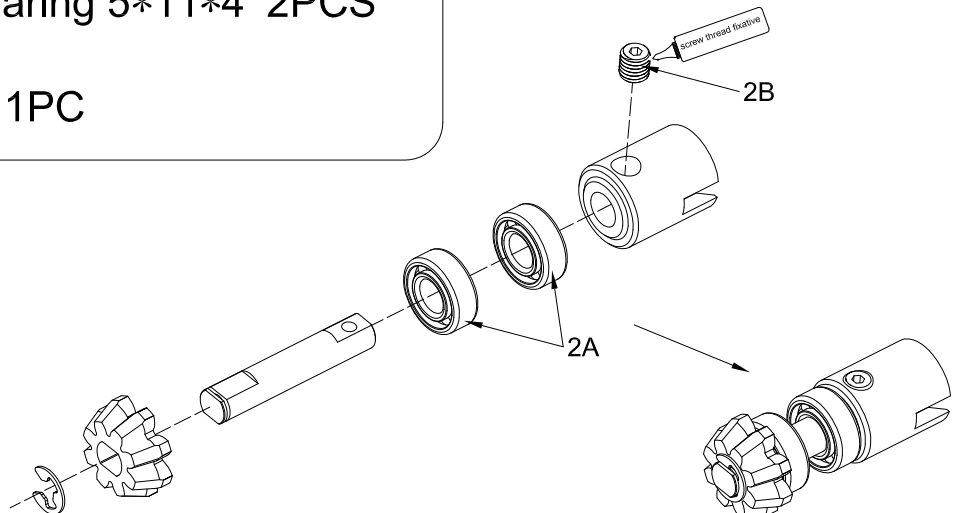
2



2A-Bearing 5*11*4 2PCS



2B-Screw 4*4 1PC



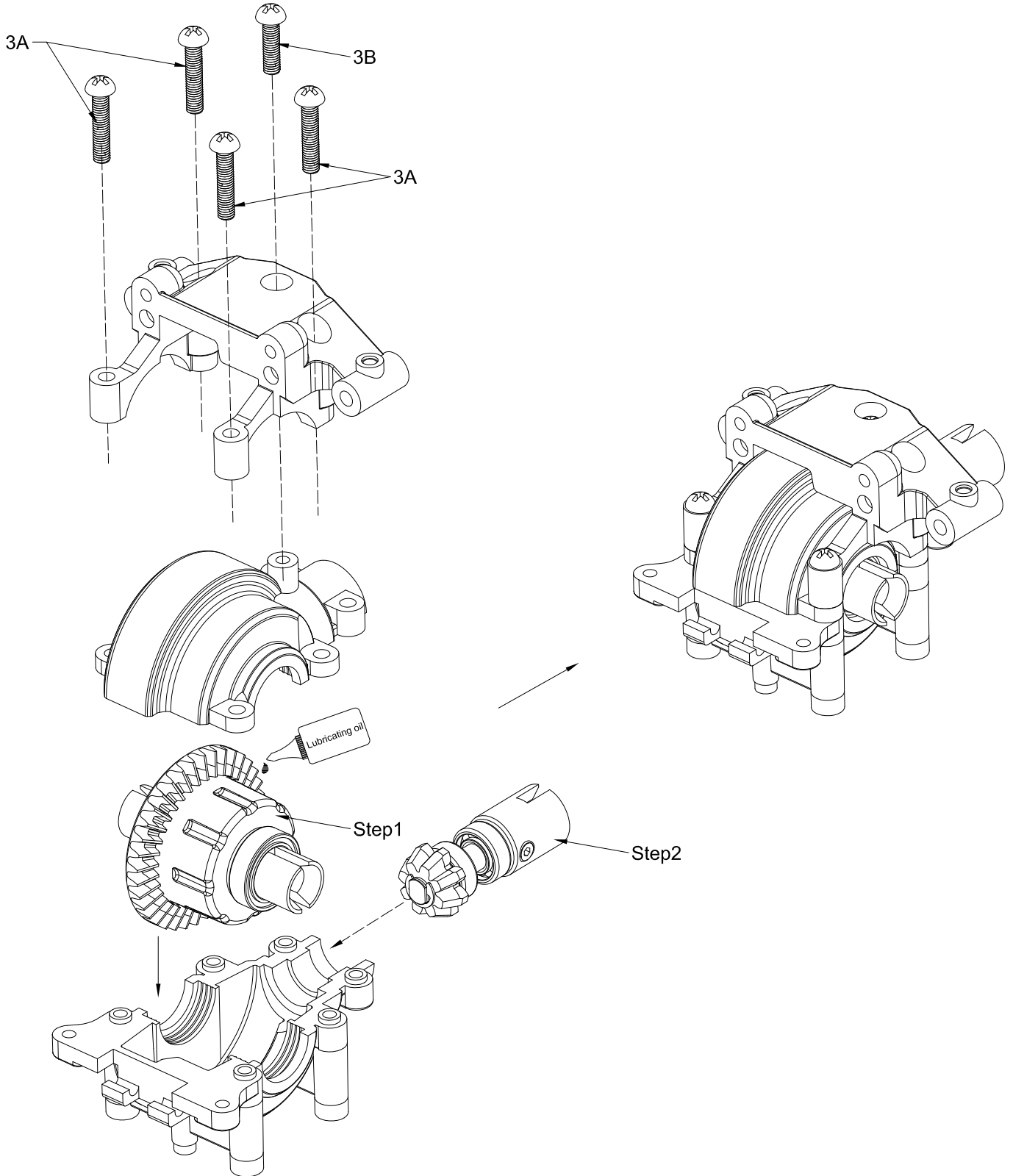
3





3A-Screw3*18 4PCS

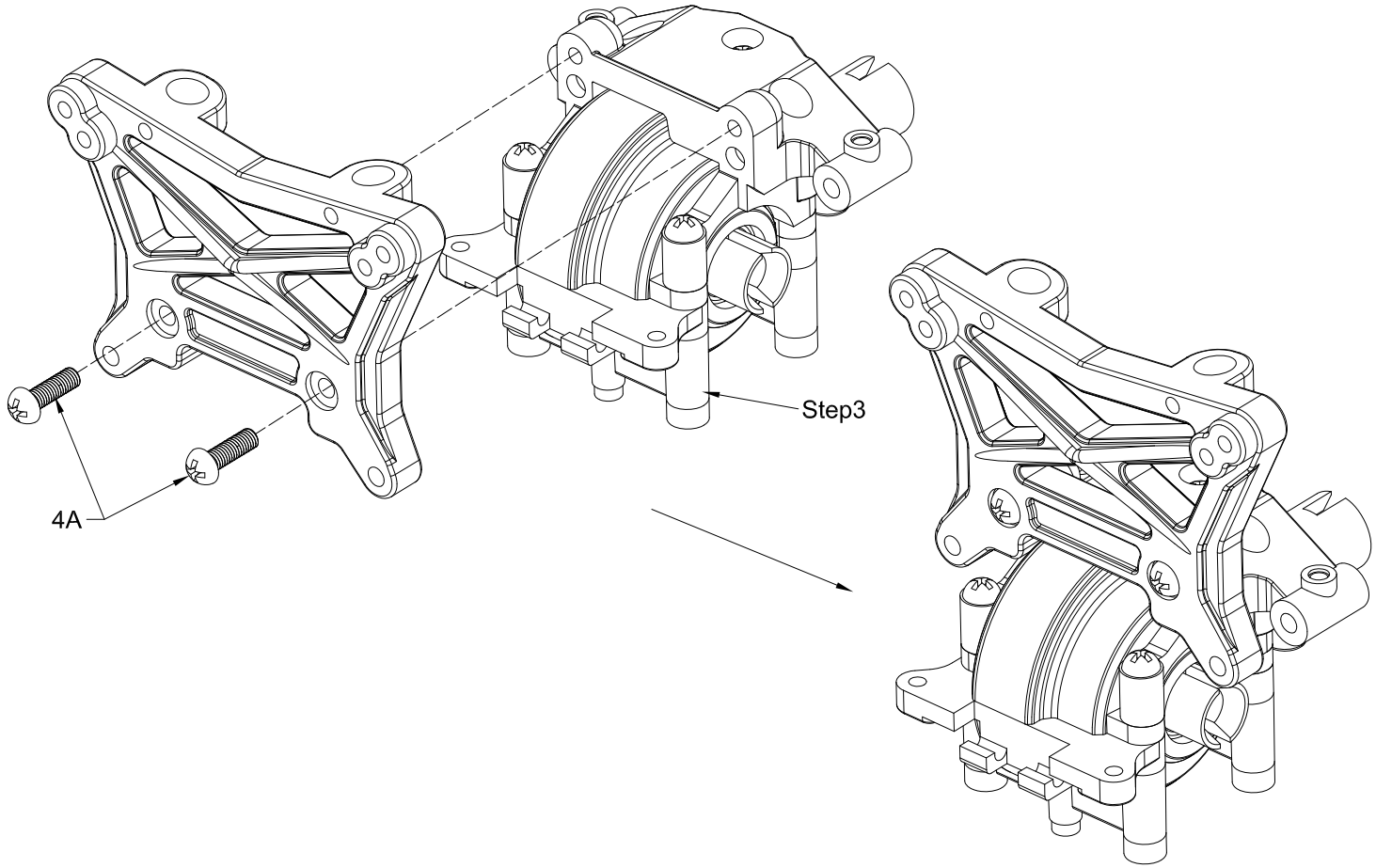


3B-Screw3*8 1PC

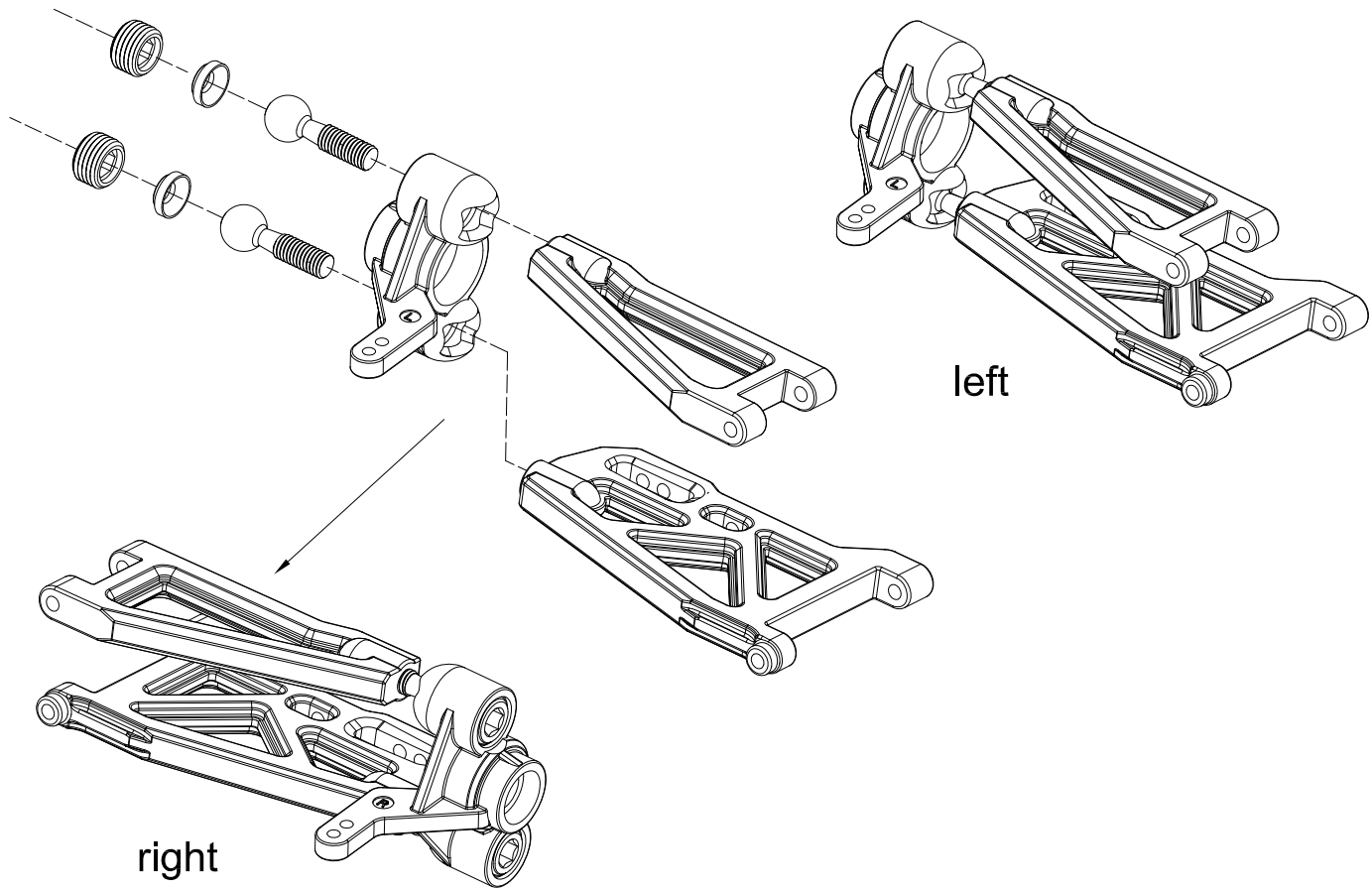


4

  4A-Screw3*10 2PCS



5



6



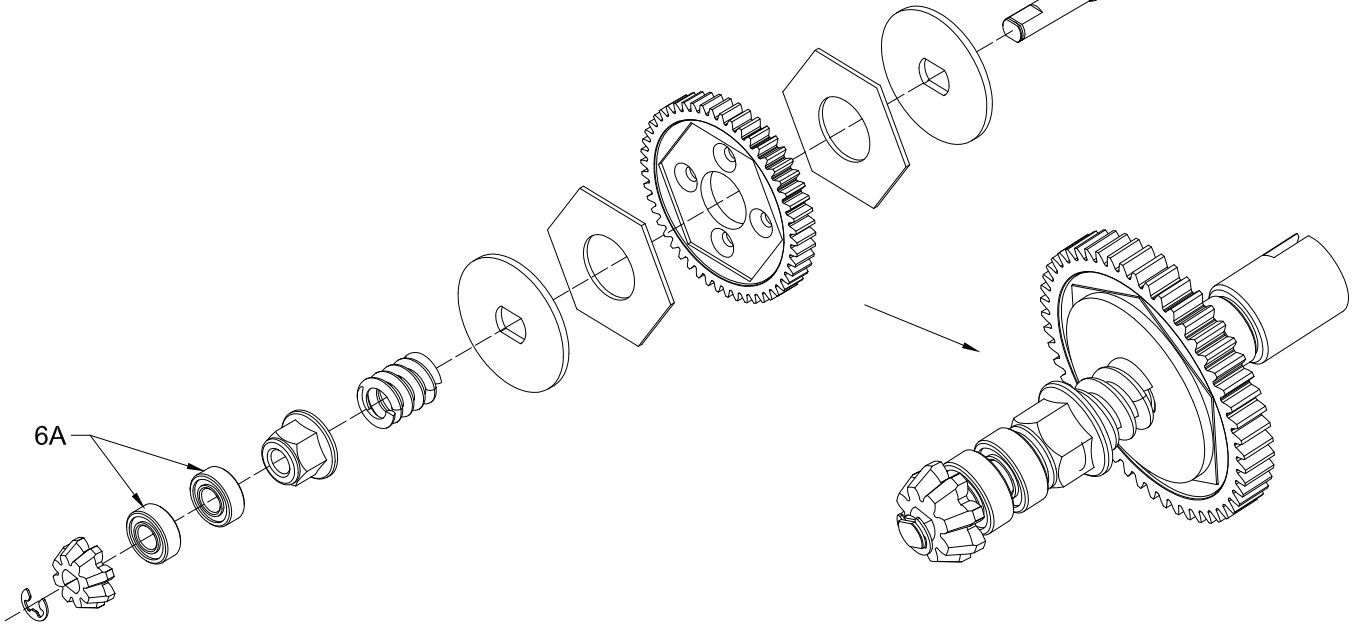
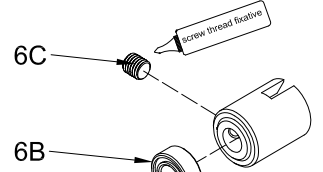
6A-Bearing 5*11*4 2PCS



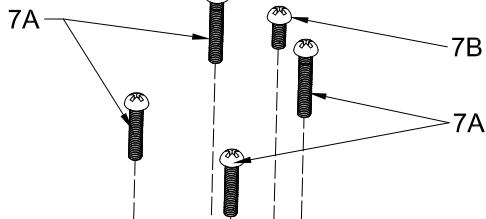
6B-Bearing 5*10*4 1PC



6C-Screw 4*4 1PC



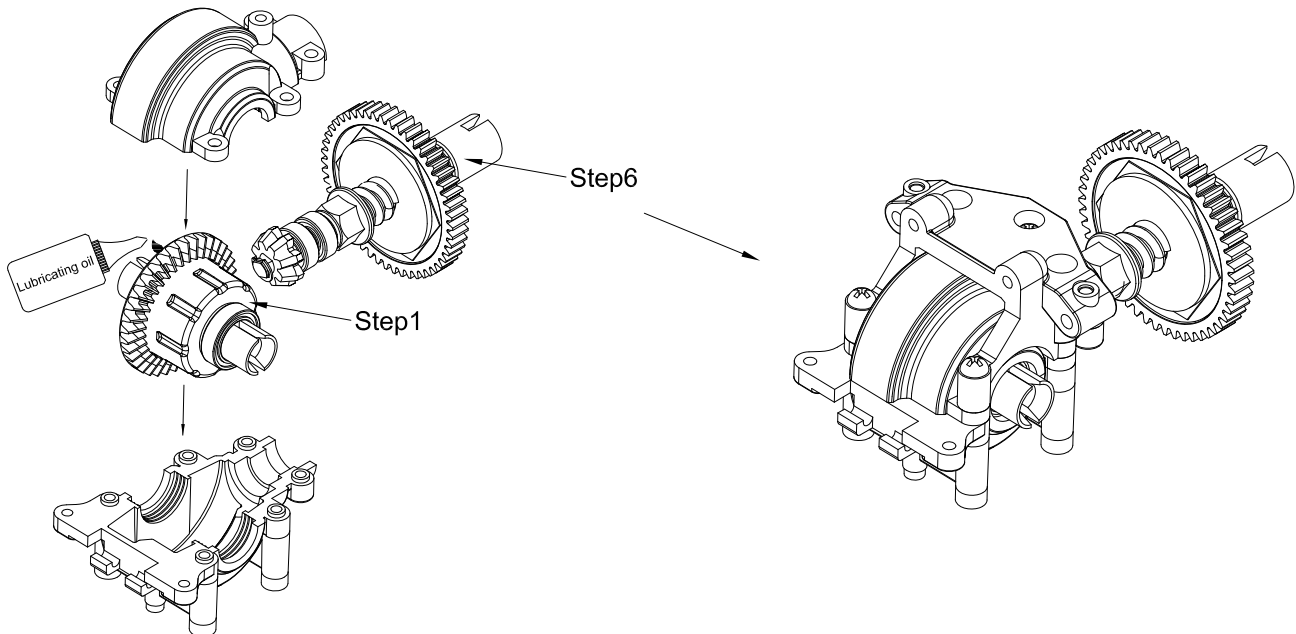
7



7A-Screw 3*18 4PCS

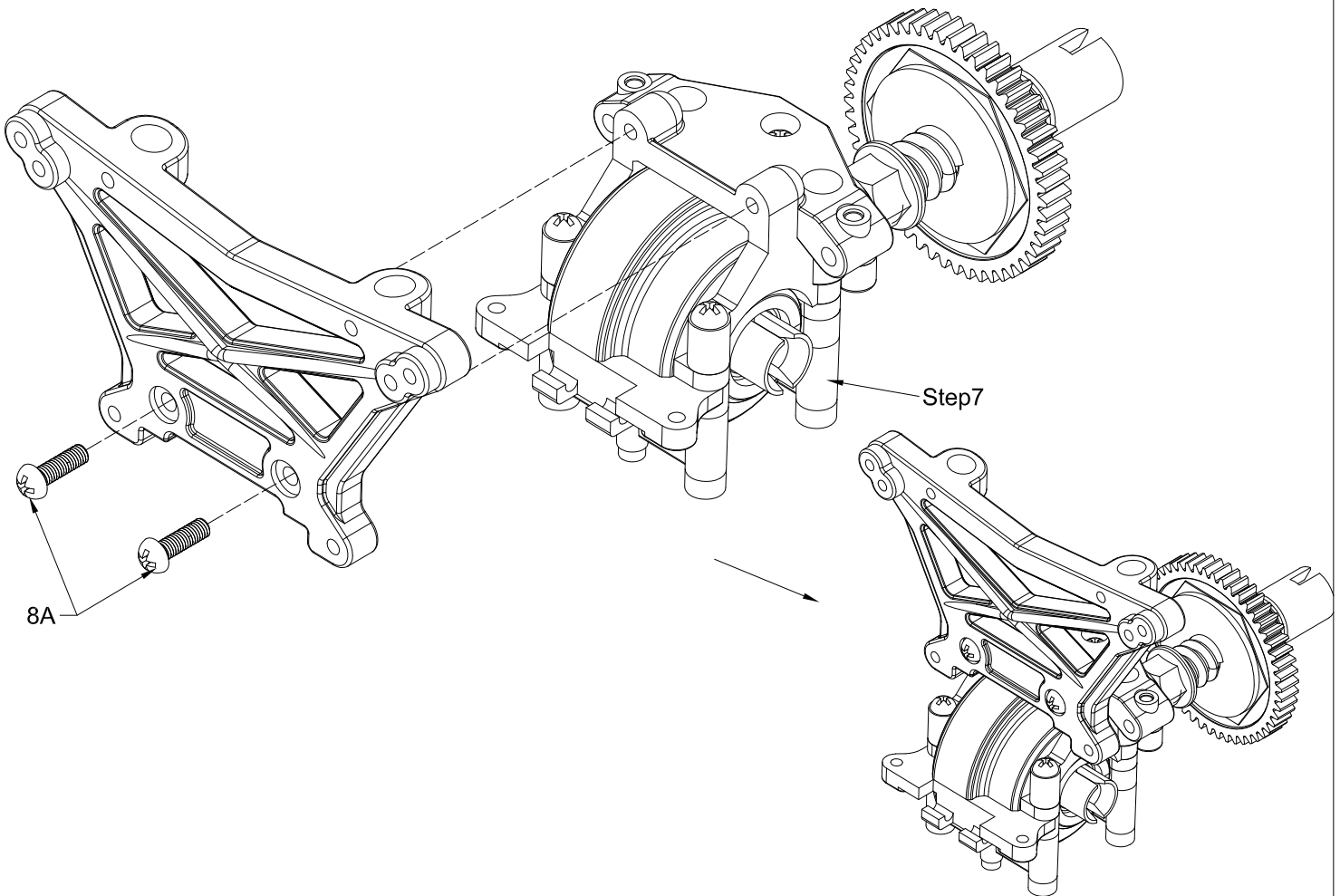


7B-Screw 3*8 1PC

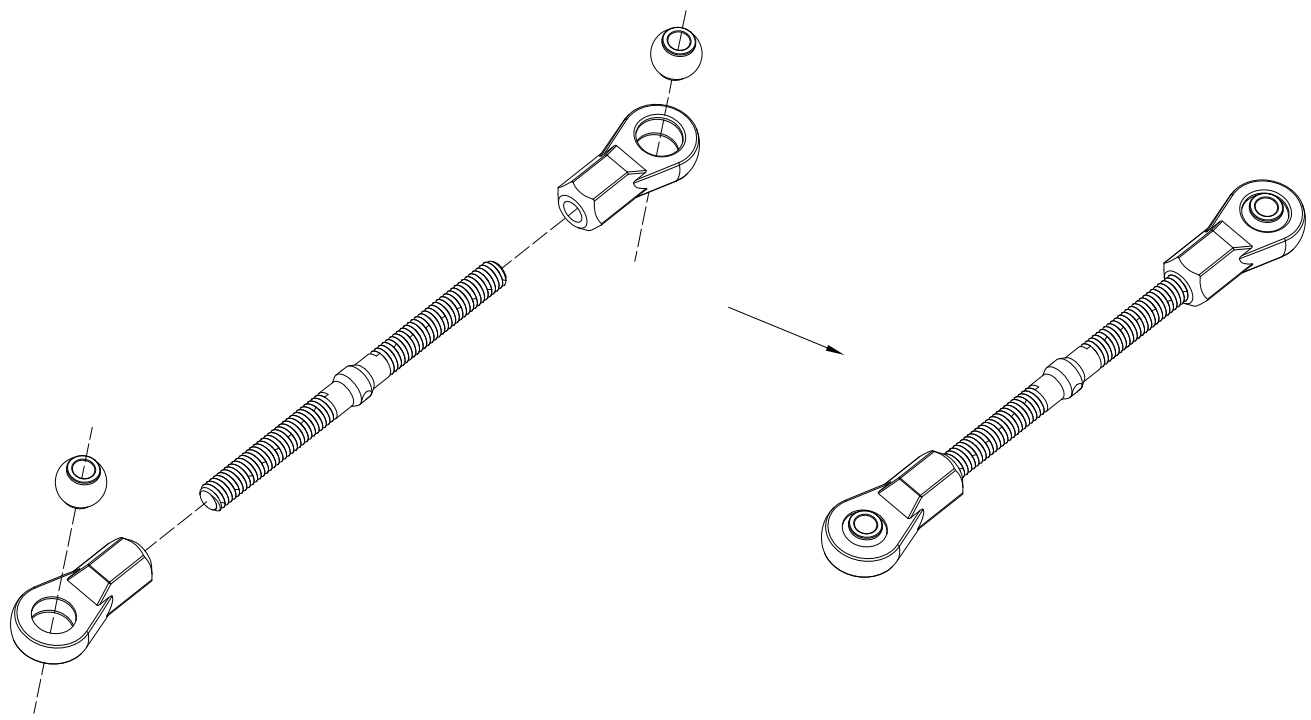


8

  8A-Screw3*10 2PCS



9

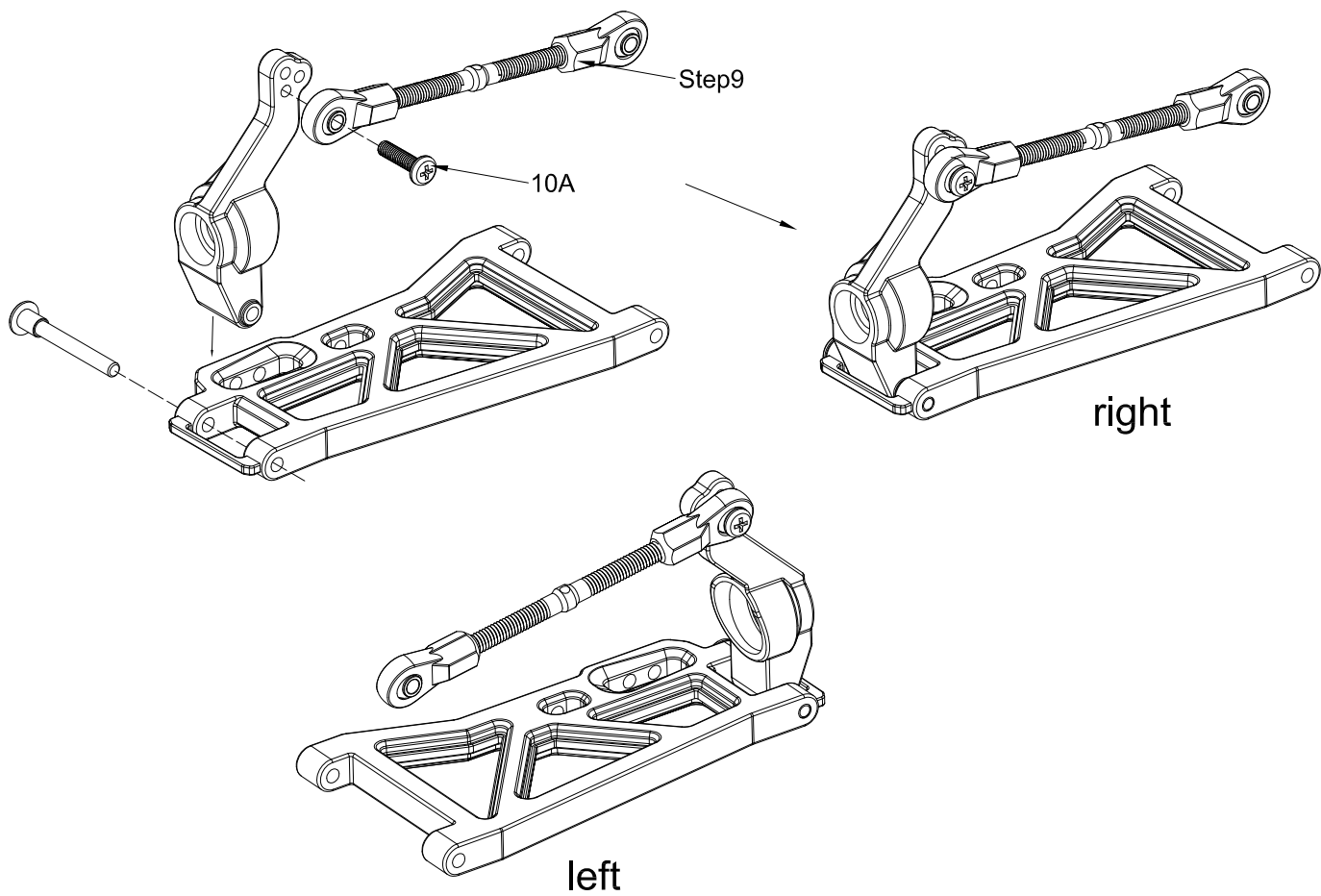


Rear upper pulling rod

10



10A-Screw3*12 1PC



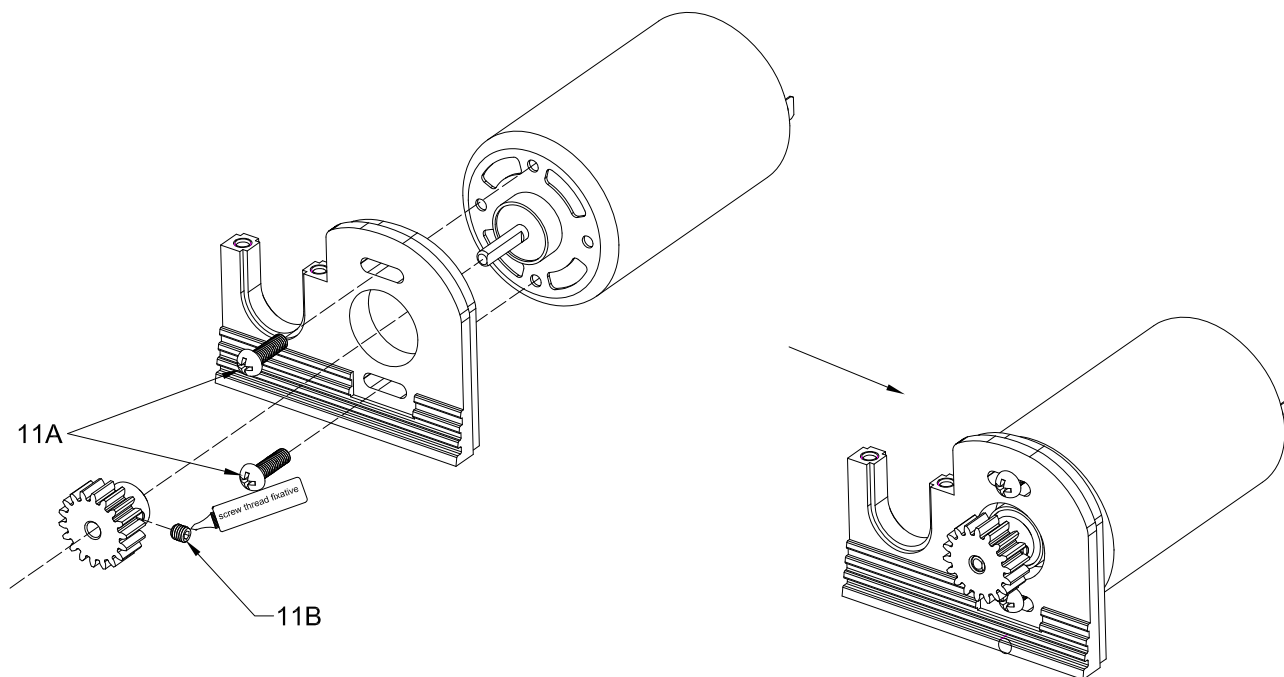
11



11A-Screw3*10 2PCS



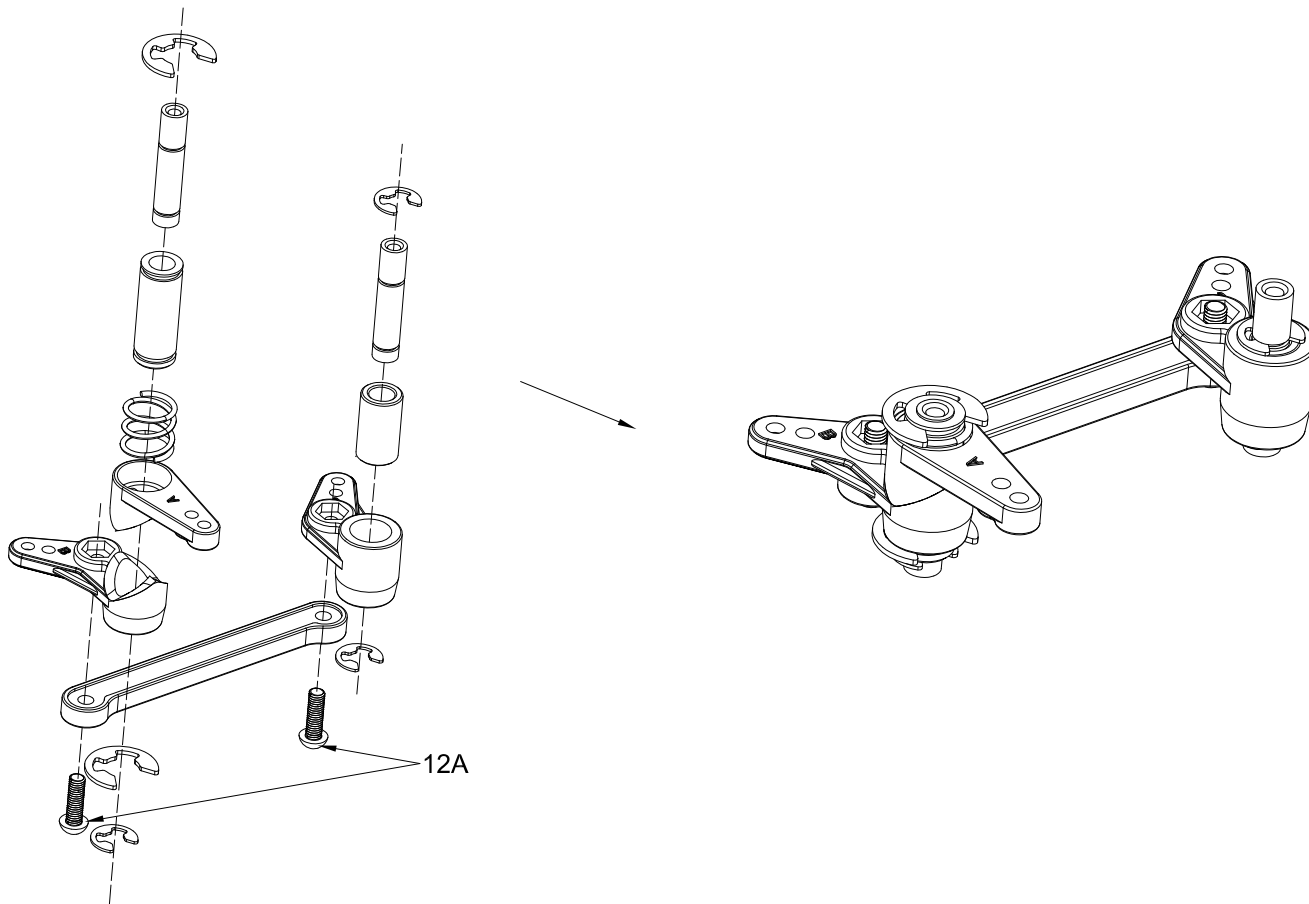
11B-Screw3*3 1PC



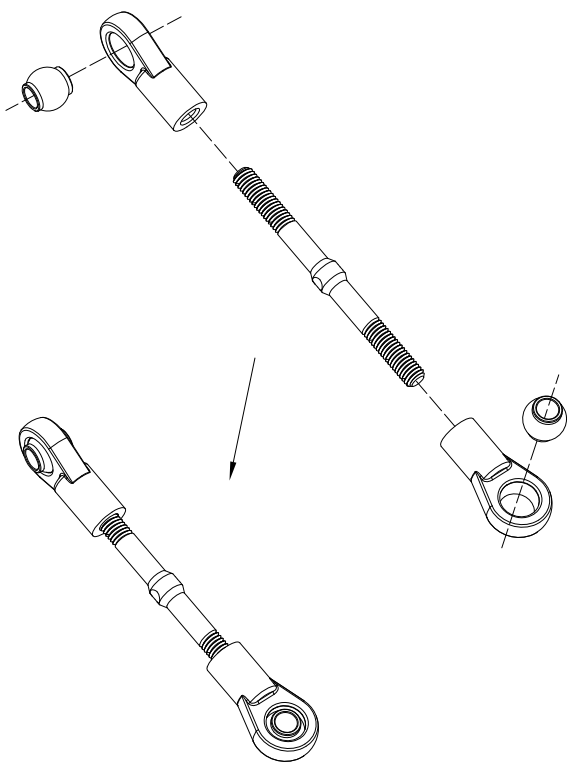
12



12A-Screw3*10 2PCS

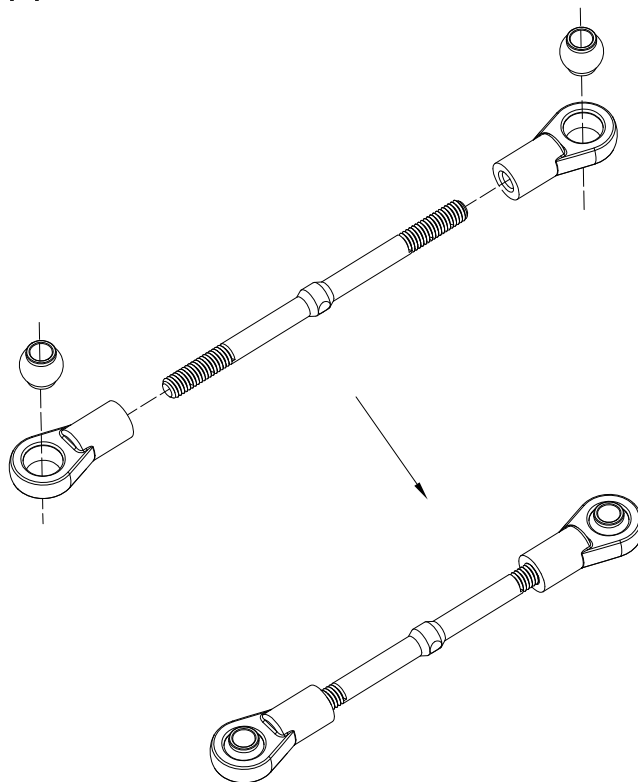


13



servo pulling rod

14

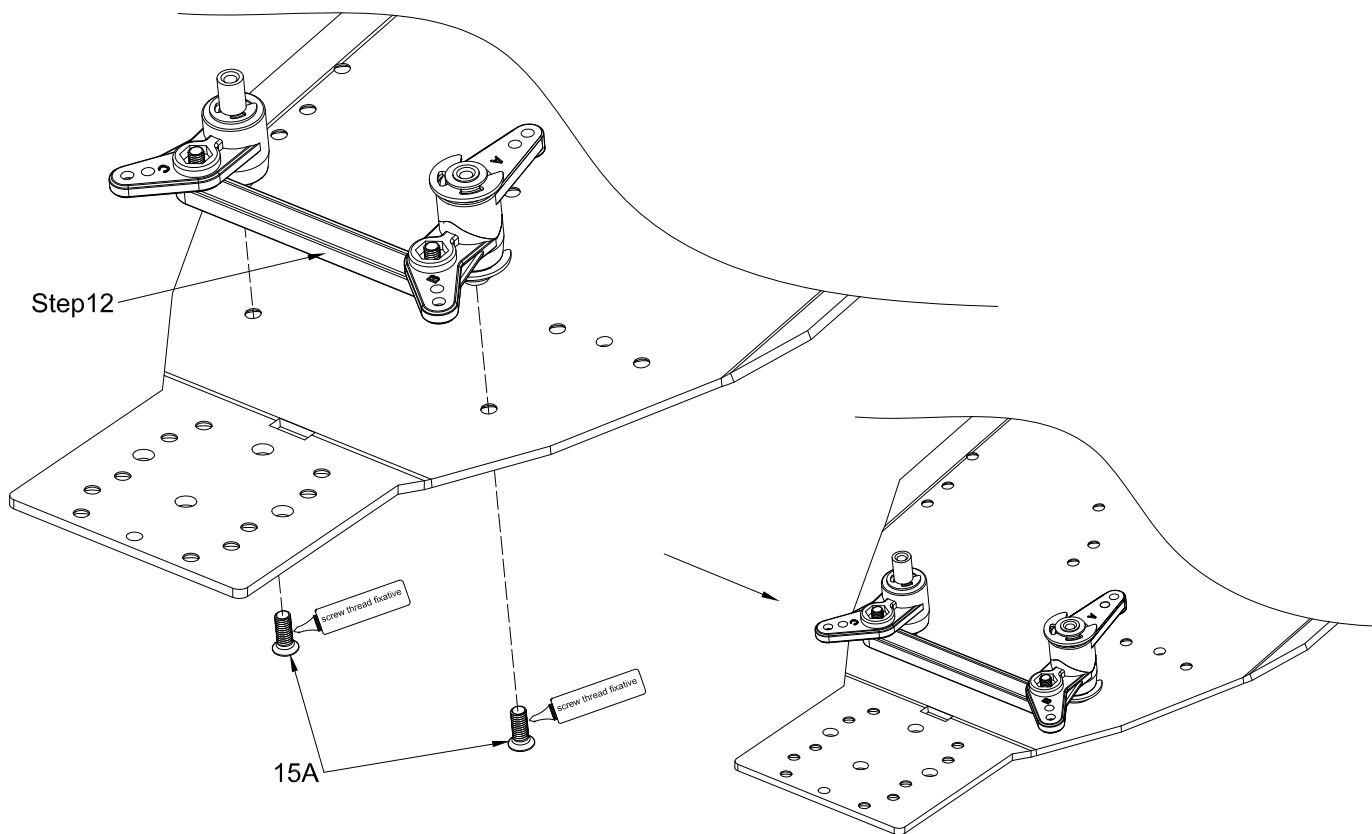


steering pulling rod

15



15A-Screw3*8 2PCS



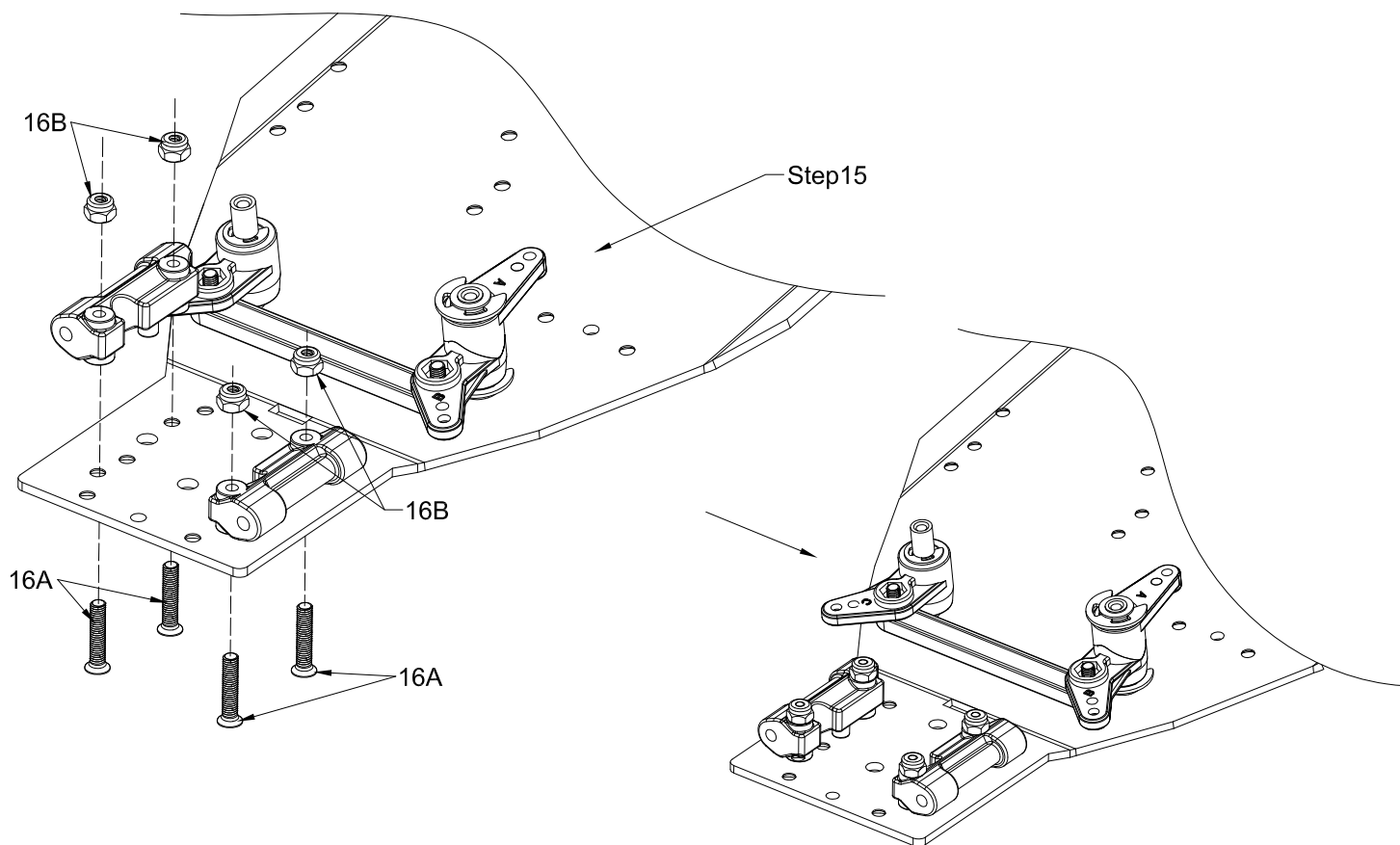
16



16A-Screw3*15 4PCS



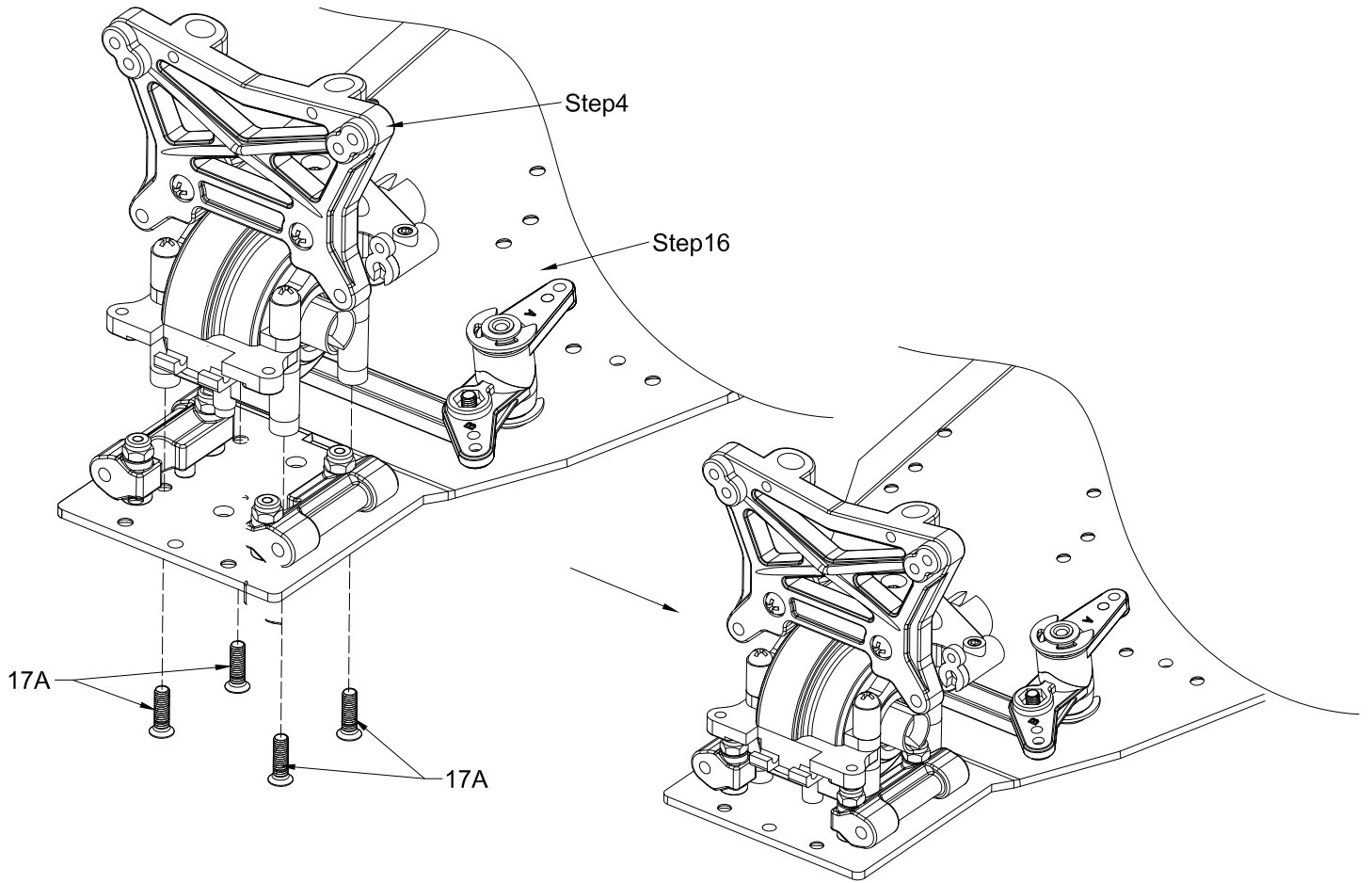
16B-Lock Nut M3 4PCS



17



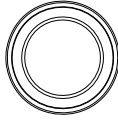
17A-Screw3*10 4PCS



18



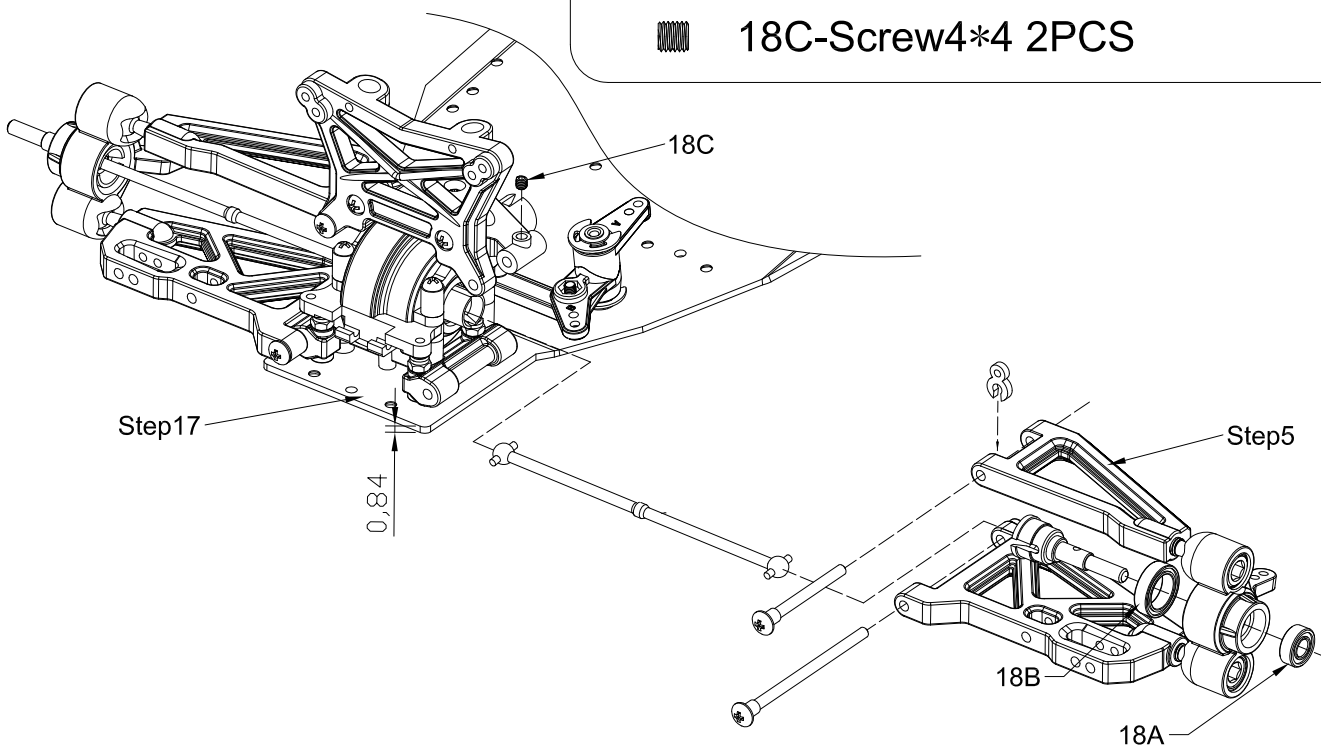
18A-Bearing 5*11*4 2PCS



18B-Bearing 10*15*4 2PCS

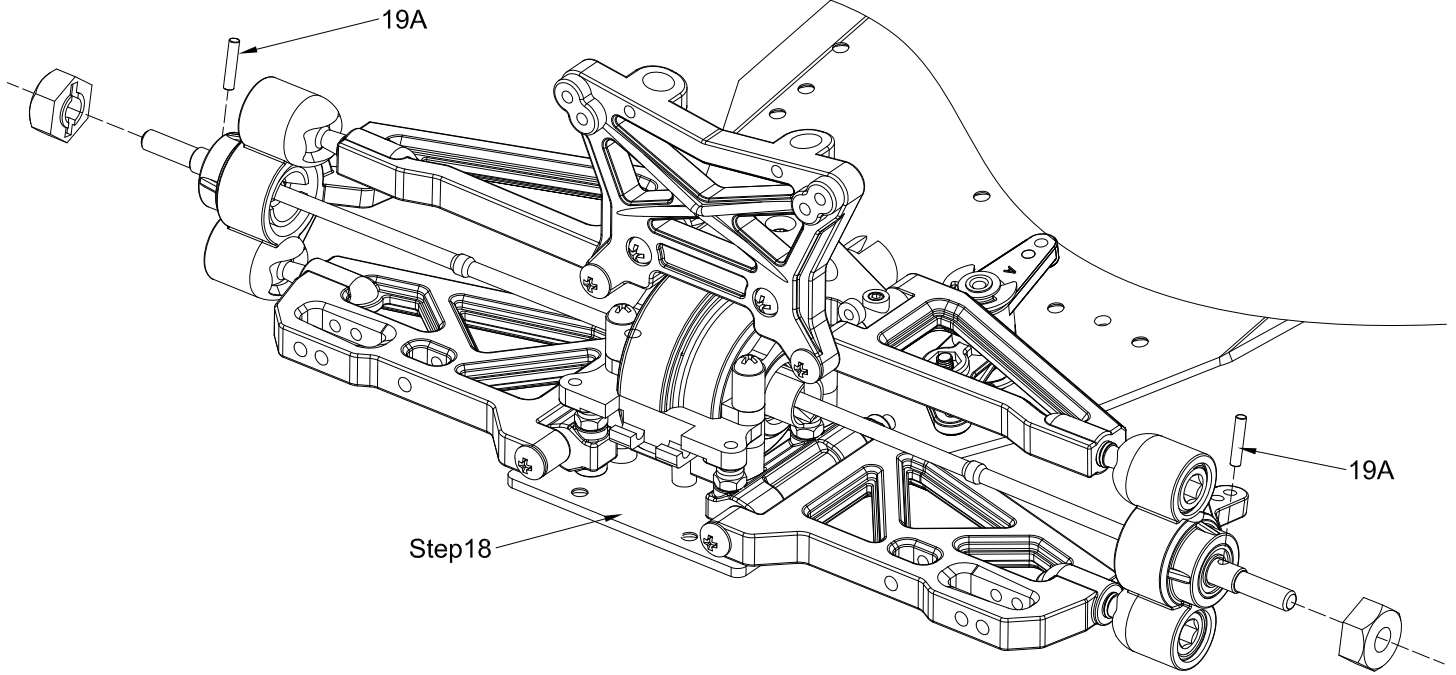


18C-Screw4*4 2PCS



19

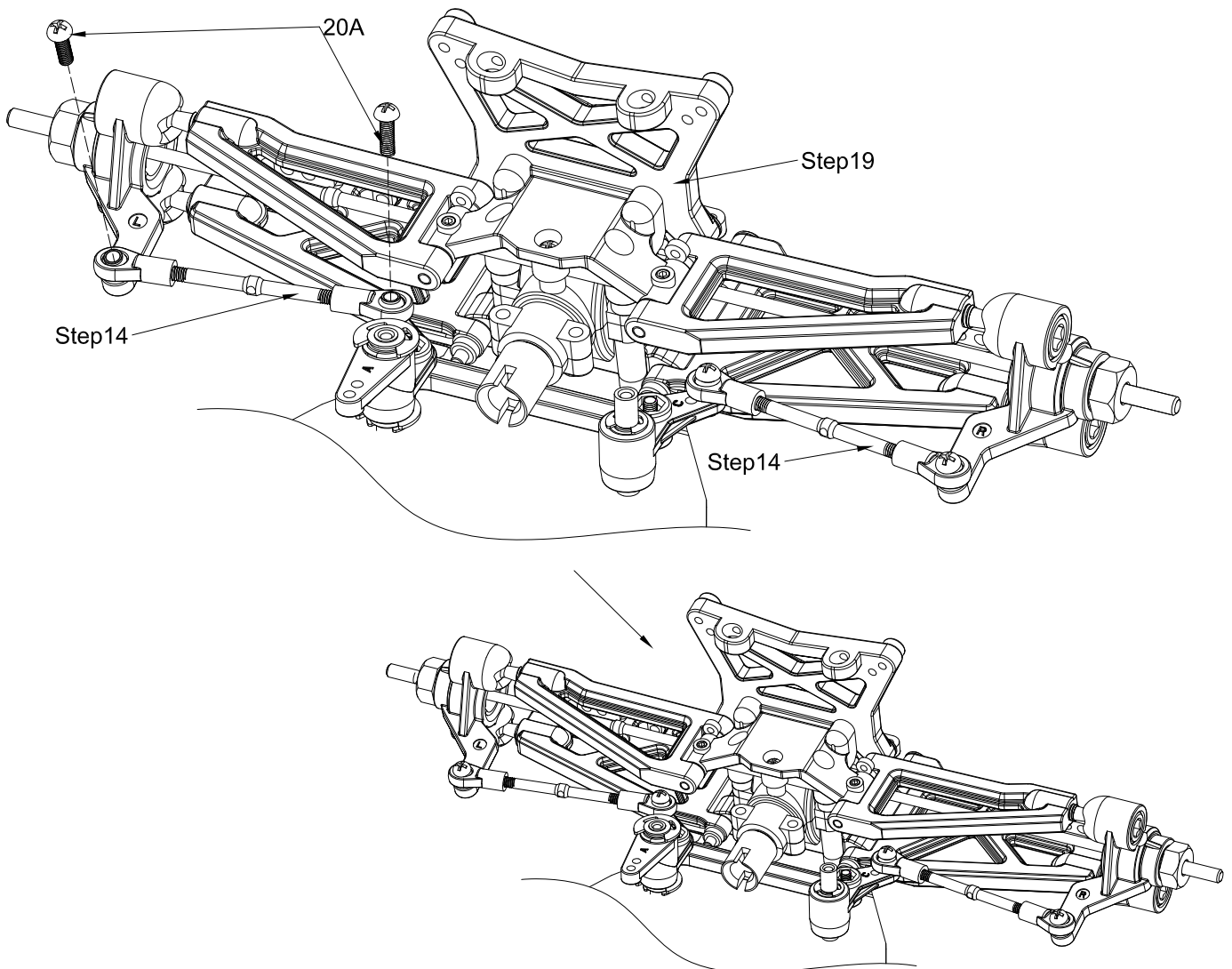
19A-Pin2*10 2PCS



20



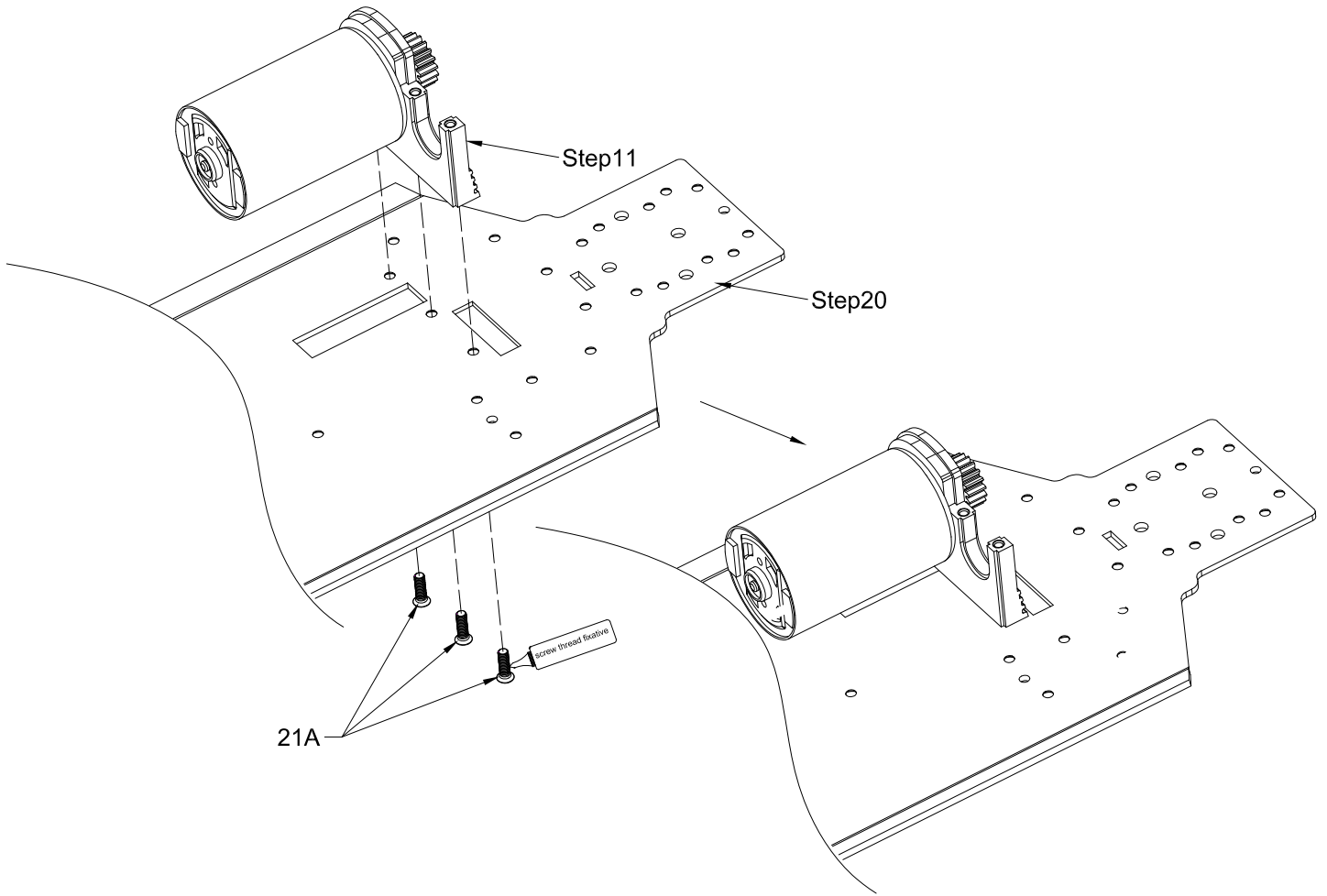
20A-Screw3*10 4PCS



21



21A-Screw3*10 3PCS



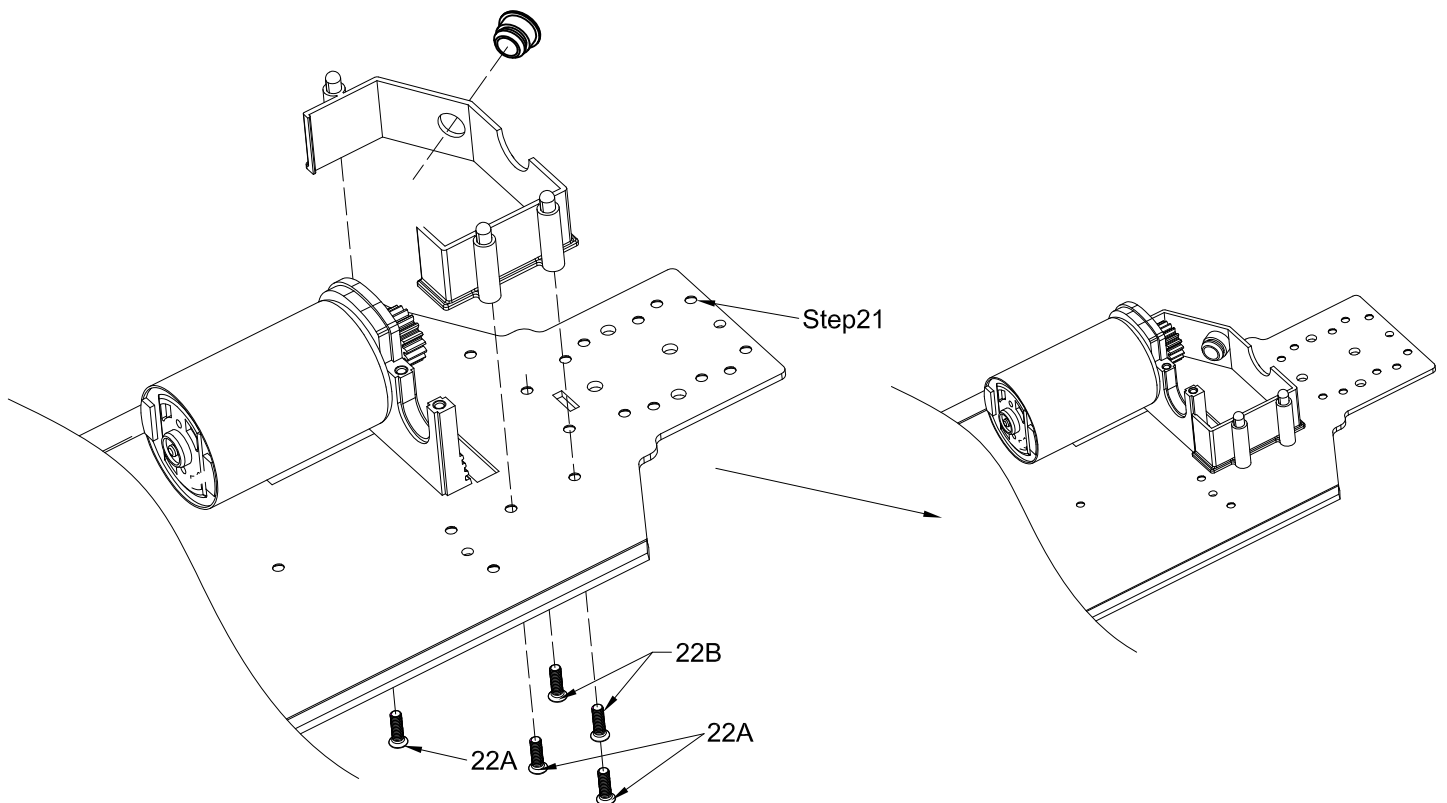
22



22A-Screw3*10 5PCS



22B-Screw3*8 2PCS



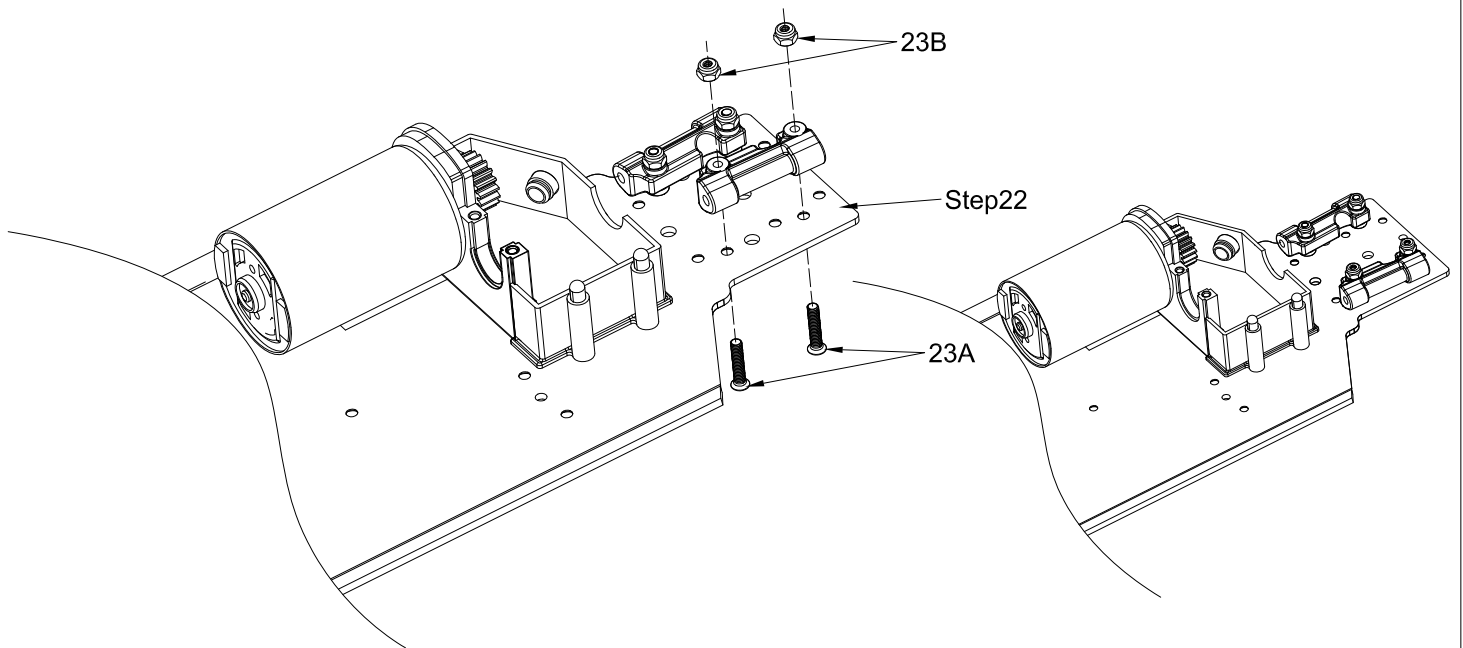
23



23A-Screw3*15 4PCS



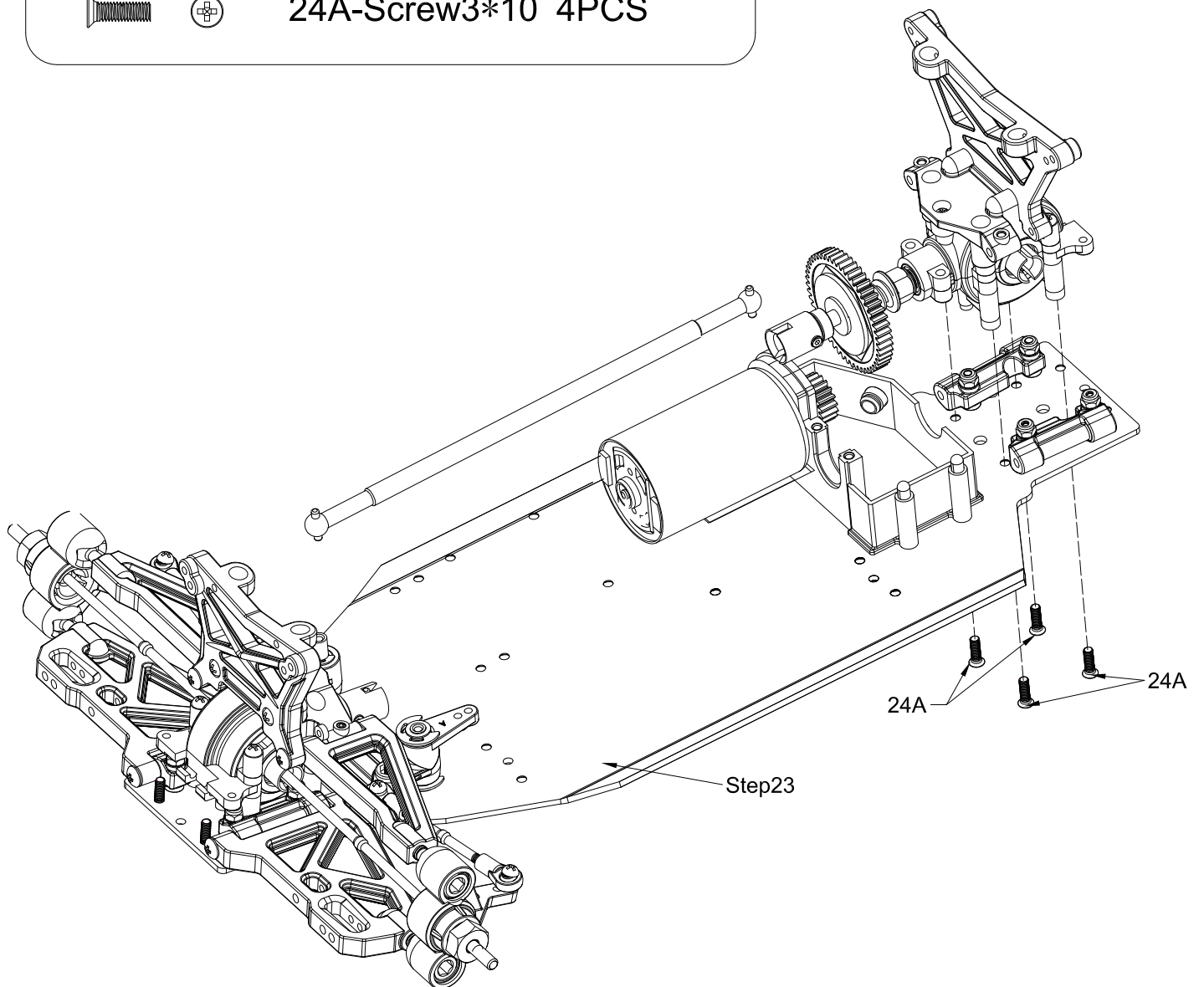
23B-Lock Nut M3 4PCS



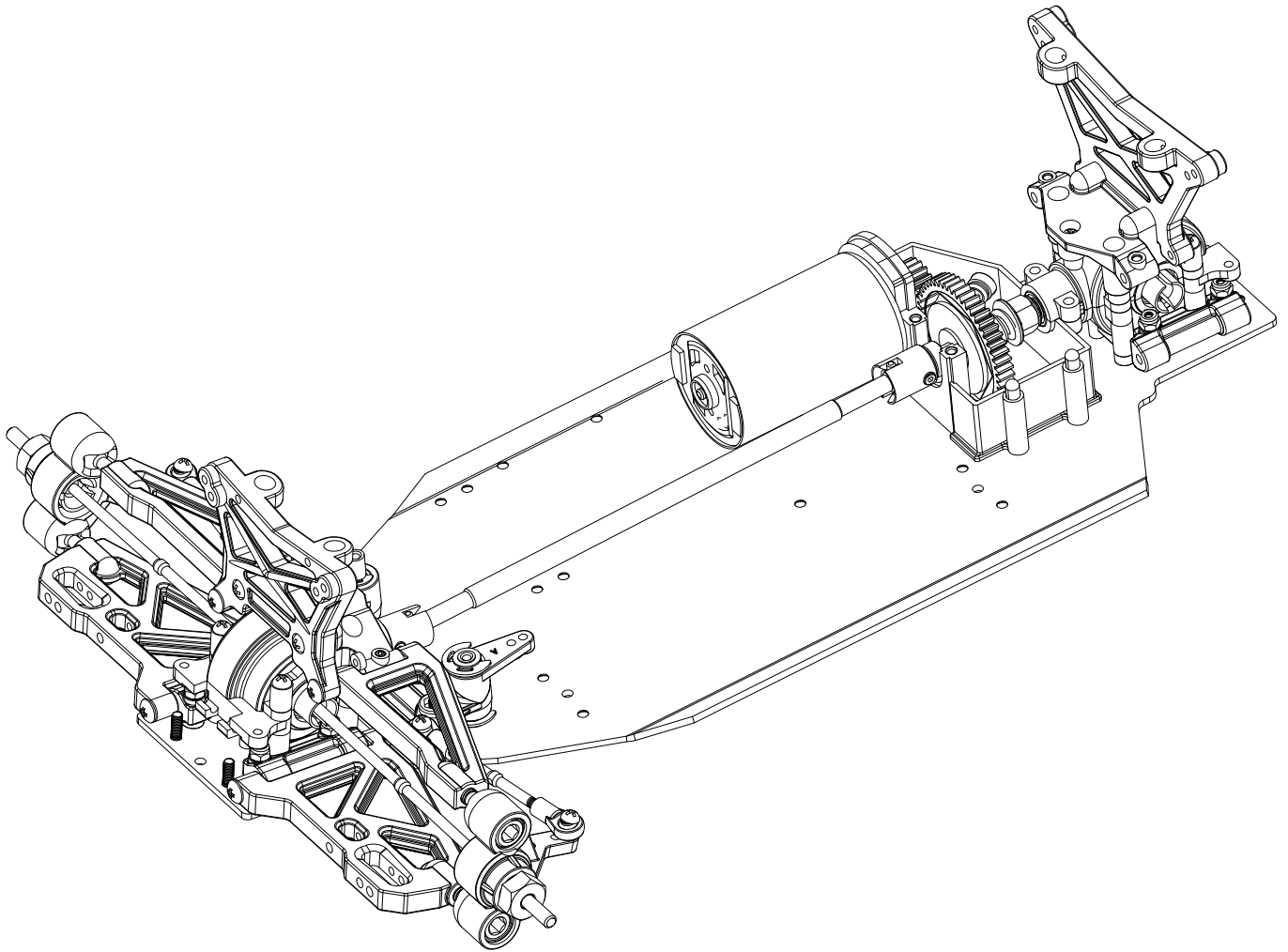
24



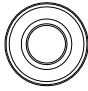

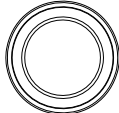


24A-Screw3*10 4PCS

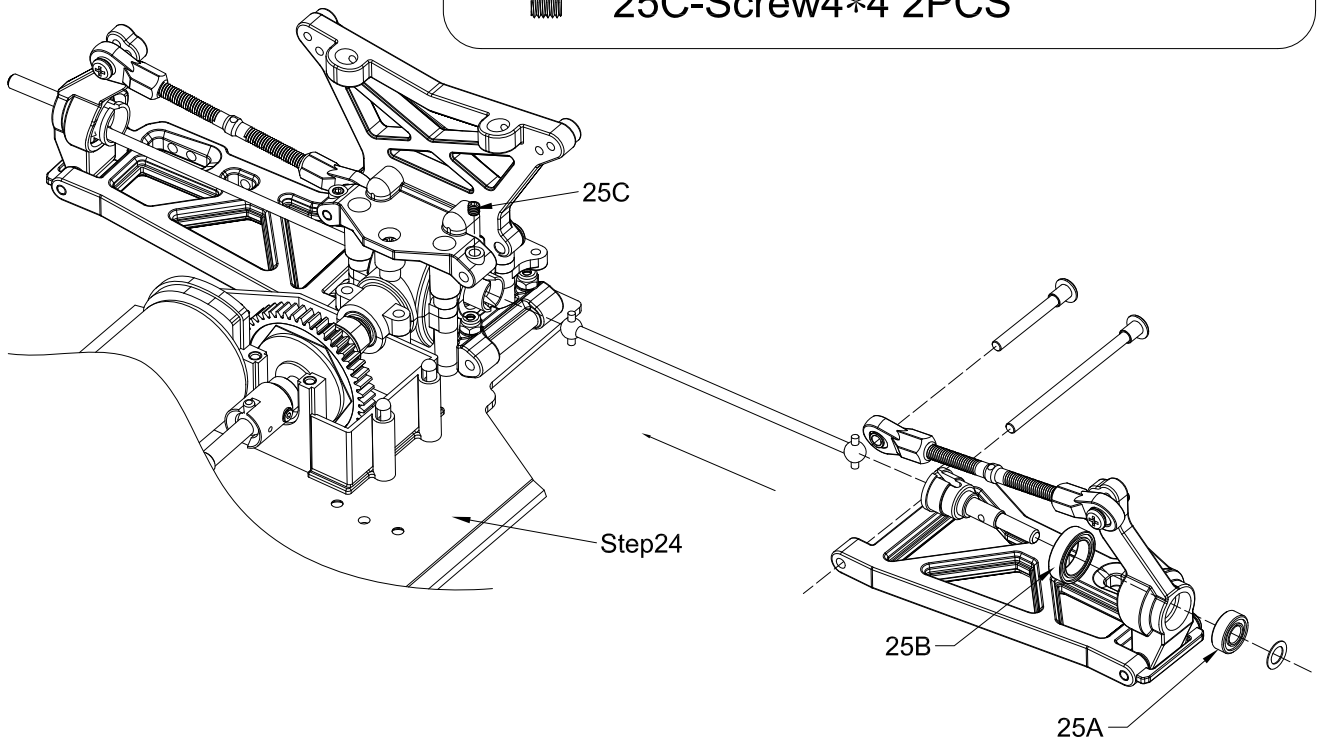


24



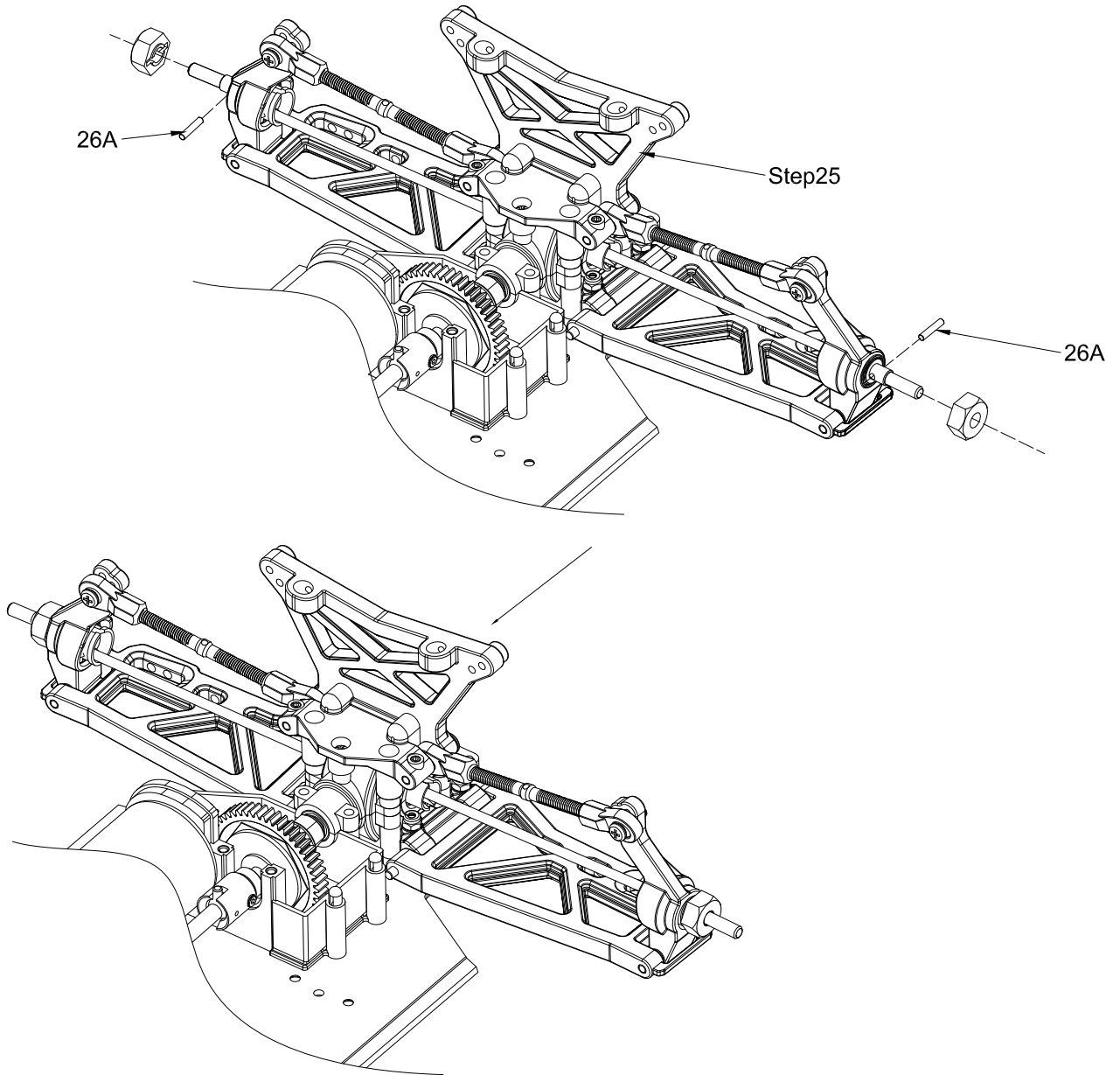
25

		25A-Bearing 5*11*4 2PCS
		25B-Bearing 10*15*4 2PCS
		25C-Screw 4*4 2PCS



26

26A-Pin2*10 2PCS



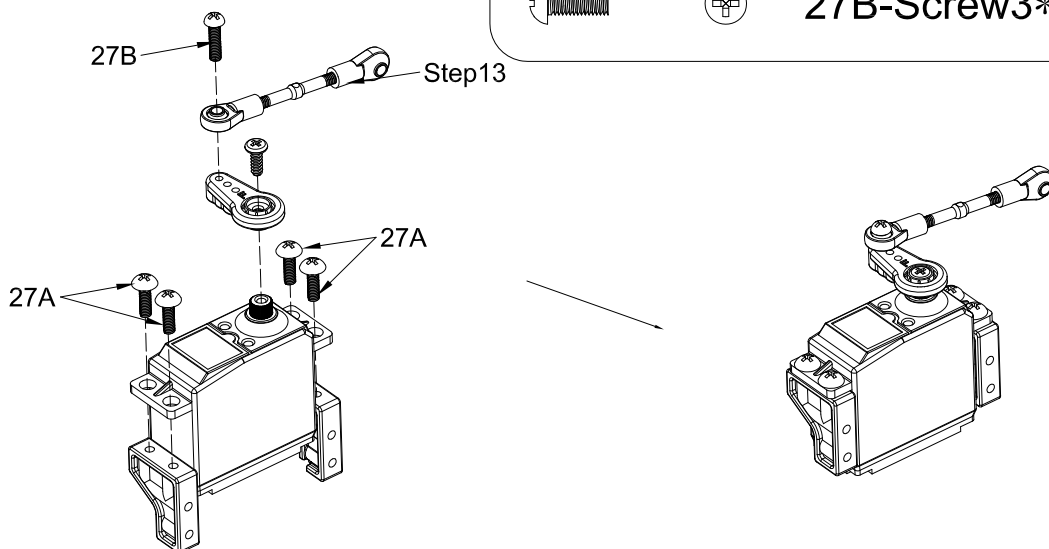
27



27A-Screw3*10 4PCS



27B-Screw3*8 1PC

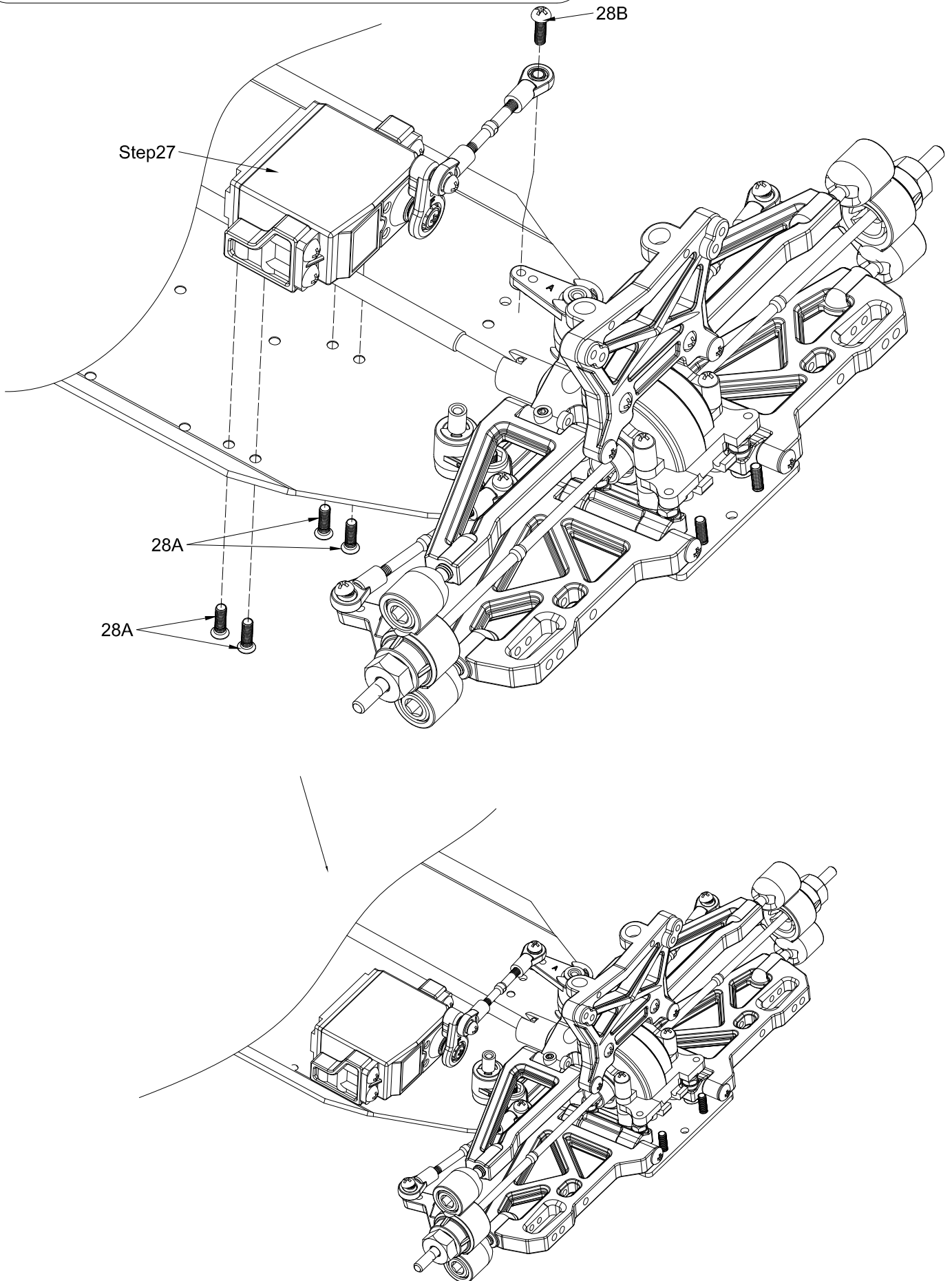




28A-Screw3*10 4PCS



28B-Screw3*10 1PC





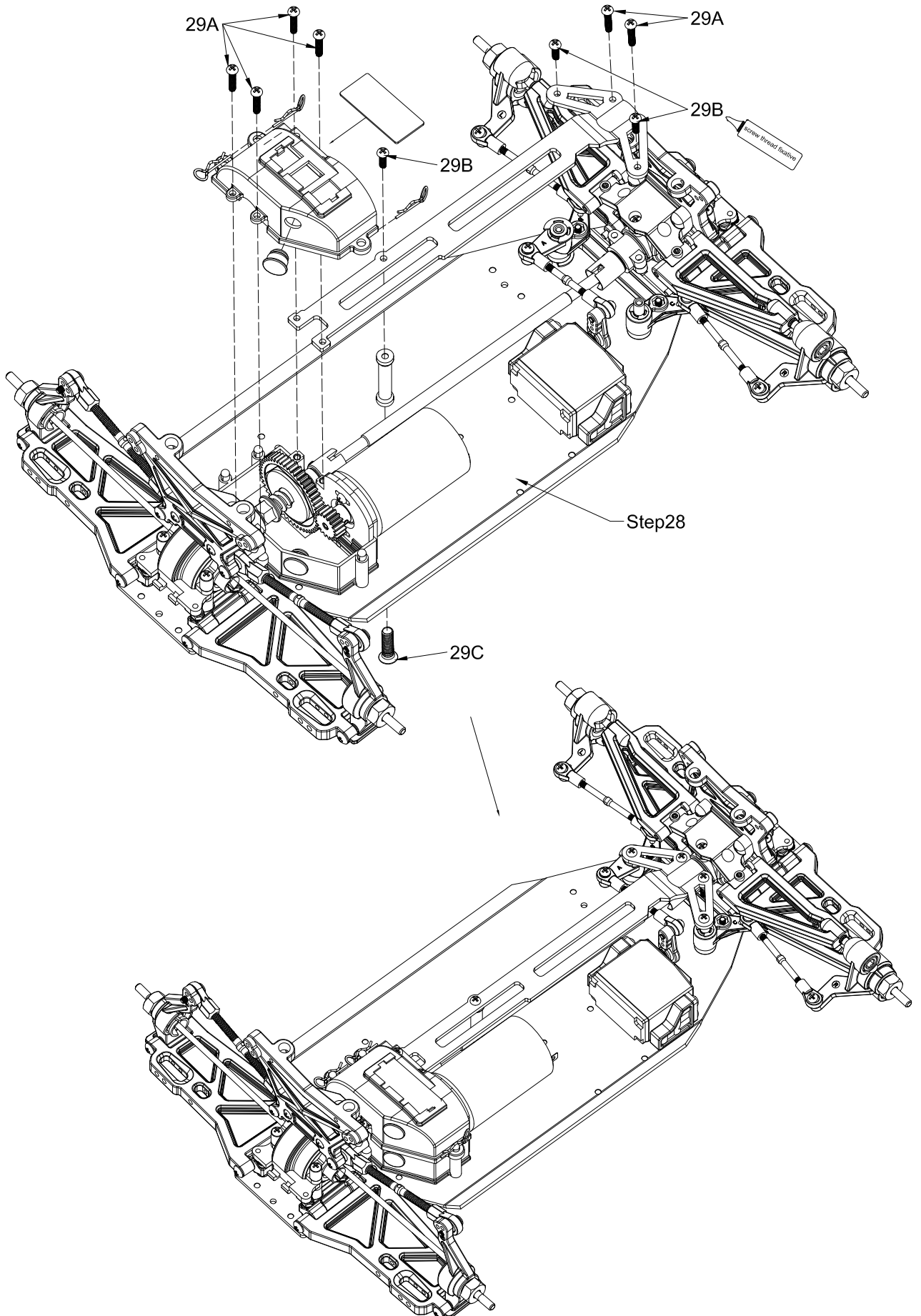
29A-Screw3*15 6PCS



29B-Screw3*10 3PCS

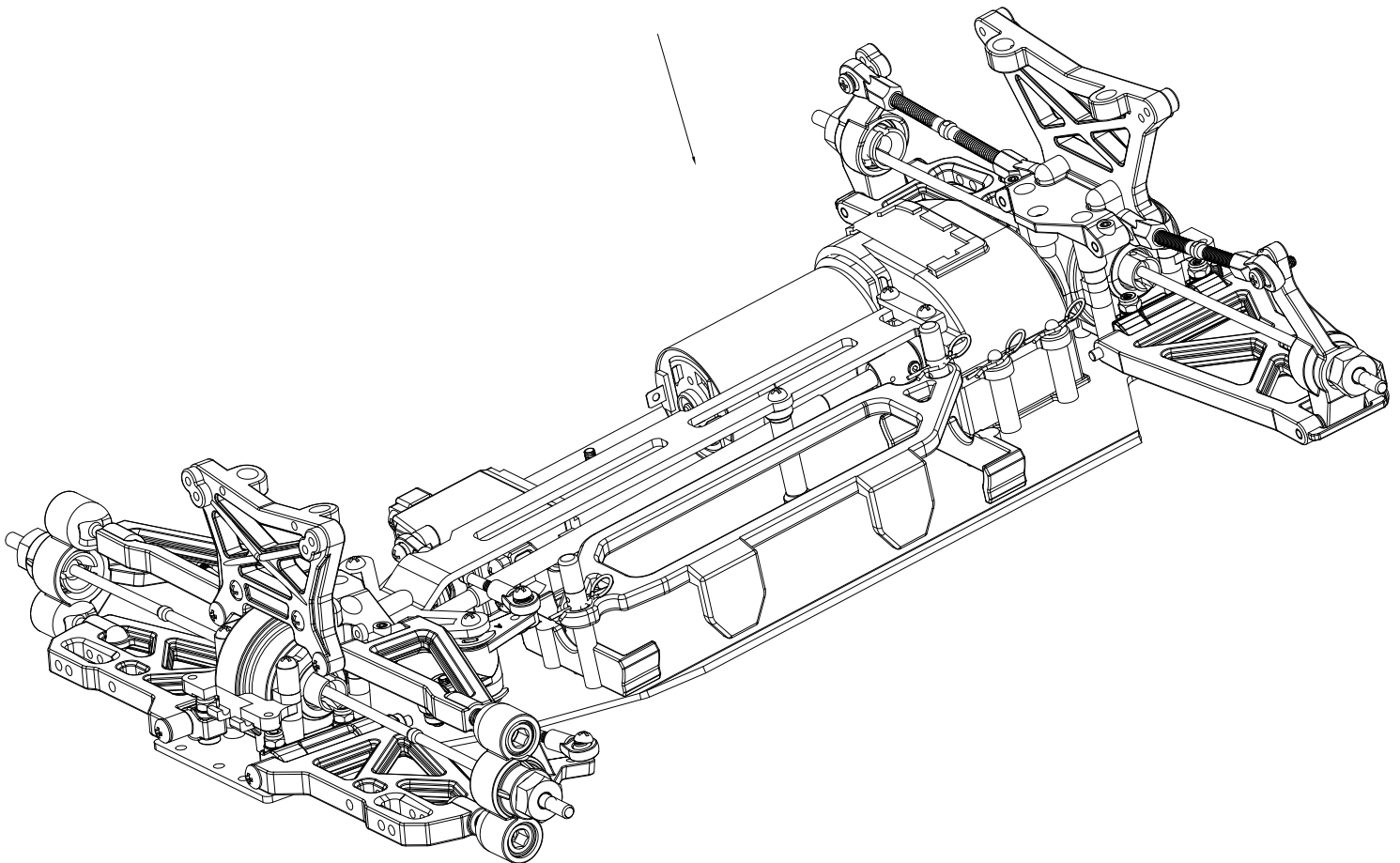
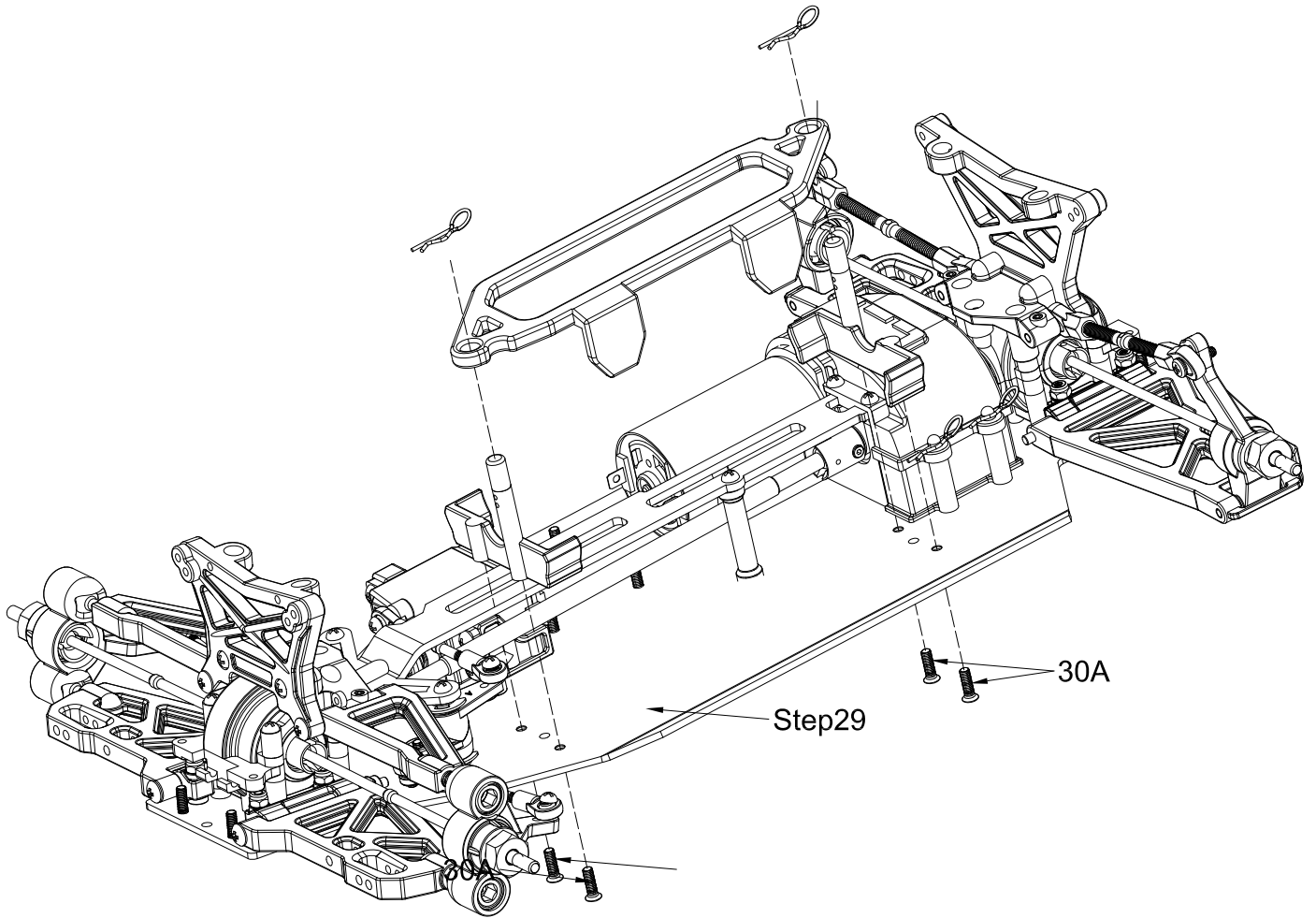


29C-Screw3*10 1PC

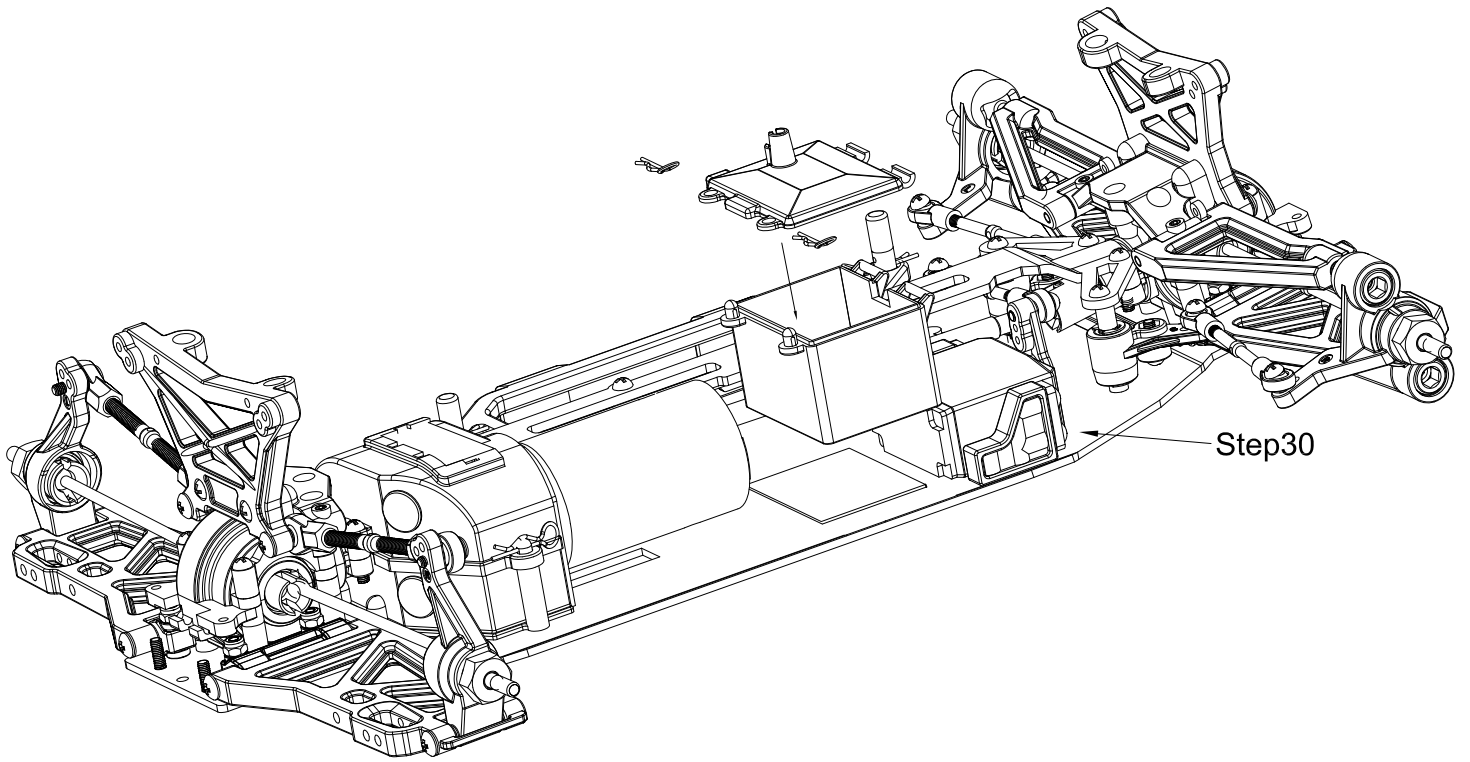




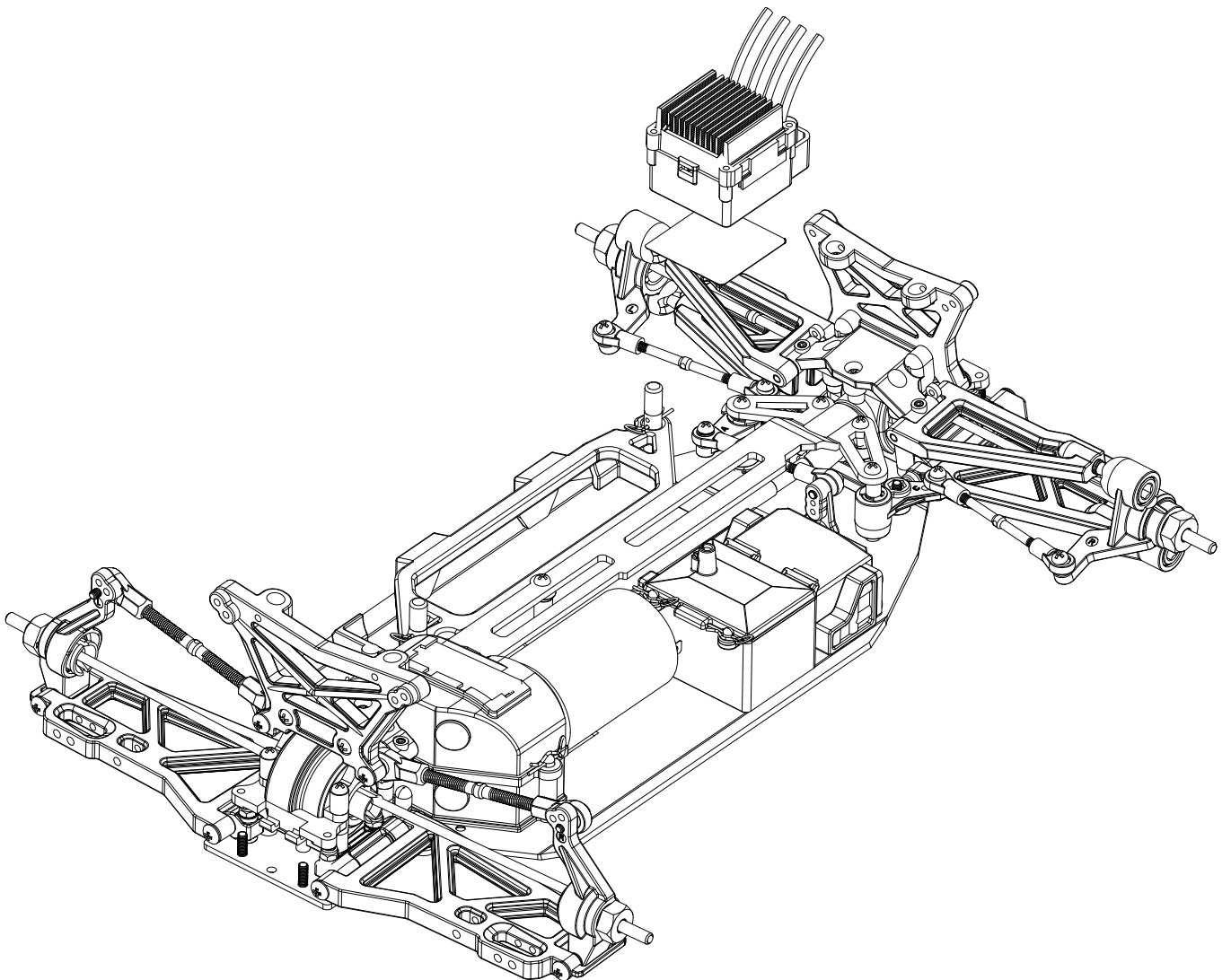
30A-Screw3*10 4PCS



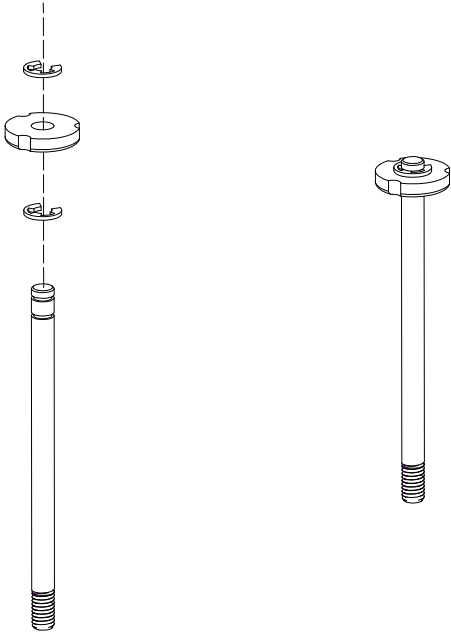
31



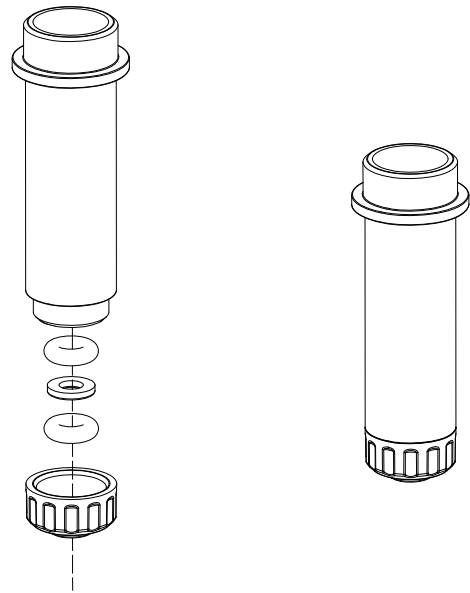
32



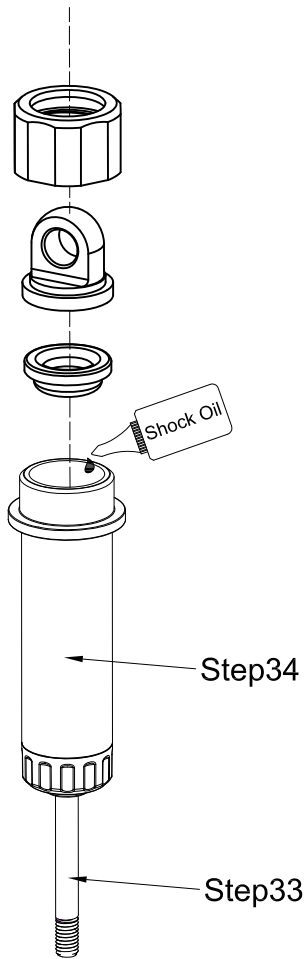
33



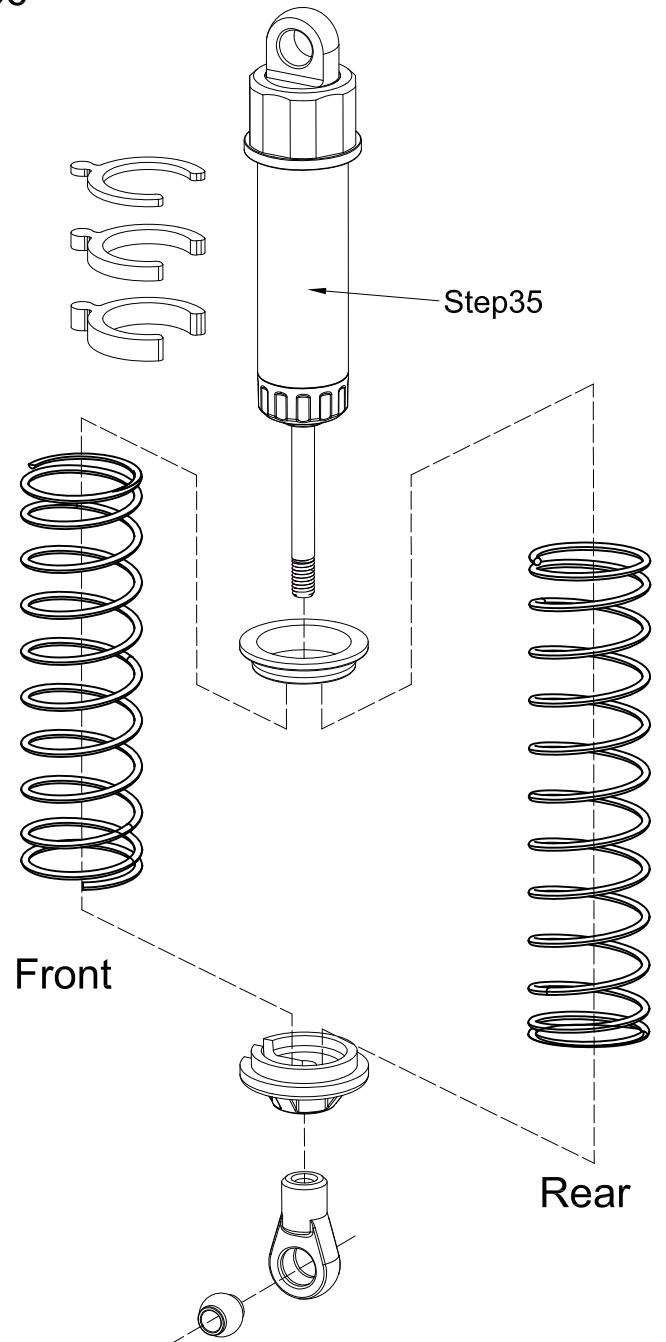
34







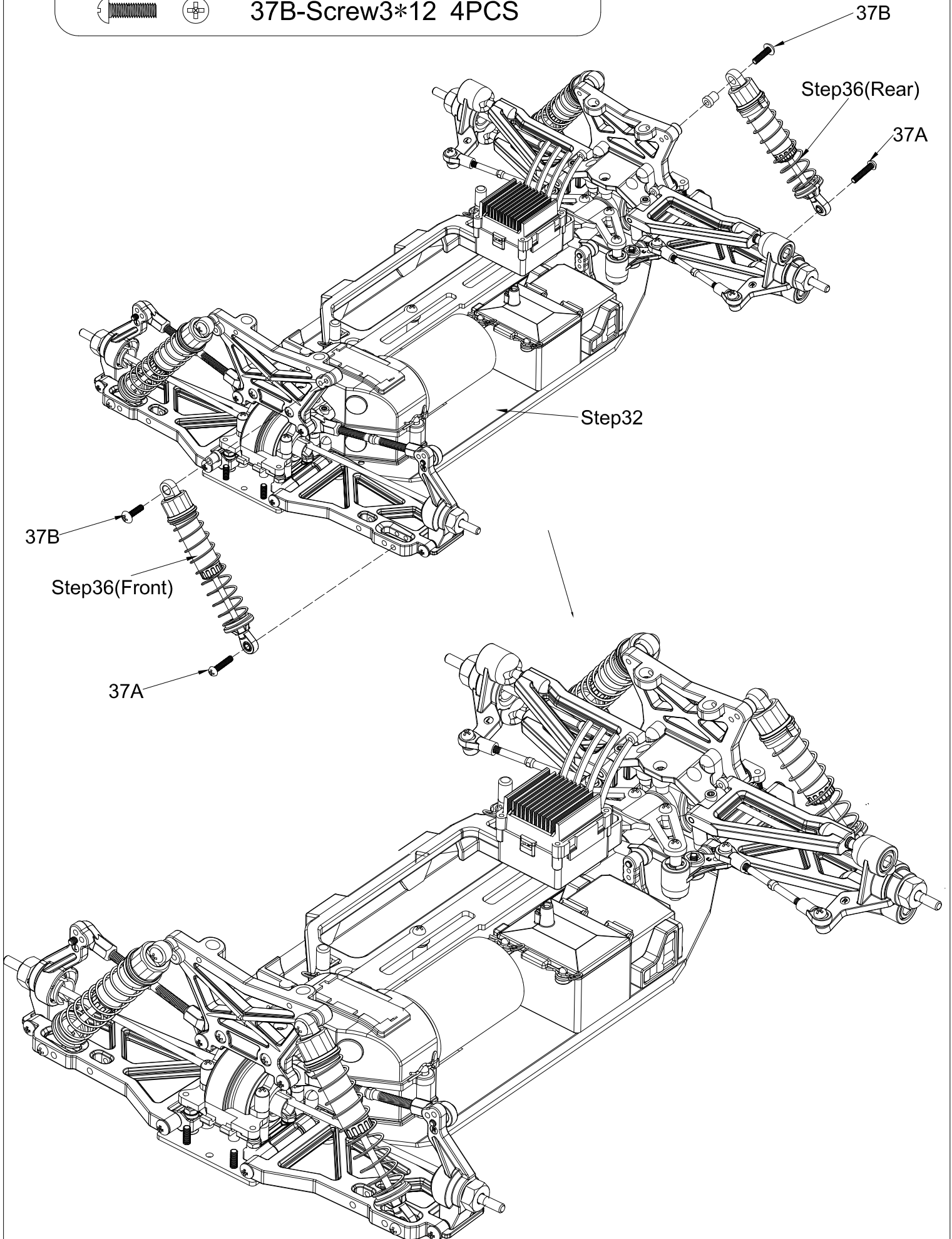
35



36



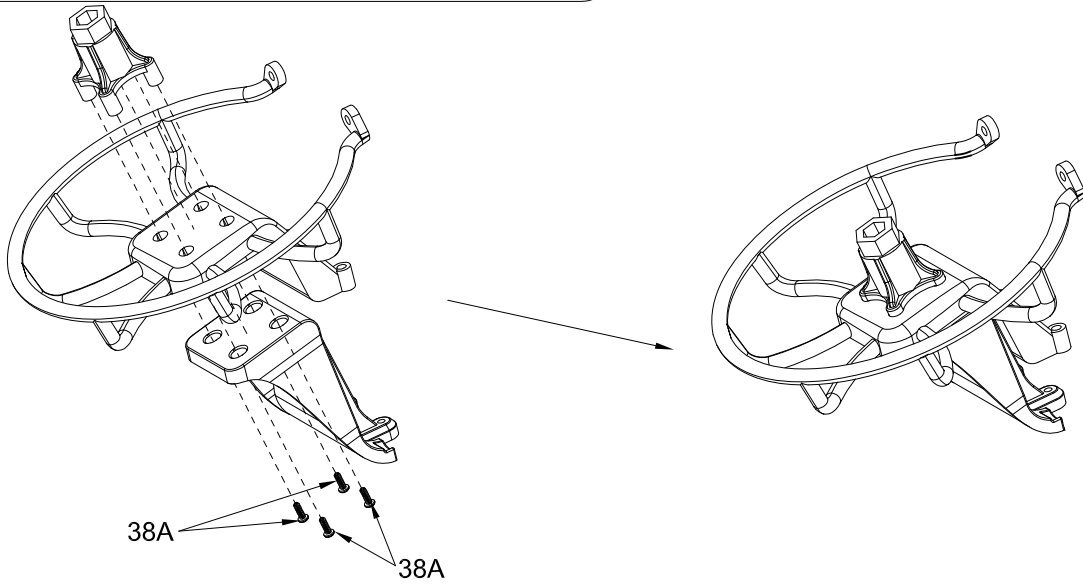
-   37A-Screw3*15 4PCS
-   37B-Screw3*12 4PCS



38



38A-Screw3*8 4PCS



39



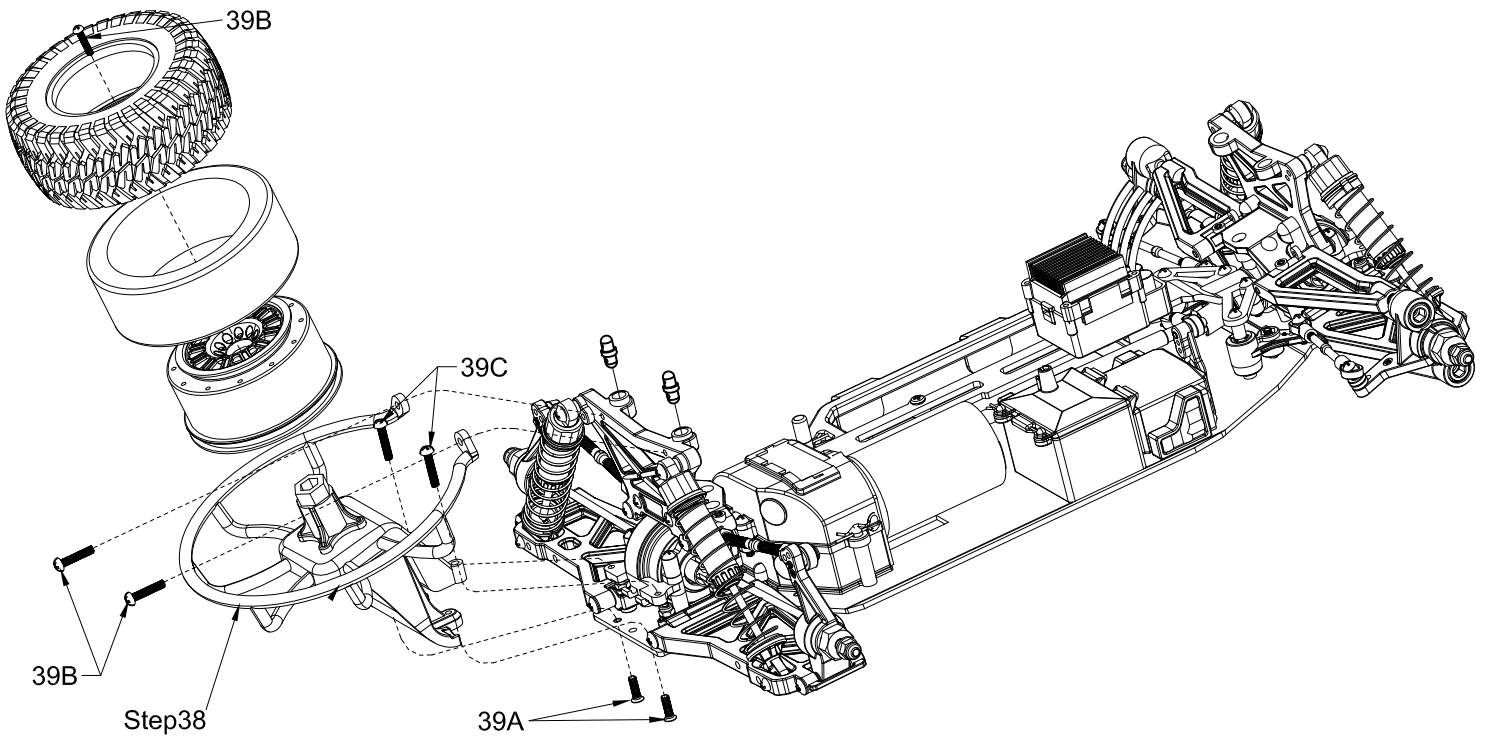
39A-Screw3*10 2PCS





39B-Screw3*15 3PCS

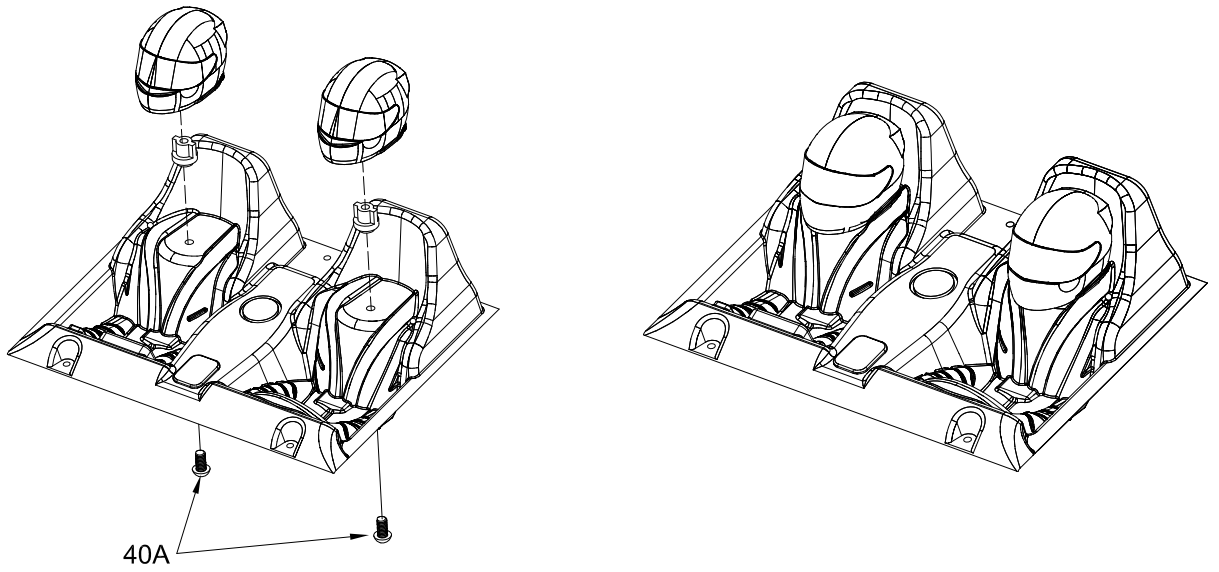


39C-Screw3*12 2PCS













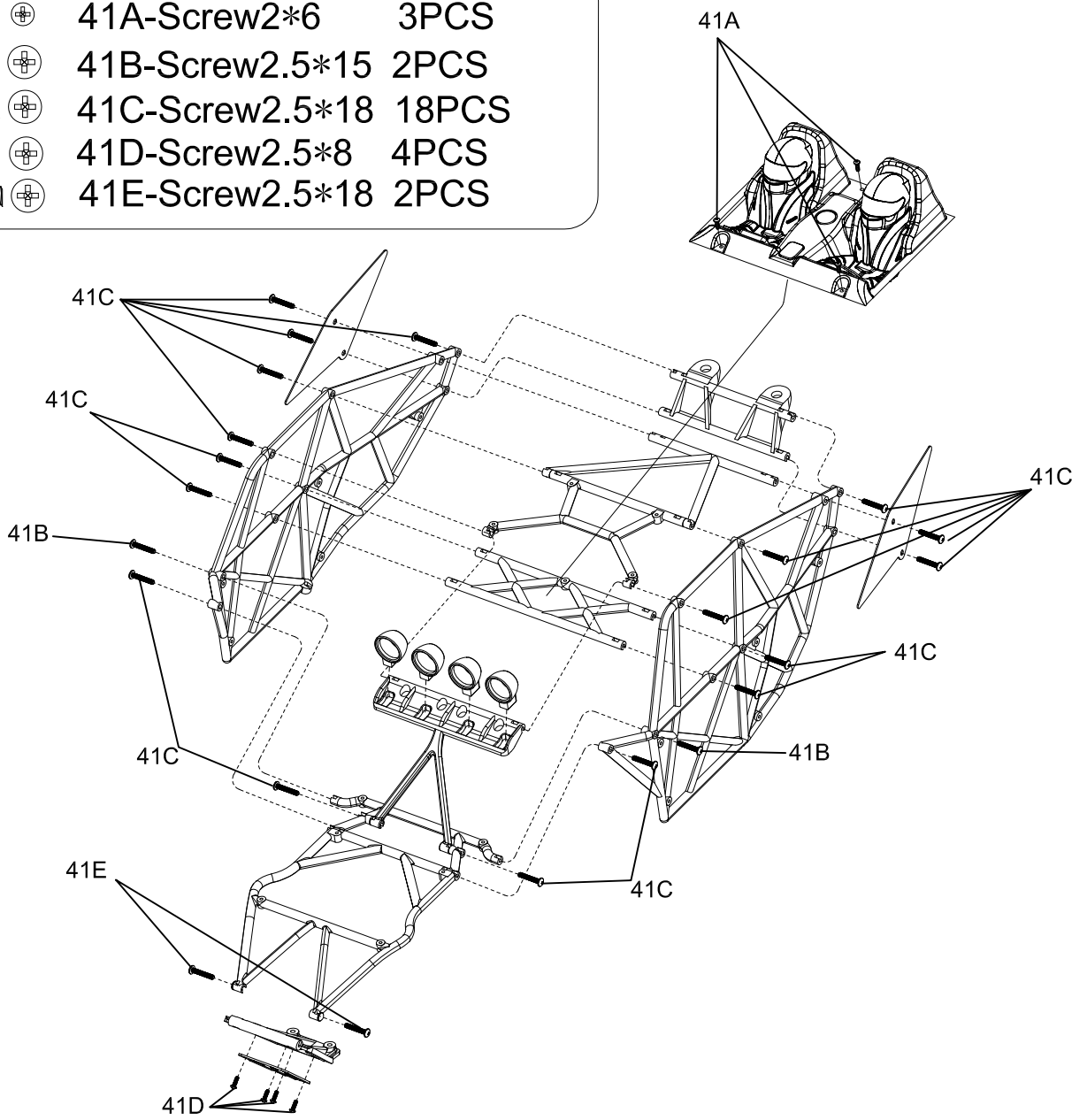
40

		40A-Screw3*8 2PCS
---	---	--------------------------



41

		41A-Screw2*6 3PCS
		41B-Screw2.5*15 2PCS
		41C-Screw2.5*18 18PCS
		41D-Screw2.5*8 4PCS
		41E-Screw2.5*18 2PCS

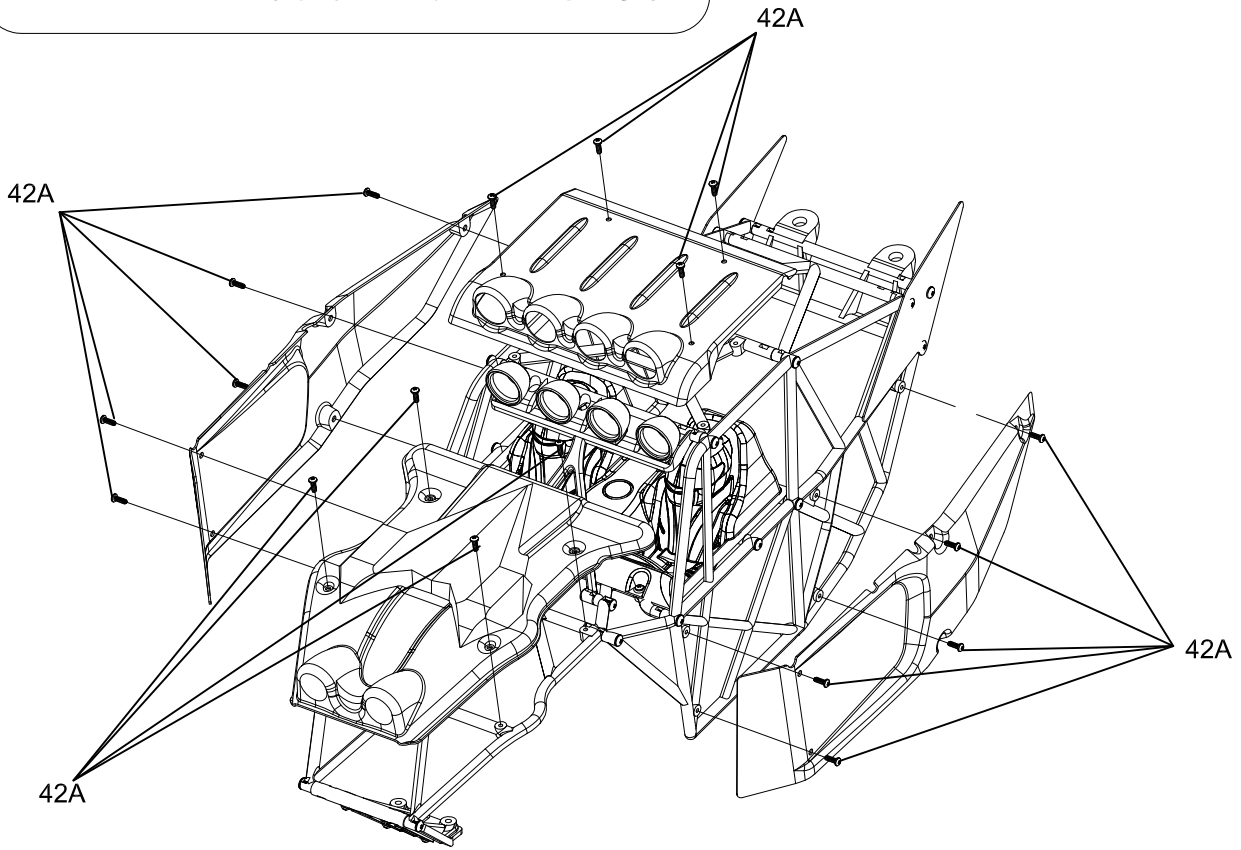


42



42A-Screw2*6

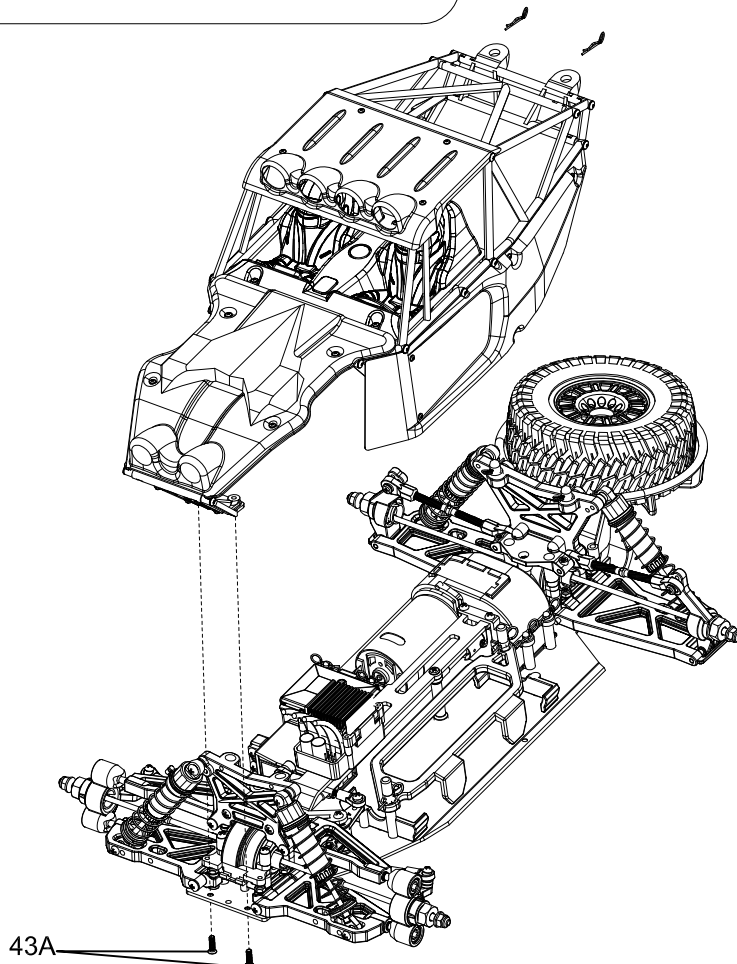
18PCS



43



43A-Screw3*10 2PCS





44A-Lock Nut M4 4PCS

