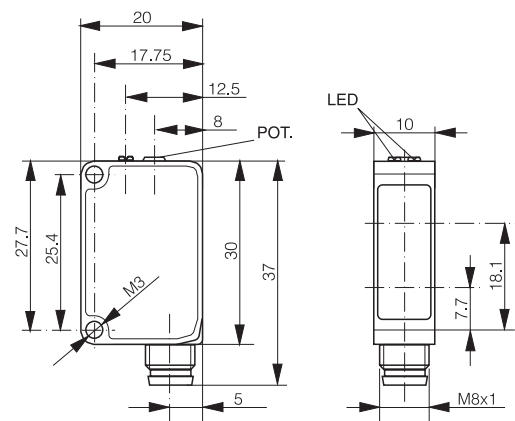
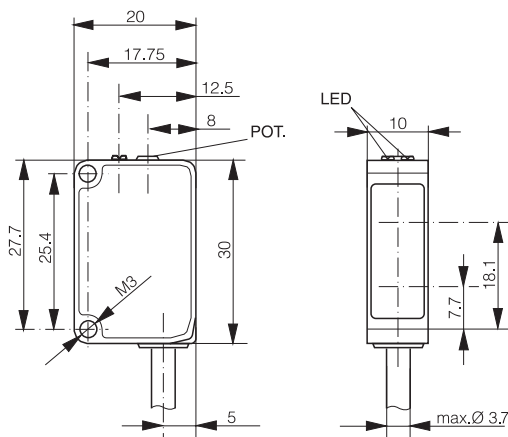


1'500 mm

- ✓ Miniature housing
- ✓ Sensitivity adjustment via potentiometer
- ✓ IO-Link
- ✓ Calibrated range
- ✓ Cross-talk immunity



OPTICAL DATA

Sensing range max.	3...1'500 mm ¹
Operating range	5...1'200 mm ¹
Light source	LED, red 630 nm
Light spot size (distance)	Ø 15 mm (500 mm)/Ø 26 mm (1 m)

INTERFACE

Sensitivity adjustment	30...1'500 mm, 3/4-turn pot.
Indicator led, green	Excess gain
Indicator led, yellow	Sensing state
IO-Link	✓

¹Object with 90% reflectance (standard white paper)

ELECTRICAL DATA

Supply voltage range (U _b)	10...30 VDC
Residual ripple	≤ 10% V _{pp}
Output current	≤ 100 mA
Signal PNP high/low	≤ (U _b -2.0 V)/approx. 0 V
Signal NPN high/low	Approx. U _b ≤ 2.0 V
Power consumption (no load)	≤ 15 mA
Response time ¹	≤ 340 μs (normal)/≤ 1 ms/≤ 100 μs
Switching frequency ¹	≤ 1.5 kHz (normal)/≤ 500 Hz/≤ 5 kHz
Short circuit protection	✓
Voltage reversal protection	✓

MECHANICAL DATA

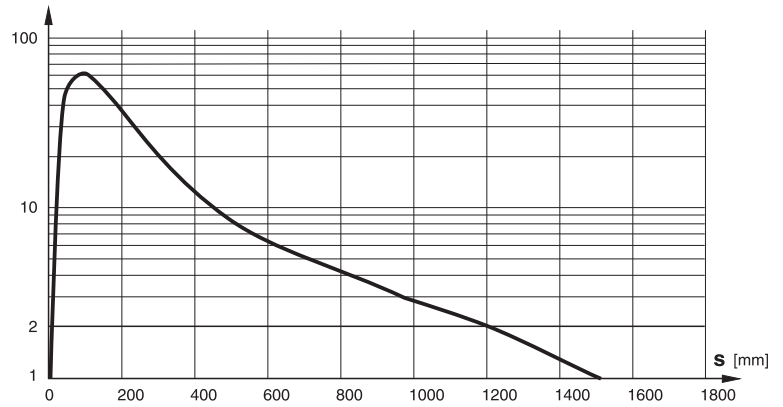
Enclosure rating	IP67
Ambient temperature operation	-25...+65°C
Shock and vibration	IEC 60947-5-2
Weight (connector version)	6 g
Weight (cable version)	36 g (3-wire)/42 g (4-wire)
Housing material	ABS
Window material	PMMA
Connection cable	PVC, 2 m, 3-wire or 4-wire
Connector type	M8 3-pin or 4-pin

¹By default, "Normal" mode. "Fine" and "Fast" modes selectable via IO-Link.

SENSING RANGE

EXCESS GAIN

Target	Operating range	Sensing range max.
90%	5...1'200 mm	3...1'500 mm
18%	15...500 mm	10...700 mm
6%	40...300 mm	30...450 mm

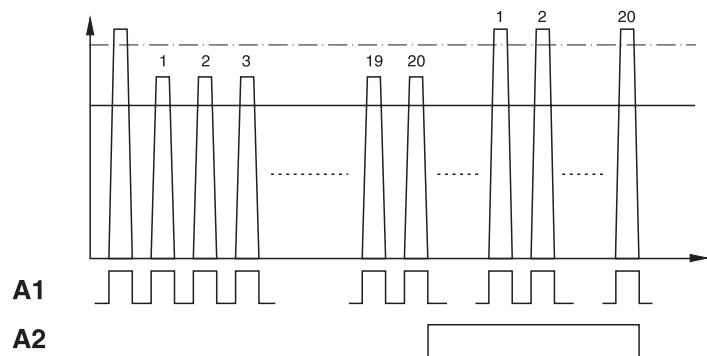


IO-LINK FUNCTIONALITIES

STABILITY ALARM OUTPUT (A2)

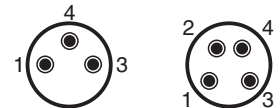
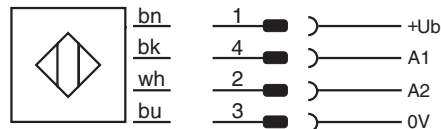
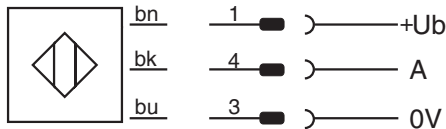
IO-Link version	1.0
SIO mode	Supported
Process data	Detection state & stability alarm
Baudrate	COM2 (38.4 kBaud)
Special functions	Output configuration, output timing, sensor mode, detection counter, event flags, maximum and actual sensor temperature

IO-Link specifications and IODD files may be downloaded from www.contrinex.com (Download section)



WIRING DIAGRAM

PIN ASSIGNMENT



AVAILABLE TYPES

Part number	Part reference	Polarity	Connection	Output (A1)	Output (A2)
620 600 100	LTR-C23PA-PMK-403	PNP	PVC, 2 m, 3-wire	Light-on/IO-Link	-
620 600 101	LTR-C23PA-PMK-603	PNP	PVC, 2 m, 4-wire	Light-on/IO-Link	Dark-on
620 600 102	LTR-C23PA-PMK-60C	PNP	PVC, 2 m, 4-wire	Light-on/IO-Link	Stability alarm
620 600 103	LTR-C23PA-PMK-301	NPN	PVC, 2 m, 3-wire	Light-on	-
620 600 104	LTR-C23PA-PMK-101	NPN	PVC, 2 m, 4-wire	Light-on	Dark-on
620 600 105	LTR-C23PA-PMK-10A	NPN	PVC, 2 m, 4-wire	Light-on	Stability alarm
620 600 106	LTR-C23PA-PMS-403	PNP	Connector M8 3-pin	Light-on/IO-Link	-
620 600 107	LTR-C23PA-PMS-603	PNP	Connector M8 4-pin	Light-on/IO-Link	Dark-on
620 600 108	LTR-C23PA-PMS-60C	PNP	Connector M8 4-pin	Light-on/IO-Link	Stability alarm
620 600 109	LTR-C23PA-PMS-301	NPN	Connector M8 3-pin	Light-on	-
620 600 110	LTR-C23PA-PMS-101	NPN	Connector M8 4-pin	Light-on	Dark-on
620 600 111	LTR-C23PA-PMS-10A	NPN	Connector M8 4-pin	Light-on	Stability alarm

Note: additional suffix can appear to indicate a revision version or a special version.

These proximity switches **must not be used** in applications where the **safety of people** is dependent on their functioning. Terms of delivery and rights to change design reserved.