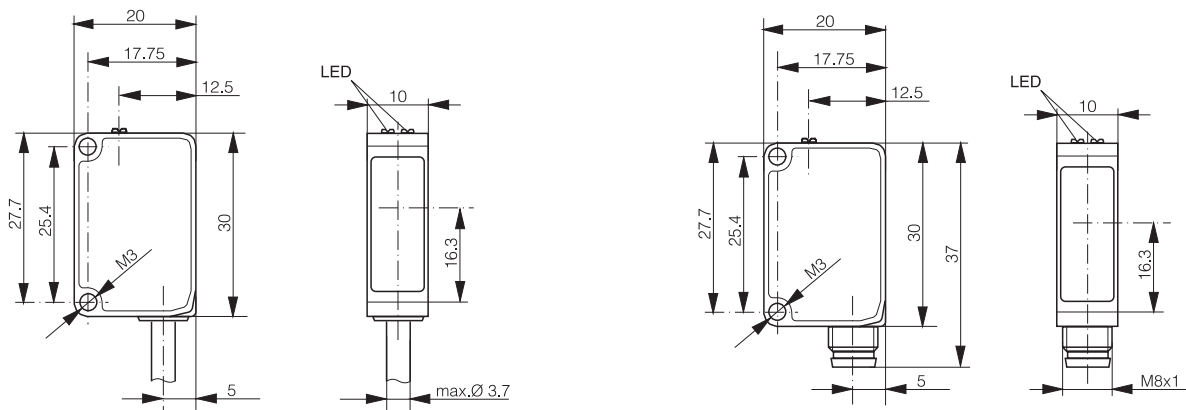


30'000 mm

- ✓ Miniature housing
- ✓ IO-Link
- ✓ Sensitivity adjustment via IO-Link
- ✓ Calibrated range
- ✓ Emitting sequence selection via IO-Link
- ✓ Alignment aid

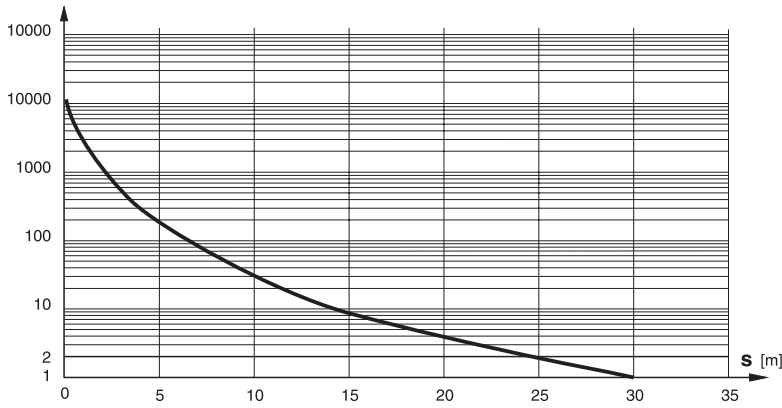


OPTICAL DATA		INTERFACE	
Sensing range typ. max.	0...30'000 mm	Sensitivity adjustment	2'000...30'000 mm, IO-Link
Operating range	0...25'000 mm	Indicator led, green	Excess gain
Light source	LED, red 630 nm	Indicator led, yellow	Sensing state
Light spot size (distance)	Ø 15 mm (300 mm)/Ø 120 mm (4 m)/ Ø 300 mm (10 m)	IO-Link	✓
		Alignment aid	✓ (on -322 versions only)

ELECTRICAL DATA		MECHANICAL DATA	
Supply voltage range (U _b)	10...30 VDC	Enclosure rating	IP67
Residual ripple	≤ 10% V _{pp}	Ambient temperature operation	-25...+65°C
Output current	≤ 100 mA	Shock and vibration	IEC 60947-5-2
Signal PNP high/low	≤ (U _b -2.0 V)/approx. 0 V	Weight (connector version)	6 g
Signal NPN high/low	Approx. U _b /≤ 2.0 V	Weight (cable version)	36 g (3-wire)/42 g (4-wire)
Power consumption (no load)	≤ 7 mA (emitter)/≤ 9 mA (receiver)	Housing material	ABS
Response time ¹	≤ 340 μs (normal)/≤ 1 ms/≤ 170 μs	Window material	PMMA
Switching frequency ¹	≤ 1.5 kHz (normal)/≤ 500 Hz/≤ 3 kHz	Connection cable	PVC, 2 m, 3-wire or 4-wire
Short circuit protection	✓	Connector type	M8 3-pin or 4-pin
Voltage reversal protection	✓		

¹By default, "Normal" mode. "Fine" and "Fast" modes selectable via IO-Link.

EXCESS GAIN

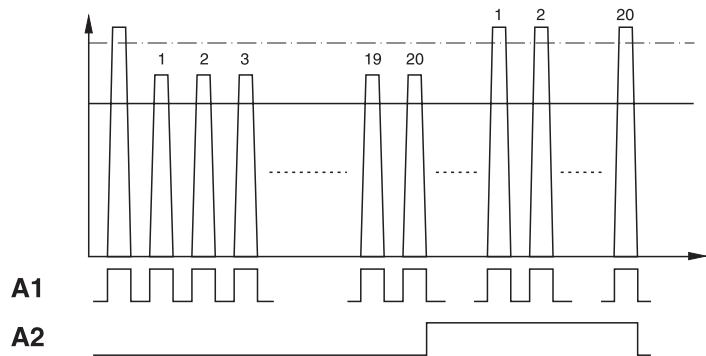


IO-LINK FUNCTIONALITIES

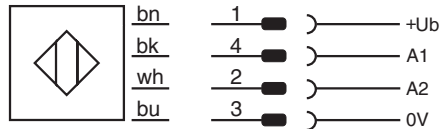
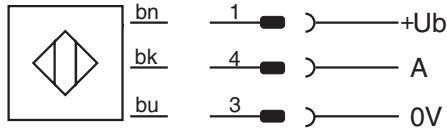
IO-Link version	1.0
SIO mode	Supported
Process data	Detection state & stability alarm
Baudrate	COM2 (38.4 kBaud)
Special functions	Output configuration, output timing, sensitivity, teach command, sequence choice, sensor mode, detection counter, event flags, maximum and actual sensor temperature

IO-Link specifications and IODD files may be downloaded from www.contrinex.com (Download section)

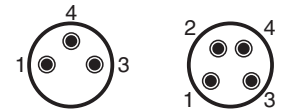
STABILITY ALARM OUTPUT (A2)



WIRING DIAGRAM



PIN ASSIGNMENT



AVAILABLE TYPES

Part number	Part reference	Polarity	Connection	Output (A1)	Output (A2)
620 600 126	LLR-C23PA-NMK-400	Emitter	PVC, 2 m, 3-wire	IO-Link	-
620 600 127	LLR-C23PA-NMS-400	Emitter	Connector M8 3-pin	IO-Link	-
620 600 128	LLR-C23PA-NMK-404	PNP	PVC, 2 m, 3-wire	Dark-on/IO-Link	-
620 600 129	LLR-C23PA-NMK-603	PNP	PVC, 2 m, 4-wire	Light-on/IO-Link	Dark-on
620 600 130	LLR-C23PA-NMK-60D	PNP	PVC, 2 m, 4-wire	Dark-on/IO-Link	Stability alarm
620 600 131	LLR-C23PA-NMK-302	NPN	PVC, 2 m, 3-wire	Dark-on	-
620 600 132	LLR-C23PA-NMK-101	NPN	PVC, 2 m, 4-wire	Light-on	Dark-on
620 600 133	LLR-C23PA-NMK-10B	NPN	PVC, 2 m, 4-wire	Dark-on	Stability alarm
620 600 134	LLR-C23PA-NMS-404	PNP	Connector M8 3-pin	Dark-on/IO-Link	-
620 600 135	LLR-C23PA-NMS-603	PNP	Connector M8 4-pin	Light-on/IO-Link	Dark-on
620 600 136	LLR-C23PA-NMS-60D	PNP	Connector M8 4-pin	Dark-on/IO-Link	Stability alarm
620 600 137	LLR-C23PA-NMS-302	NPN	Connector M8 3-pin	Dark-on	-
620 600 138	LLR-C23PA-NMS-101	NPN	Connector M8 4-pin	Light-on	Dark-on
620 600 139	LLR-C23PA-NMS-10B	NPN	Connector M8 4-pin	Dark-on	Stability alarm
620 600 140	LLR-C23PA-NMK-603-322	PNP	PVC, 2 m, 4-wire	Light-on/IO-Link	Dark-on
620 600 141	LLR-C23PA-NMK-101-322	NPN	PVC, 2 m, 4-wire	Light-on/IO-Link	Dark-on
620 600 142	LLR-C23PA-NMS-603-322	PNP	Connector M8 4-pin	Light-on/IO-Link	Dark-on
620 600 143	LLR-C23PA-NMS-101-322	NPN	Connector M8 4-pin	Light-on/IO-Link	Dark-on

Note: additional suffix can appear to indicate a revision version or a special version.

These proximity switches **must not be used** in applications where the **safety of people** is dependent on their functioning. Terms of delivery and rights to change design reserved.