

ADP16C4 -A A1-1A □□



□ : Lens color  
 □ : Lamps  
 A : 2 position

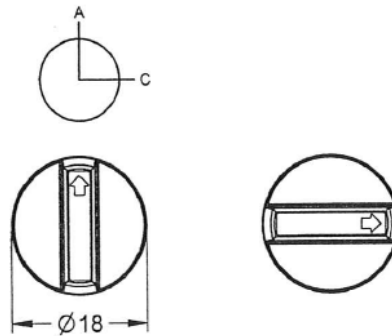
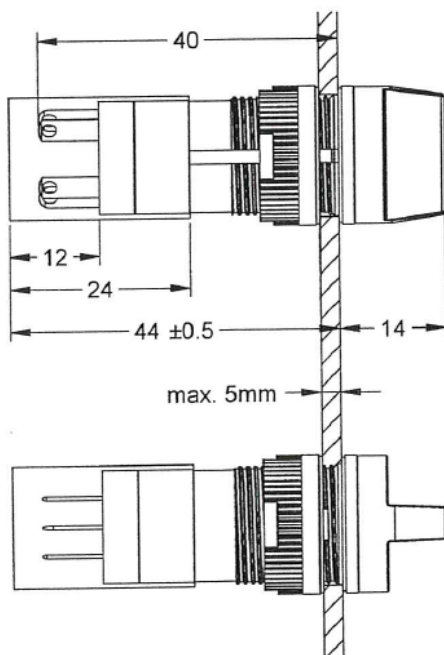
B : Blue  
 G : Green  
 K : Black  
 R : Red  
 W : White  
 Y : Yellow

1 : 1NO+1NC  
 1 : Small knob  
 A : Standard  
 A : Alternate

ADP16C4 : Type

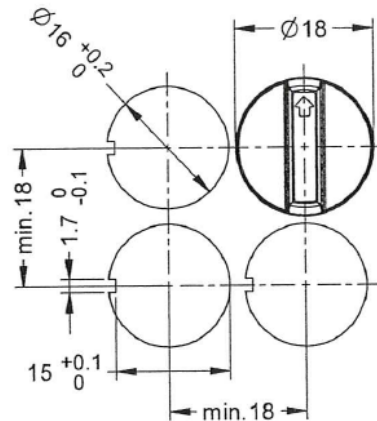
0 : Without lamps  
 A : Incandescent 6V AC/DC 200mA  
 B : Incandescent 14V AC/DC 80mA  
 C : Incandescent 28V AC/DC 40mA  
 F : Neon 110V/AC  
 G : Neon 220V/AC  
 H : LED 6V DC  
 J : LED 12V DC  
 K : LED 24V DC

Plug-in Type Selector Switch



All materials are lead free according to EU.

Hole Dia

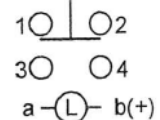
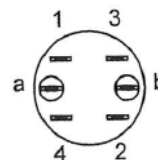


Product Specifications

- Mechanical lifetime : >0.25 million operations
- Electric rating : 250V AC 5A(VDE) 125V AC 6A  
250V DC 0.2A 24V DC 6A
- Max. insulation voltage : 2000V 60HZ 1min. between all terminals and ground
- Motion tolerance : <20 operation/min
- Panel thickness : 0.5mm ~ 5mm
- Degree of protection : IP 40
- Storage temperature : -40°C to +85°C
- Operating temperature : -25°C to +55°C with lamp  
-25°C to +70°C without lamp

Bottom View

Electrical Diagram



DECA<sup>®</sup> SwitchLab INC.

CONFIRMED & ACCEPTED BY:

DRAWING NO.	ADP16Cx-xA1-1xxx	VERSION	D	CONFIRMED BY	<i>[Signature]</i>
SHEET OF	1/1	METRIC	M M	DRAWN BY	<i>[Signature]</i>
		DATE	2006/06/20	GENERAL MANAGER	<i>[Signature]</i>