

type no.:

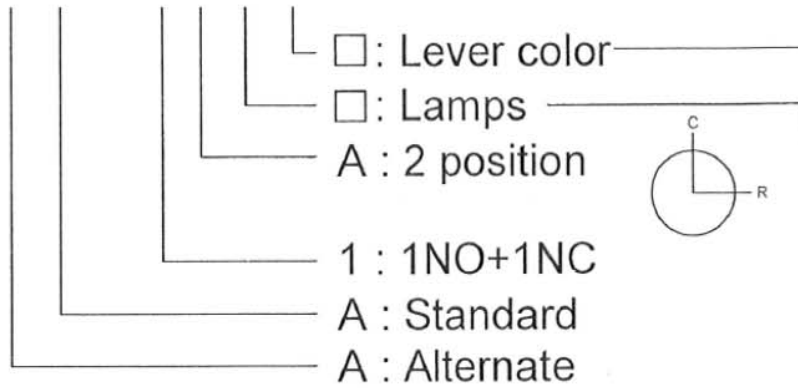
ADD16C6- A A1-1A □□

RoHS
Compliant

CE

C **UL**®
US

10 **VDE**

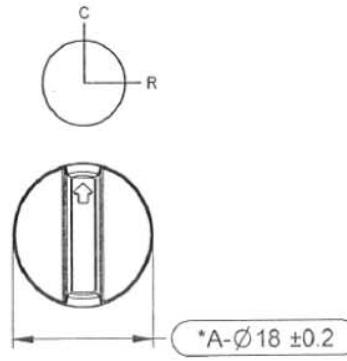
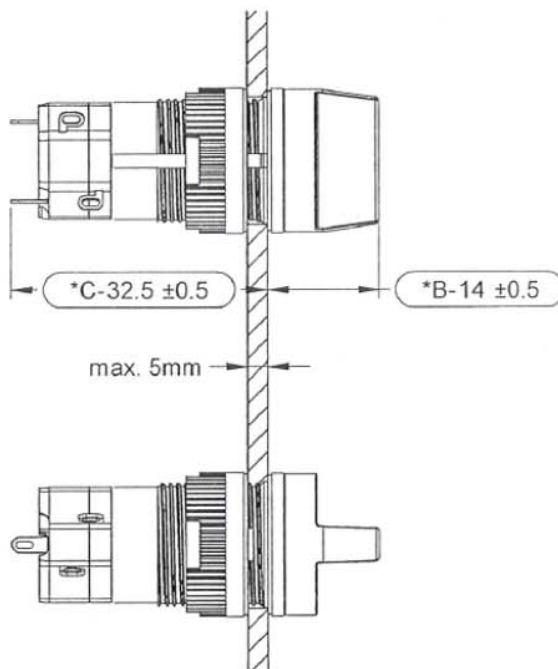


□ : Lever color
□ : Lamps
A : 2 position
1 : 1NO+1NC
A : Standard
A : Alternate

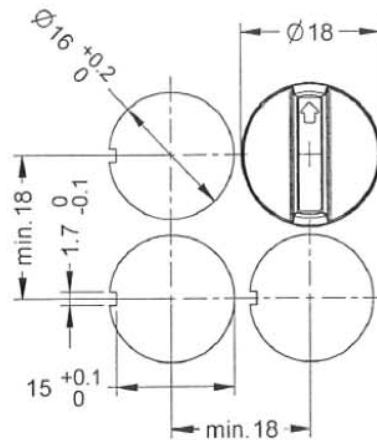
B : Blue
G : Green
R : Red
W : White (clear)
Y : Yellow
K : Black

0 : Without lamps
A : Incandescent 6V
AC/DC 200mA
B : Incandescent 14V
AC/DC 80mA
C : Incandescent 28V
AC/DC 40mA
F : Neon 110V/AC
G : Neon 220V/AC
H : LED 6V DC
J : LED 12V DC
K : LED 24V DC

Soldering Type Selector Switch



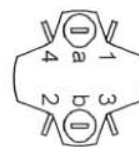
Hole Dia



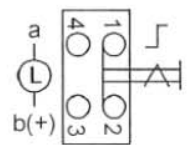
Product Specifications

- Mechanical lifetime : >0.25 million operations
- Electric rating : 250V AC 5A(VDE)
- Max. insulation voltage : >1300V 60Hz 1min. between all terminals
- Motion tolerance : <20 operation/min.
- Panel thickness : 0.5mm ~ 5mm
- Degree of protection : IP 65
- Storage temperature : -40°C to +85°C
- Operating temperature : -25°C to +55°C
(-25°C to +70°C without lamp)
- Contact resistance : 20mΩ (initial)

Bottom View



Electrical Diagram



Distributed by Conrad Electronic

DECA®
SwitchLab **Switchlab INC.**

CONFIRMED &
ACCEPTED BY:

DRAWING NO.	ADD16C6-AA1-1Axx	VERSION	B	CONFIRMED BY	<i>W. J. ...</i>
SHEET OF	1/1	METRIC	MM	DRAWN BY	<i>V. J. ...</i>
		DATE	2011/05/17	GENERAL MANAGER	<i>J. ...</i>