
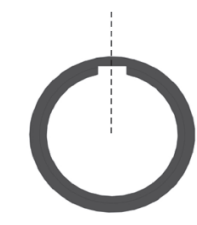
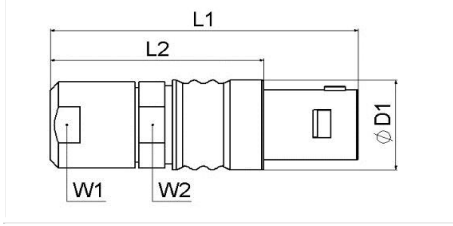
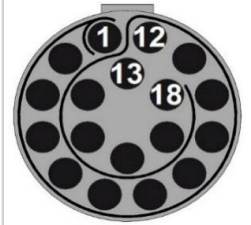


PRODUCT DATASHEET
CIRCULAR PUSH-PULL CONNECTOR Y-CIRC P

Connector Part Number		YCP-BPB15ACX-18MSEEX-091X	
Connector Type		Straight cable plug with standard back nut	
Connector Details			
Connector Type	Straight cable plug with standard back nut		
Connector Type Digit	PB		
Series	B		
Housing	Brass - Chrom Plated		
RoHs	Compliant acc. 2011/65/EU		
Size	15		
			
This picture is a schematic representation of the connector and can change depending			
Connector Coding		Panel Cut Out	
Coding Digit	A	Type: None	
Coding	1 key at 0°		
			
Parameters			
IP Grade	IP50	(According IEC 60529)	
Mating Cycles	5000	(According DIN EN 60512-9-1)	
Temp (max)	+120°C	(According MIL-STD 810F, Method 501.4; 74 hours)	
Temp (min)	-40°C	(According MIL-STD 810F, Method 502.4; 16 hours)	
Vibration:	15 g [10 Hz - 2000 Hz]	(According DIN EN 60512-6-4)	
Shock Resistance:	100 g [6 ms]	(According DIN EN 60512-6-3)	
Salt Spray Corrosion:	>144 h	(According DIN EN 60512-11-6)	
Shielding (10 MHz):	>75dB		
Shielding (1 GHz):	>55dB		
Dimensions [in mm]			
D1= 15,0	L1= 43,0	W1: 13,0	
	L2= 32,0	W2: 13,0	
*) max. value			
Contact		Pin Layout	
Pin Count	18	(Terminal side)	
Contact Diameter	0,7		
Contact Cross Section	0.34mm ²		
Current Rating [A]	5,5		
Contact Type	Male Contact Solder Type		
Test Voltage [kV]Contact-Contact	0,85		
Test Voltage [kV]Contact-Shell	1,20		
Contact Resistance	< 5mΩ		
Cable Exit			
Collet Type	091		
Cable Diameter range	>8,0 to 9,1		