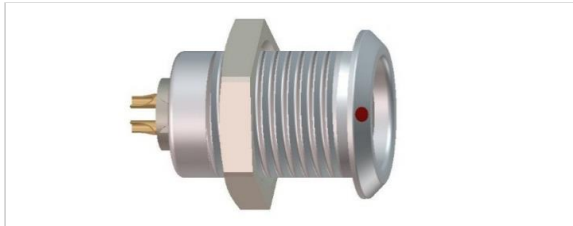
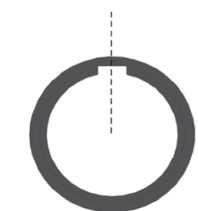
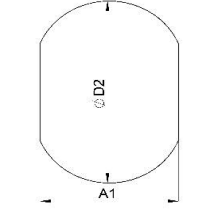
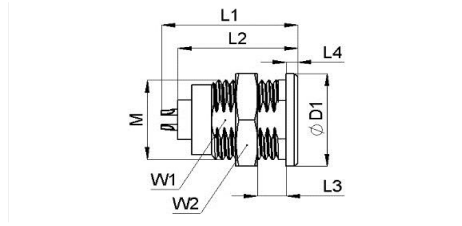
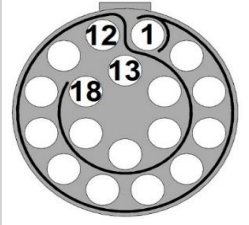


<b>Connector Part Number</b>		<b>YCP-BWA15ACX-18FSEEX-000X</b>	
<b>Connector Type</b>		<b>Wall mounted socket (Frontmounting)</b>	
<b>Connector Details</b>			
Connector Type	Wall mounted socket (Frontmounting)		
Connector Type Digit	WA		
Series	B		
Housing	Brass - Chrom Plated		
RoHs	Compliant acc. 2011/65/EU		
Size	15		
			
This picture is a schematic representation of the connector and can change depending			
<b>Connector Coding</b>		<b>Panel Cut Out</b>	
Coding Digit	A	Type: PC1	
Coding	1 key at 0°	<b>Dimensions [in mm]</b> <b>A1= 13,6</b> <b>D2= 15,1</b>	
			
<b>Parameters</b>			
IP Grade	IP50	(According IEC 60529)	
Mating Cycles	5000	(According DIN EN 60512-9-1)	
Temp (max)	+120°C	(According MIL-STD 810F, Method 501.4; 74 hours)	
Temp (min)	-40°C	(According MIL-STD 810F, Method 502.4; 16 hours)	
Vibration:	15 g [10 Hz - 2000 Hz]	(According DIN EN 60512-6-4)	
Shock Resistance:	100 g [ 6 ms]	(According DIN EN 60512-6-3)	
Salt Spray Corrosion:	>144 h	(According DIN EN 60512-11-6)	
Shielding (10 MHz):	>75dB		
Shielding (1 GHz):	>55dB		
<b>Dimensions [in mm]</b>			
<b>D1= 18,0</b>	<b>L1= 22,5</b>	<b>W1: 13,5</b>	
	<b>L2= 18,2</b>	<b>W2: 17,0</b>	
	<b>L3*= 8,9</b>		
	<b>L4= 2,0</b>	<b>M= 15x1.0</b>	
	*) max. value		
<b>Contact</b>		<b>Pin Layout</b>	
Pin Count	18	(Terminal side)	
Contact Diameter	0,7		
Contact Cross Section	0.34mm <sup>2</sup>		
Current Rating [A]	5,5		
Contact Type	Female Contact Solder Type		
Test Voltage [kV]Contact-Contact	0,85		
Test Voltage [kV]Contact-Shell	1,20		
Contact Resistance	< 5mΩ		
<b>Cable Exit</b>			
Collet Type	000		
Cable Diameter range	No Collet System		