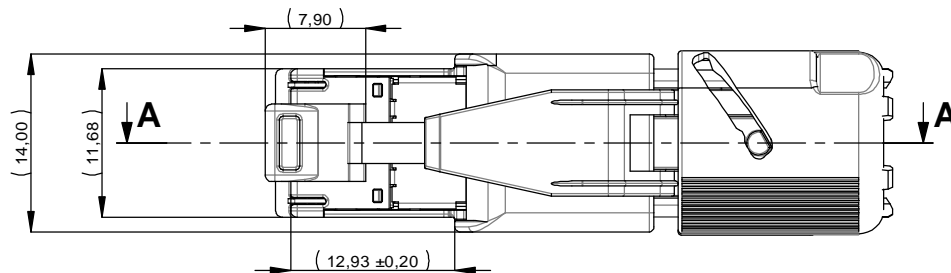
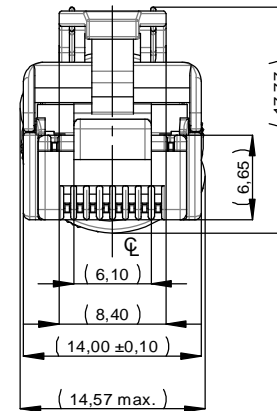
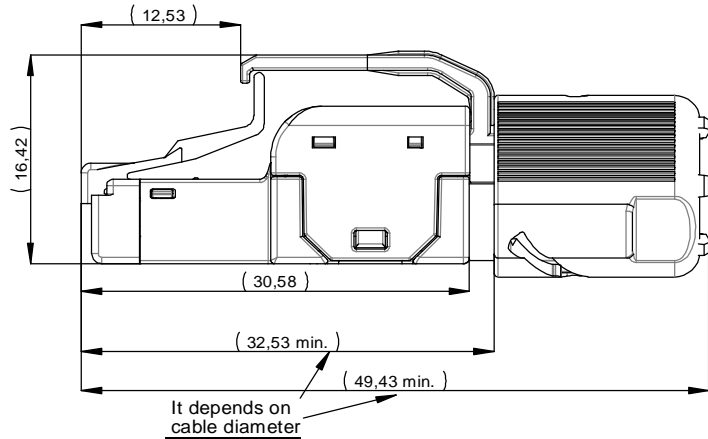
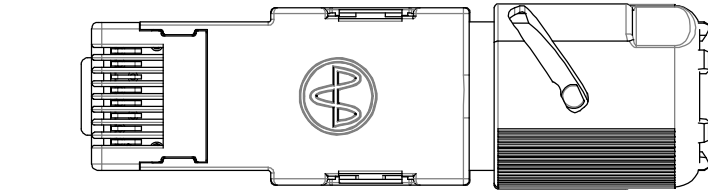
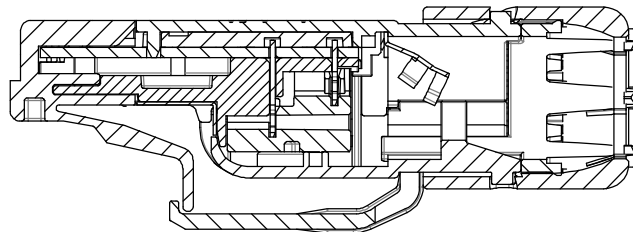


THE INFORMATION CONTAINED IN THIS DRAWING IS THE SOLE PROPERTY OF YAMAICHI ELECTRONICS DEUTSCHLAND GmbH. ANY REPRODUCTION IN PART OR WHOLE WITHOUT THE WRITTEN PERMISSION OF YAMAICHI ELECTRONICS DEUTSCHLAND GmbH IS PROHIBITED.

**CONFIDENTIAL**



**A-A**



**RoHS compliant acc. to directive 2011/65/EU**

Note: Dimensions between bracket are only for reference, No measurements are required for them.

- Critical Dimensions to be inspected 100%.
- Critical Dimensions.
- Critical Dimensions. To determine Cmk and Cpk.

Specification/Drawing subject to alteration without prior notice

Unless otherwise specified : Dimensions are in millimeters		REV.:	REVISION DESCRIPTION	INITIALS	REV. DATE
TOLERANCES <b>ISO 2768-1 m (mittel)</b>		T	Title corrected	MOB	31.03.2015
		S	Information added	MOB	25.02.2015
		R	Label update	MOB	23.12.2014
		Q	Update models	MOB	22.12.2014
		P	update	MOB	31.07.2014
Order / Article No.	DO NOT SCALE DRAWING		CLASSIFICATION: Y-Con Profix Plug,180°,8(8) +2		
NOTES:	ANGLE PROJECTION:	DESIGN	NAME	DATE	TITLE:
		MOB	MOB	23.05.2012	Y-ConProfixPlug-xx
		DRAWN	MOB	31.03.2015	
		CHECKED	RA	31.03.2015	
WEIGHT:					DWG NO.:
					<b>P1643A41</b>
					REVISION: <b>T</b>
					SCALE: 2.5:1
					SHEET1 OF 5
					A3 - ASSEMBLY



THE INFORMATION CONTAINED IN THIS DRAWING IS THE SOLE PROPERTY OF YAMAICHI ELECTRONICS DEUTSCHLAND GmbH. ANY REPRODUCTION IN PART OR WHOLE WITHOUT THE WRITTEN PERMISSION OF YAMAICHI ELECTRONICS DEUTSCHLAND GmbH IS PROHIBITED.

**CONFIDENTIAL**

**SPECIFICATION**

MATERIAL/FINISH		
<b>INSULATOR</b>	Material	PC, Sabic Lexan 940A
<b>DIE CAST</b>	Material	Zinc Alloy (ZP3)
	Plating	8-12µm Cu; 4-8µm Ni
<b>SHIELD</b>	Material	Phosphor Bronze C5210
	Plating	min 1,27µm (50µ") Ni
	Thickness	0.30mm
<b>Signal and Power CONTACTS</b>	Material	Phosphor Bronze C5210
	Plating	Min 30µ" Au over min 50µ" Ni contact area Min.80µ"Sn over min. 50µ"Ni solder area
	Thickness	0.35mm
<b>IDC CONTACTS</b>	Material	CuNiCr C7025 -M04
	Plating	2,0µm (80µ") Sn over min 1,27µm (50µ") Ni
	Thickness	0.40mm
SPECIFICATION		
<b>MATING CYCLES For IDCs *</b>		>10 cycles
<b>MATING CYCLES For Plug*</b>		2500 cycles
<b>INSULATION RESISTANCE*</b>		>500 Mohm min
<b>CONTACT RESISTANCE*</b>		10 mohm max
<b>DIELECTRIC WITHSTANDING VOLTAGE*</b>		1000V AC rms / minute
<b>OPERATION TEMPERATURE*</b>		-40°C to +120°C
<b>OPERATING VOLTAGE*</b>		250V AC rms
<b>CURRENT RATING*</b>		3.1A @ 70° for power 1,5 Amps max. @ 25°C for signal
<b>REFLOW SOLDERABILITY*</b>		According to RoHS temperature: 220°C/60sec, 260°C peak
<b>TOTAL INSERTION FORCE*</b>		<5N without power; tbd with power
<b>TOTAL WITHDRAWAL FORCE*</b>		<5N without power; tbd with power
<b>IP Rate</b>		IP20
<b>Cable Diameter Range</b>		6.8 – 9.5 mm
<b>Wire Range</b>		Solid wires : AWG 22 -26 Stranded wires: AWG 24 - 26



Specification/Drawing subject to alteration without prior notice

\* Properties still to be verified during qualification process.

**RoHS compliant acc. to directive 2011/65/EU**

REV.	REVISION DESCRIPTION	INITIALS	REV. DATE
T	Title corrected	MOB	31.03.2015
S	Information added	MOB	25.02.2015
R	Label update	MOB	23.12.2014
Q	Update models	MOB	22.12.2014
P	update	MOB	31.07.2014

Unless otherwise specified :  
Dimensions are in millimeters

**ISO 2768-1 m (mittel)**

Order / Article No. **DO NOT SCALE DRAWING**

CLASSIFICATION: Y-Con Profix Plug,180°,8(8) +2

NOTES:

ANGLE PROJECTION: DESIGN MOB 23.05.2012  
DRAWN MOB 31.03.2015  
CHECKED RA 31.03.2015

TITLE: **Y-ConProfixPlug-xx**

DWG NO.: **P1643A41**

REVISION: **T**

WEIGHT:

SCALE: 2:1

SHEET2 OF 5

A3 - ASSEMBLY

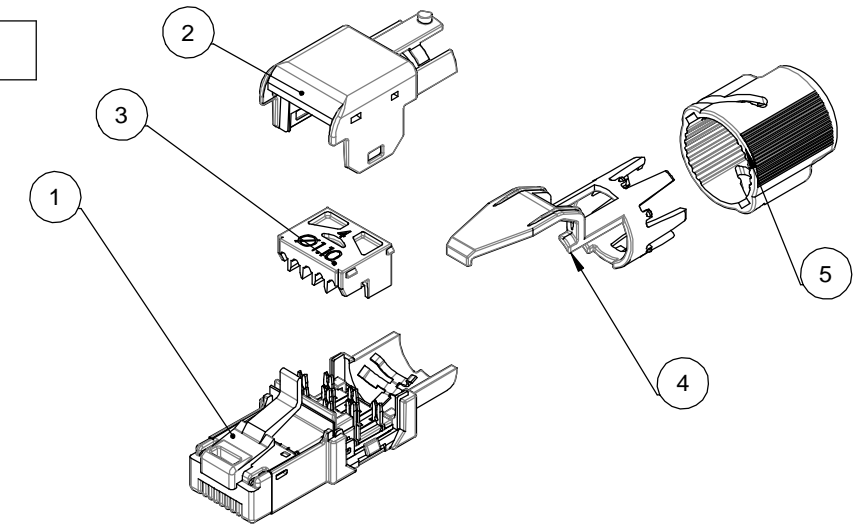
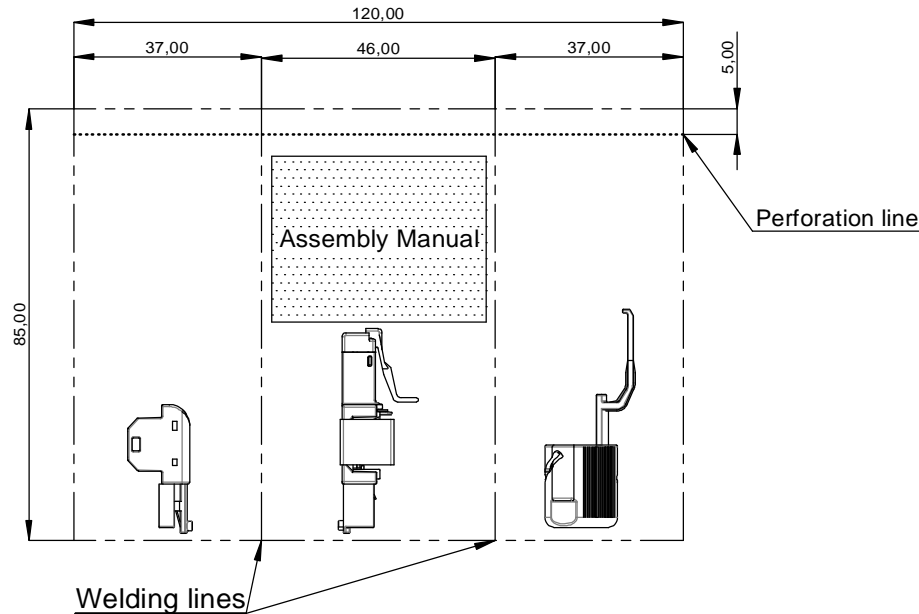


THE INFORMATION CONTAINED IN THIS DRAWING IS THE SOLE PROPERTY OF YAMAICHI ELECTRONICS DEUTSCHLAND GmbH. ANY REPRODUCTION IN PART OR WHOLE WITHOUT THE WRITTEN PERMISSION OF YAMAICHI ELECTRONICS DEUTSCHLAND GmbH IS PROHIBITED.

**CONFIDENTIAL**

**Packing**

**Plastic bag with 3 sections**



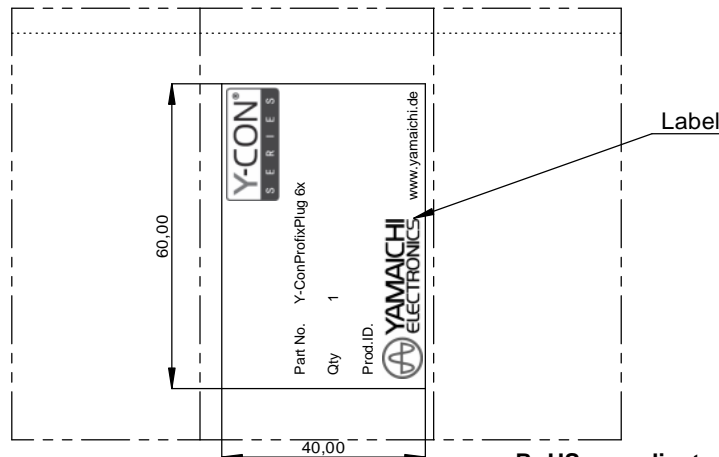
ITEM NO.	PART NUMBER	DESCRIPTION	Material	Article Number	QTY.
1	P1643A54	CAT6 PR-P-BASE-ASSEMBLY			1
2	P1643P189	CAT6PR-P-DIE-CAST-COVER	Zinc alloy (ZP3)		1
3 *	P1643P272	CAT6PR-P/S-WIRE-MANAGER-11	PA9T, Kuraray, GN2330, bk		1
4	P1643P226	CAT6PR-P-ST-REL-COVER	PC, Sabic Lexan 121R, wt		1
5	P1643P227	CAT6PR-S/P-ST-REL-CAP	Zinc alloy (ZP3)		1

\* Wire manager-11: wire insulation diameter < 1.10 mm

Optional wire manager-17 (82-00733) is available for wire insulation diameter > 1.10 mm to 1.70mm.

- \*** Critical Dimensions to be inspected 100%.
- (S)** Critical Dimensions.
- (ST)** Critical Dimensions. To determine Cmk and Cpk.

Specification/Drawing subject to alteration without prior notice



**RoHS compliant acc. to directive 2011/65/EU**

REV.	REVISION DESCRIPTION	INITIALS	REV. DATE
T	Title corrected	MOB	31.03.2015
S	Information added	MOB	25.02.2015
R	Label update	MOB	23.12.2014
Q	Update models	MOB	22.12.2014
P	update	MOB	31.07.2014

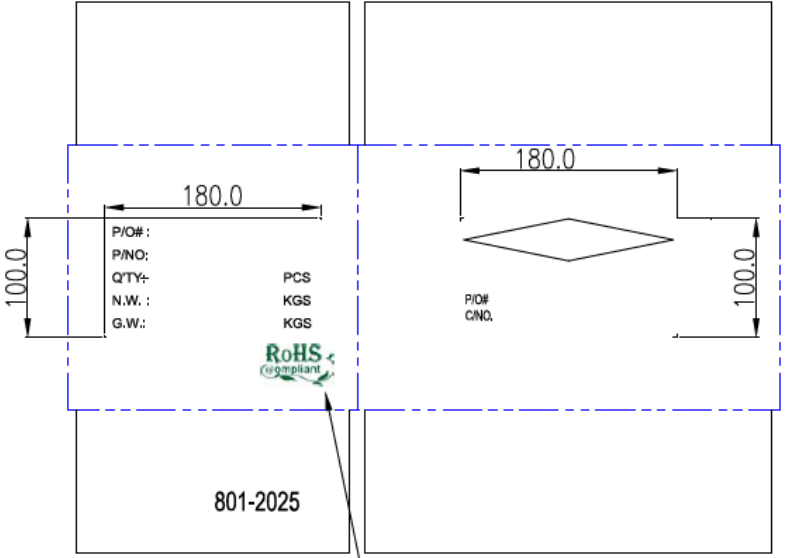
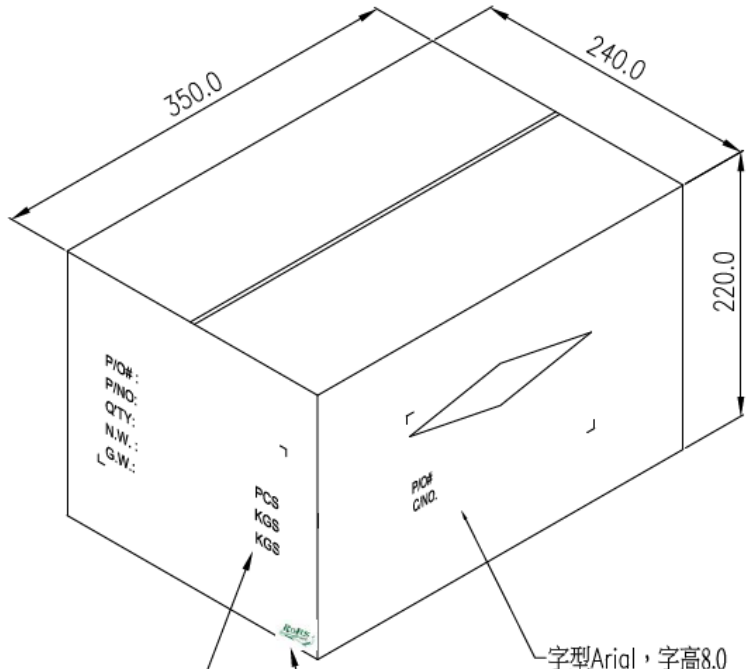
Order / Article No.	DO NOT SCALE DRAWING	CLASSIFICATION: Y-Con Profix Plug,180°,8(8) +2								
NOTES:	<table border="1"> <thead> <tr> <th>NAME</th> <th>DATE</th> </tr> </thead> <tbody> <tr> <td>DESIGN</td> <td>MOB 23.05.2012</td> </tr> <tr> <td>DRAWN</td> <td>MOB 31.03.2015</td> </tr> <tr> <td>CHECKED</td> <td>RA 31.03.2015</td> </tr> </tbody> </table>	NAME	DATE	DESIGN	MOB 23.05.2012	DRAWN	MOB 31.03.2015	CHECKED	RA 31.03.2015	TITLE: Y-ConProfixPlug-xx
NAME	DATE									
DESIGN	MOB 23.05.2012									
DRAWN	MOB 31.03.2015									
CHECKED	RA 31.03.2015									
WEIGHT:		DWG NO.: P1643A41								
		REVISION: T								
	SCALE: 2:1	SHEET3 OF 5								
		A3 - ASSEMBLY								



THE INFORMATION CONTAINED IN THIS DRAWING IS THE SOLE PROPERTY OF YAMAICHI ELECTRONICS DEUTSCHLAND GmbH. ANY REPRODUCTION IN PART OR WHOLE WITHOUT THE WRITTEN PERMISSION OF YAMAICHI ELECTRONICS DEUTSCHLAND GmbH IS PROHIBITED.

**CONFIDENTIAL**

**Packing**



字型Arial, 字高8.0  
Font: Arial, H: 8.0

綠色印刷(兩側)  
Green Printing

字型Arial, 字高8.0  
Font: Arial, H: 8.0

**RoHS compliant**  
綠色印刷  
Green Printing

藍色印刷, 4側面(對稱印刷)  
Blue Printing

**RoHS compliant acc. to directive 2011/65/EU**

Specification/Drawing subject to alteration without prior notice

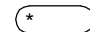
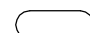
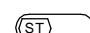
Unless otherwise specified : Dimensions are in millimeters TOLERANCES ISO 2768-1 m (mittel)	REV.	REVISION DESCRIPTION	INITIALS	REV. DATE		
	↑	Title corrected	MOB	31.03.2015		
	↓	Information added	MOB	25.02.2015		
	↔	Label update	MOB	23.12.2014		
Order / Article No.	↕	Update models	MOB	22.12.2014	CLASSIFICATION: Y-Con Profrix Plug,180°,8(8) +2	
	↕	update	MOB	31.07.2014		
	DO NOT SCALE DRAWING					
	NOTES:	NAME	DATE	TITLE: Y-ConProfrixPlug-xx		
ANGLE PROJECTION: FIRST	DESIGN	MOB	23.05.2012	DWG NO.: P1643A41	REVISION: T	
	DRAWN	MOB	31.03.2015			
	CHECKED	RA	31.03.2015			
WEIGHT:				SCALE: 2:1	SHEET4 OF 5	A3 - ASSEMBLY

THE INFORMATION CONTAINED IN THIS DRAWING IS THE SOLE PROPERTY OF YAMAICHI ELECTRONICS DEUTSCHLAND GmbH. ANY REPRODUCTION IN PART OR WHOLE WITHOUT THE WRITTEN PERMISSION OF YAMAICHI ELECTRONICS DEUTSCHLAND GmbH IS PROHIBITED.

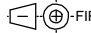
**CONFIDENTIAL**

Types of Y-ConProfixPlug

Nomination	Y-ConProfixPlug 51	Y-ConProfixPlug 61	Y-ConProfixPlug 61- 9.5	Y-ConProfixPlug 53	Y-ConProfixPlug 63	Y-ConProfixPlug 63-9.5
Order number	82-00727	82-00659	82-00723	82-00728	82-00660	82-00724
Power pins	X	X	X	---	---	---
Max Cable Diameter	9.25	9.25	9.50	9.25	9.25	9.50
Category	CAT5	CAT6A	CAT6A	CAT5	CAT6A	CAT6A

-  Critical Dimensions to be inspected 100%.
-  Critical Dimensions.
-  Critical Dimensions. To determine Cmk and Cpk.

Specification/Drawing subject to alteration without prior notice

Unless otherwise specified : Dimensions are in millimeters		REV.	REVISION DESCRIPTION	INITIALS	REV. DATE
TOLERANCES ISO 2768-1 m (mittel)		T	Title corrected	MOB	31.03.2015
		S	Information added	MOB	25.02.2015
		R	Label update	MOB	23.12.2014
		Q	Update models	MOB	22.12.2014
		P	update	MOB	31.07.2014
Order / Article No.	DO NOT SCALE DRAWING		CLASSIFICATION: Y-Con Profix Plug,180°,8(8) +2		
NOTES:	ANGLE PROJECTION:	DESIGN	NAME	DATE	TITLE: Y-ConProfixPlug-xx
	 FIRST	MOB	MOB	23.05.2012	DWG NO.: P1643A41
		DRAWN	RA	31.03.2015	
		CHECKED			REVISION: T
WEIGHT:					SCALE: 2:1



RoHS compliant acc. to directive 2011/65/EU