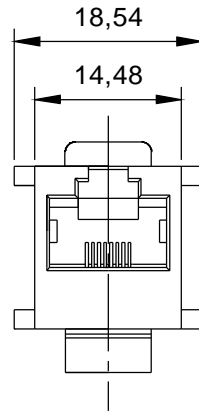
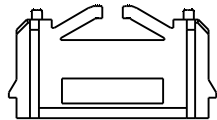
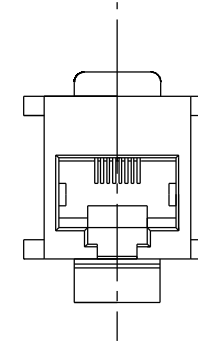
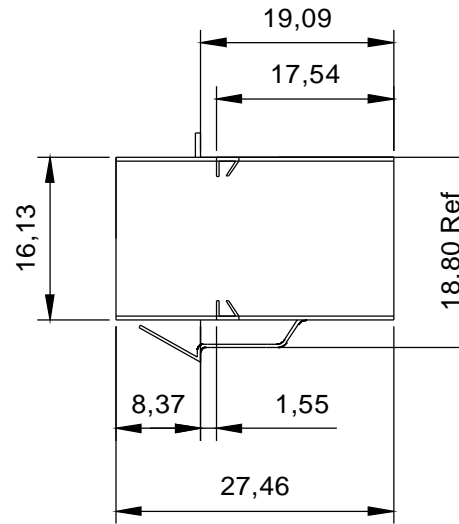


THE INFORMATION CONTAINED IN THIS DRAWING IS THE SOLE PROPERTY OF YAMAICHI ELECTRONICS DEUTSCHLAND GmbH. ANY REPRODUCTION IN PART OR WHOLE WITHOUT THE WRITTEN PERMISSION OF YAMAICHI ELECTRONICS DEUTSCHLAND GmbH IS PROHIBITED.

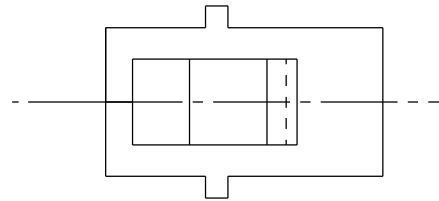
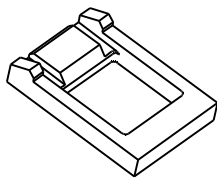
CONFIDENTIAL



Including adapter for use with Y-ConFlange-10



Including Stopper



△ Electrical specifications:

Contact Resistance: 60mΩ Max
 Insulation Resistance: 500MΩ Min
 Withstanding Voltage: 0.5mA Max
 Current Rating: 1.5A

ITEM NO.	QUANTITY	DESCRIPTION	MATERIAL
1	1	Y-Con Jack 16	
2	1	Adapter for flange	PBT blue
3	1	Y-Con Jack 16 Stopper	PBT black

Unless otherwise specified : Dimensions are in millimeters		REV	REVISION DESCRIPTION	INITIALS	REV. DATE
TOLERANCES		△	Electrical specification added	MOH	03.07.2015
		△	dim changed	HE	11.03.2005
		△	Item 3 Added	AM	20.01.2005
		△	Label design	HE	22.04.2004
Order / Article No. 82-00095		DO NOT SCALE DRAWING			CLASSIFICATION: Y-ConJack-16 Coupler Jack with adapter RJ45, Cat.5, 1:1 wiring
NOTES:	ANGLE PROJECTION:	DESIGN	HE	22.04.2004	TITLE: Y-ConJack-16
	FIRST	DRAWN	MOH	03.07.2015	DWG NO.: Customer-P(090)A79
		CHECKED	RA	06.07.2015	
	WEIGHT:				SCALE: 2:1



RoHS compliant acc. to directive 2011/65/EU