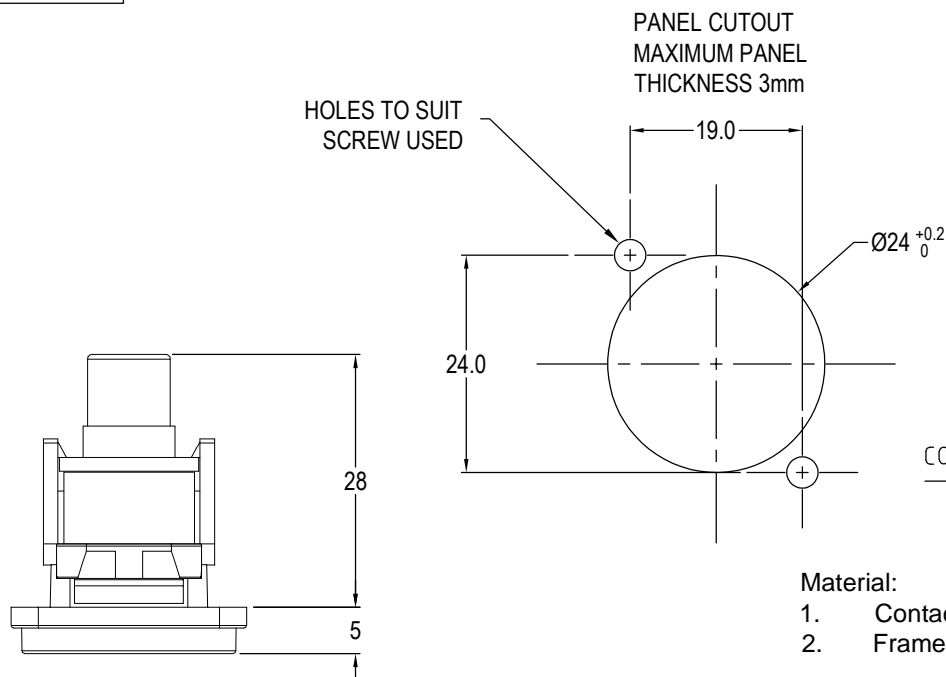
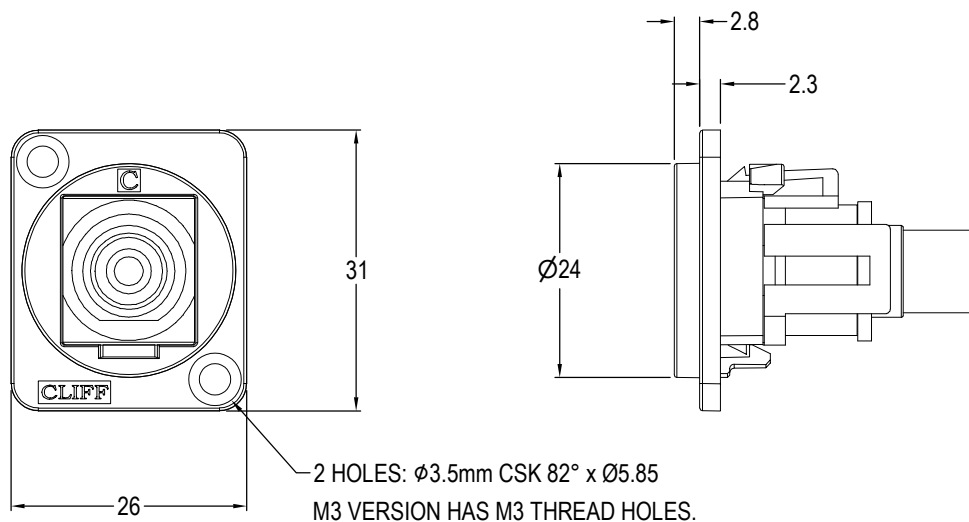


| ISS. | AMEND | DATE |
|------|-----------------|----------|
| 1 | ISSUED | 07/01/16 |
| 2 | ADD M3 VARIANTS | 16/07/18 |



| VARIANTS | | |
|-----------|---|--------|
| PART NO. | HOLE DETAILS | COLOUR |
| CP30230M | HOLE $\text{Ø}3.50$ x CSK 82° x $\text{Ø}5.85$ | RED |
| CP30230M3 | M3 HOLES | |
| CP30231M | HOLE $\text{Ø}3.50$ x CSK 82° x $\text{Ø}5.85$ | WHITE |
| CP30231M3 | M3 HOLES | |
| CP30232M | HOLE $\text{Ø}3.50$ x CSK 82° x $\text{Ø}5.85$ | YELLOW |
| CP30232M3 | M3 HOLES | |



RoHS
COMPLIANT

TOLERANCE
NO DEC. PLACE \pm
1 DEC. PLACE \pm
2 DEC. PLACE \pm
HOLE Ø \pm
ANGLES \pm
UNLESS
OTHERWISE STATED

DO NOT SCALE

Cliff Electronic Components Ltd.

76 Holmethorpe Avenue, Holmethorpe Industrial Estate,
Redhill, Surrey, RH1 2PF, England, UK
Tel: 01737-771375 Fax: 01737-766012 Website: www.cliffuk.co.uk

THE CONTENTS OF THIS DOCUMENT MUST NOT BE COPIED OR DISCLOSED TO A 3rd PARTY WITHOUT WRITTEN PERMISSION OF CLIFF UK. © 2015

DIMENSIONS IN MILLIMETERS UNLESS OTHERWISE STATED. WORK TO DIMENSIONS. REMOVE ALL BURRS. IF IN DOUBT ASK.

3rd ANGLE PROJECTION:

MATERIAL: See Notes

FINISH: See Notes

DRAWN: D.P.J.

APPROVED: D.P.J.

TITLE: FT METAL RCA PHONO

DRWG. No. **CP30230M**

FORM: A4DRWGf