

SPECIFICATIONS

Insulation Resistance:	1,000MΩ min. at 500V DC
Dielectric Withstanding Voltage:	700V AC for 1 minute
Contact Resistance:	30mΩ max. at 10mA/20mV max.
Current Rating:	1A max.
Operating Temperature Range:	-55°C to +170°C
Mating Cycles:	10,000 insertions min.

MATERIALS AND FINISH

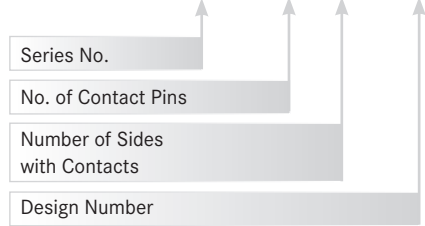
Housing:	Polyethersulphone (PES), glass-filled
Contacts:	Beryllium Copper (BeCu)
Plating:	Gold over Nickel

FEATURES

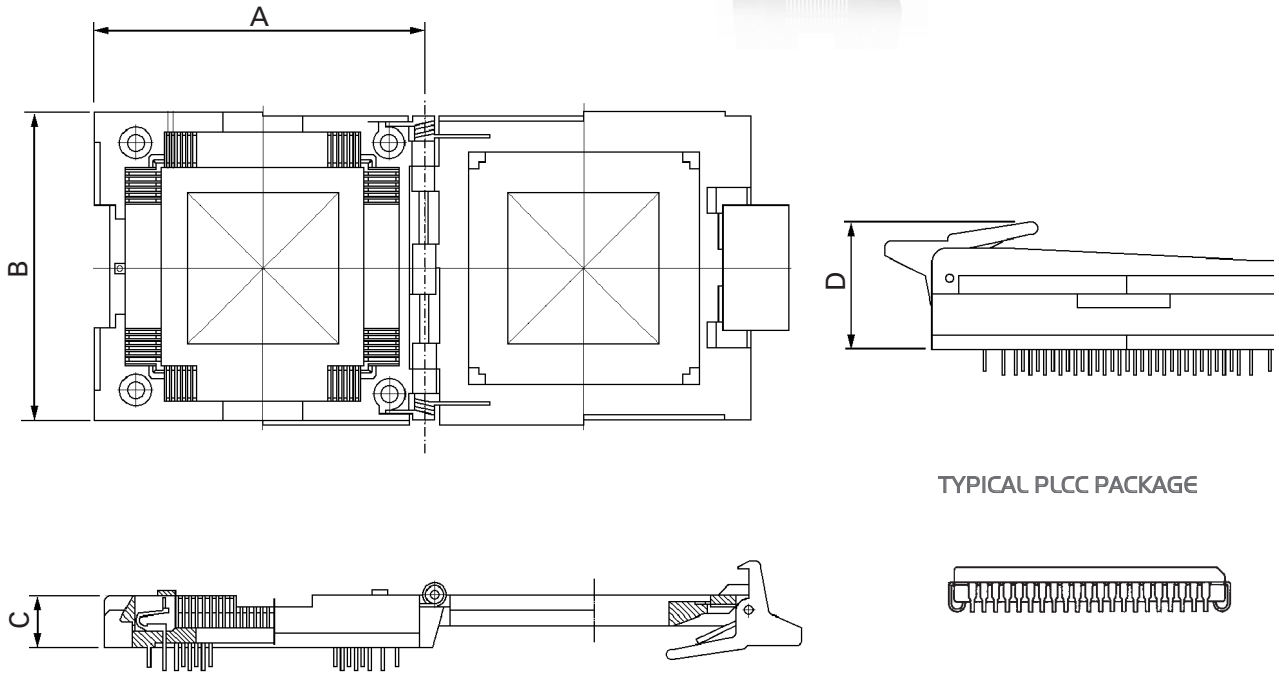
- Clamshell socket for PLCC packages
- IC orientation, Live bug

PART NUMBER

IC51 - 124 4 - 410-1



OUTLINE SOCKET DIMENSIONS



TYPICAL PLCC PACKAGE

1.27MM PITCH

Part Number	Pin Count	A	B	C (open)	D (closed)
IC51-0204-602	20	31.5	26.0	10.0	20.0
IC51-0284-399	28	36.0	30.0	10.0	20.5
IC51-0324-453	32	35.0	30.0	9.0	19.5
IC51-0444-400	44	40.0	34.0	10.0	20.0
IC51-0524-411-1	52	43.0	38.0	10.0	23.5
IC51-0684-390-1	68	49.0	42.0	10.0	23.5
IC51-0844-401-1	84	55.0	48.0	10.0	23.5
IC51-1004-405-1	100	60.6	54.0	10.0	23.5
IC51-1244-410-1	124	65.0	60.0	10.0	23.5