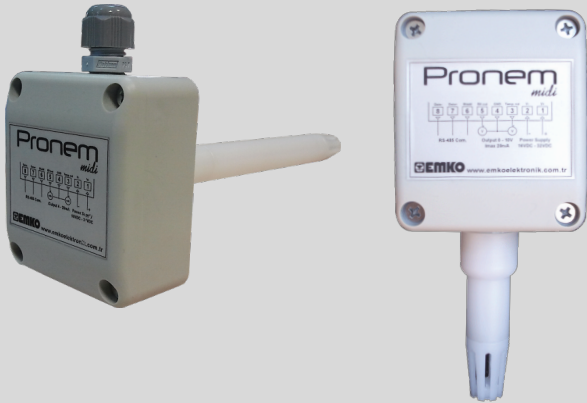


Pronem *midi*

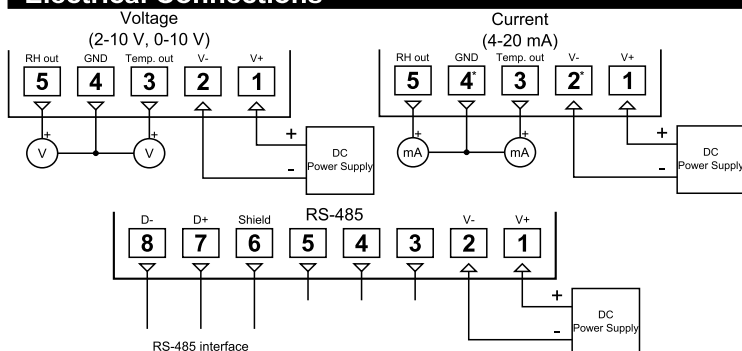


- Adjusted temperature and relative humidity sensor
- On ordering, user selectable analog temperature and/or relative humidity outputs
- On ordering, user selectable temperature and relative humidity values can be read via serial communication
- High analog output accuracy
- High stability on analogue outputs related humidity and temperature measurement
- Independent analogue output selections for humidity and temperature

Applications

- HVAC/ Building Controls
- Poultry House Automation
- Greenhouse Applications
- Food Factories and Warehouses
- Cold Storage
- Pharmaceutical
- Air Conditioning Automation and Air Conditioners
- Textile Applications
- Clean Rooms and Laboratory

Electrical Connections



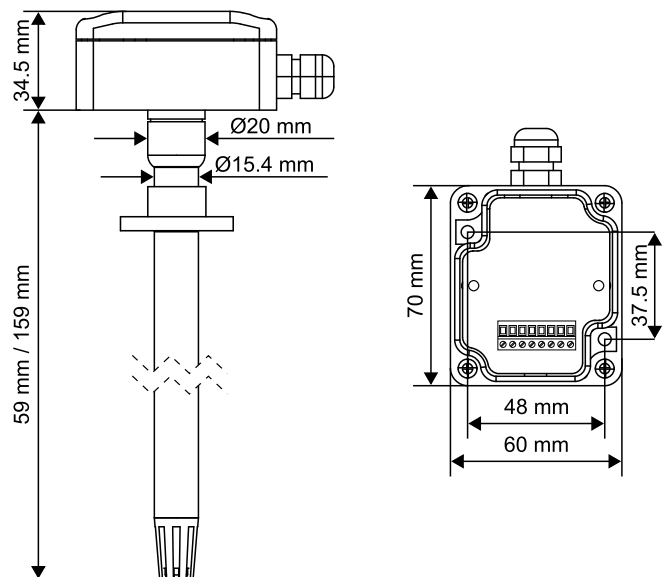
*For only type of current device, you can use the outputs in current loop. Just connect the power supply's positive pin to terminal 1 and return the outputs power supply's negative pin. For only type of current device, temperature output must always be connected to the power supply's negative pin!

Technical Specifications

Performance	
Measurement Range (RH)	0...100 %RH
Measurement Range (T)	-20...+80°C
Accuracy (RH)	+/- 2 %RH (Typ) at 23°C
Accuracy (T)	+/- 0.1°C (Typ) at 23°C
Stability (RH)	<1 %RH/year (Typ)
Stability (T)	<0.04°C/year (Typ)
Hysteresis (RH)	+/- 1 %RH
Hysteresis (T)	+/- 0.1°C
Electrical Specifications	
Supply Voltage	16...32VDC, Max. 1.5W
Output Signal	0-10 V, 2-10 V, 4-20 mA
Stability of Analogue Outputs	Voltage output +/- 0.1% Current output +/- 0.5%
Operating Conditions	
Operating Temperature	-40...+85°C
Operating Elevation	Up to 2000 meter
Mechanical Specifications	
Protection Degree	IP65 (Except sensor)
Weight	With 59 mm probe: 103 gr With 159 mm probe: 130 gr

Dimensions

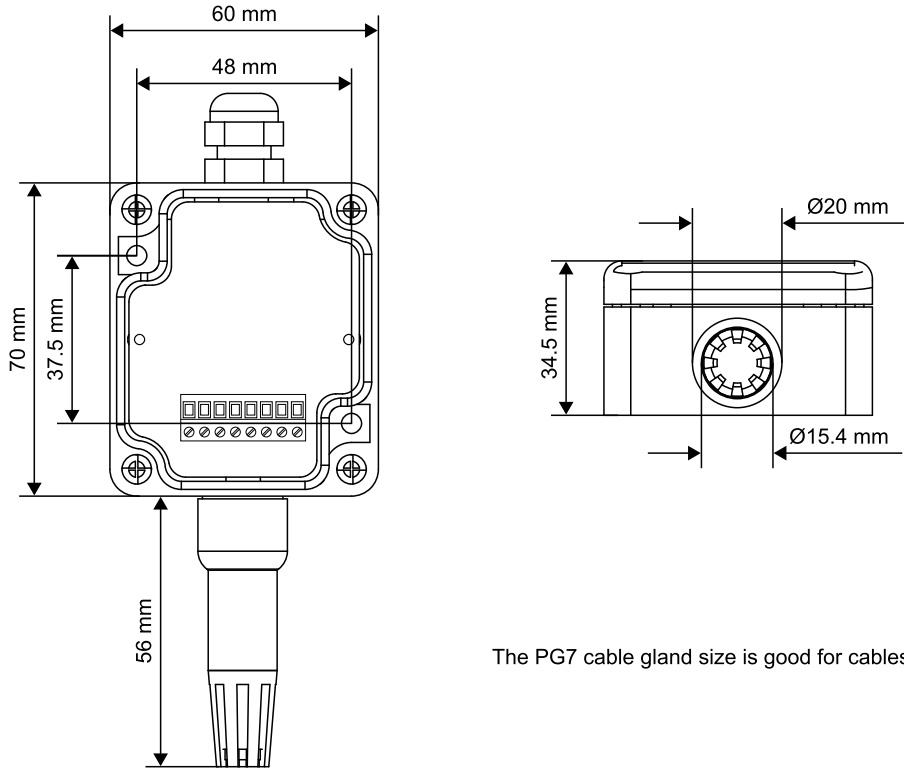
Duct mount type



The PG7 cable gland size is good for cables 3 mm to 6.5 mm diameter!

Dimensions

Wall mount type



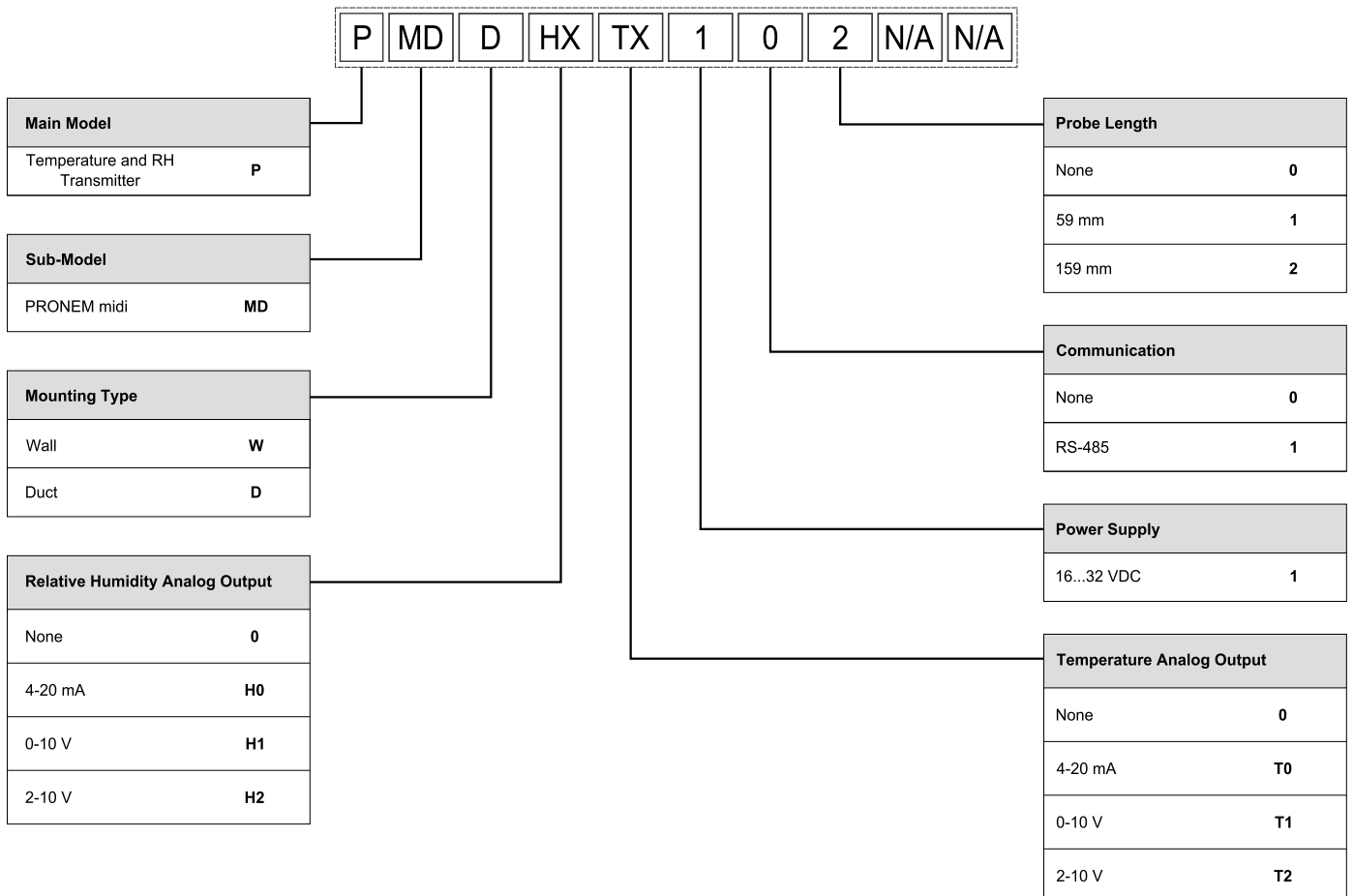
The PG7 cable gland size is good for cables 3 mm to 6.5 mm diameter!

Ordering Codes

You can create your order code with using the table below.

Sample order code: PMD-D-H0-T0-1-0-2-N/A-N/A

Temperature and Relative Humidity Transmitter PRONEM midi, Duct Type, 4-20 mA Relative Humidity Analog Output, 4-20 mA Temperature Analog Output, 16...32 VDC Power Supply, 159 mm Probe Length.



You can find more documents about the device in our web site
www.emkoelektronik.com.tr