



EPM-3790  
EPM-7790



- Operation at Adjustable Set Value
- Ramp Function
- Economical
- Easy to Use
- 4 Digits Display
- Easily adjustable set value from front panel
- Configurable display scale between -1999 and 9999
- Adjustable decimal point
- Set value low limit and set value high limit boundaries
- Adjustable ramp up and ramp down time
- Forward, Reverse direction outputs and error input for V/F Speed Controller
- 0/2...10Vdc Voltage output or 0/4...20mA dc Current output  
(It must be determined in order.)
- Password protection for programming and adjustment sections

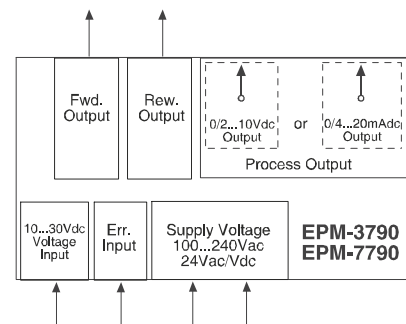
### Specifications

#### Input

Digital Input: Error Input (Max. 3mA @ 30Vdc)  
Resolution: 12 bits  
Fluctuation: Max. 30 mV  
Scale: Configurable between -1999 and 9999

#### Output

Analogue Output:  
0/2...10Vdc Voltage Output (Max. 10mA) or  
0/4...20mA dc Current Output  
Digital Outputs:  
Forward Output (Max. 5mA @ 30Vdc)  
Reverse Output (Max. 5mA @ 30Vdc)



#### Supply Voltage

100...240Vac (+15%; -10%) 50/60 Hz -2VA  
24Vac/dc (+15%; -10%) 50/60 Hz -2VA  
(It must be determined in order)

#### Dimensions

EPM-3790, 77x35 mm, Depth : 62.5 mm  
EPM-7790, 72x72 mm, Depth : 95.5 mm