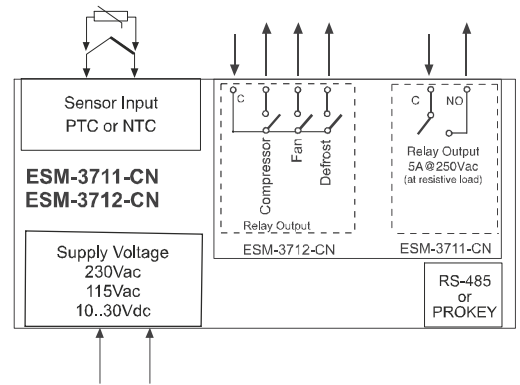


Digital ON/OFF
Single SET & Dual SET
Cooling Control

ESM-3711-CN
ESM-3712-CN



- Cooling Application
- NTC Input or PTC Input (Must be determined in order.)
- ON / OFF Control
- Adjustable °C and °F
- Set value boundaries
- 3 output for compressor, defrost and fan controls
- 2 sensor input for cabinet and evaporator (ESM-3712-CN)
- 1 sensor input for cabinet and evaporator
- Configurable digital input
- Separately adjustable 2 offset value for cabinet and evaporator sensor
- Selectable defrost function (hot gas or electric)
- Adjustable defrost time from front panel
- Fan can be operated depending on compressor and defrost
- Fan can be operated depending on evaporator temperature or (cabinet - evaporator) temperature
- Defrost time and/or manual defrost and/or temperature set value protection
- Operation selection of compressor operate continuously, stops or operates periodically in case of cabinet probe defect
- Installing parameters using Prokey
- Remote access, data collecting and controlling with Modbus RTU
- Password protection for programming mode



Specifications

Input

PTC: PTC (1KOhm @ 25°C)
NTC: NTC (10KOhm @ 25°C)

Output

Compressor Output : Relay 16A@250Vac at resistive load)
Defrost Output : Relay (5A@250Vac at resistive load)
Fan Output : Relay (5A@250Vac at resistive load)

Dimension

ESM-3711-CN & ESM-3712-CN : 76x34.5mm, Depth:71mm

Measurement Range

Accuracy: ±%1 of scale
Sensor Break Protection: Upscale
Sampling Cycle: 3 samples per second

Supply Voltage:

230Vac (±%15) 50/60 Hz -1.5VA
115Vac (±%15) 50/60 Hz -1.5VA
24Vac (±%15) 50/60 Hz -1.5VA
24Vac/dc (-%15;+%10)50/60 Hz-1.5VA
10...30Vdc 1.5Va

Environmental Rating and Physical Specification

Operation Temperature: 0...50°C
Humidity: 0-90%RH (none condensing)
Protection Class: IP65 at front, IP20 at rear