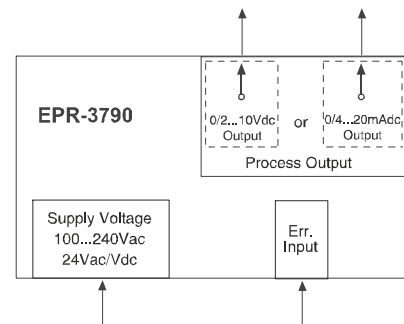


## Digital Power Regulator

EPR-3790



- Easily adjustable set value from front panel
- Configurable display scale between -1999 and 9999
- Adjustable decimal point
- Set value low limit and set value high limit boundaries
- Adjustable ramp up and ramp down time
- Error Input
- 0/2...10Vdc Voltage output or  
0/4...20mA dc Current output  
(It must be determined in order.)
- Password protection for programming and adjustment sections



### Specifications

#### Input

Digital Input :Error Input ( maks. 3mA@30Vdc )  
Resolution : 12 bit  
Fluctuation : Maks. 30mV  
Scale : Configurable between -1999 and 9999

#### Output

Analogue Output:  
0/2...10Vdc Voltage Output (Max. 10mA) or  
0/4...20mA dc Current Output

#### Supply Voltage

100...240Vac (+15%; -10%) 50/60 Hz -2VA  
24Vac/dc (+15%; -10%) 50/60 Hz -2VA  
(It must be determined in order)

#### Environmental Ratings and Physical Specification

Operating Temperature: 0...50°C  
Humidity : 0-90%RH (non condensing)  
Protection Class: IP65 at Front, IP20 at rear

#### Dimension

EPR-3790 : 77x35mm, Depth:62.5mm