

KombiSIGN 40 / Accessories

Bracket assembly on profiling WM BK



Part No.: 960.630.02

MECHANICAL DATA	
Length	70 mm
Width	41 mm
Height	57 mm
Materials	PC/ABS
Housing colour	Black
Protection category	IP66 IP69K
Weight with packaging	27 g
Product weight	27 g

APPROVAL DATA	
WEEE	No
Conforms with RED directive	No
Conform with ATEX-directive	No
Conforms with CCC	No
Conforms with UL	No
Conforms with FCC	No
Conforms with IC	No
EAC certificate available	No
Conforms with AS-I	No
ICAO Certification	No
Conforms with GL	No
Conforms with RoHS CN	No

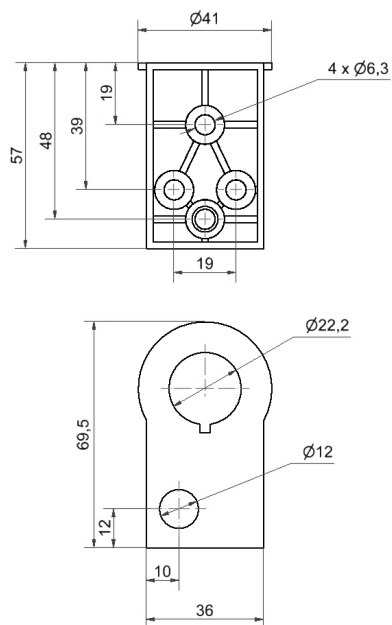


For additional installation and mounting information, refer to the appropriate user guide at www.werma.com. This printed copy is for information only and is subject to alteration.

KombiSIGN 40 / Accessories

Bracket assembly on profiling WM BK

DRAWING



For additional installation and mounting information, refer to the appropriate user guide at www.werma.com. This printed copy is for information only and is subject to alteration.