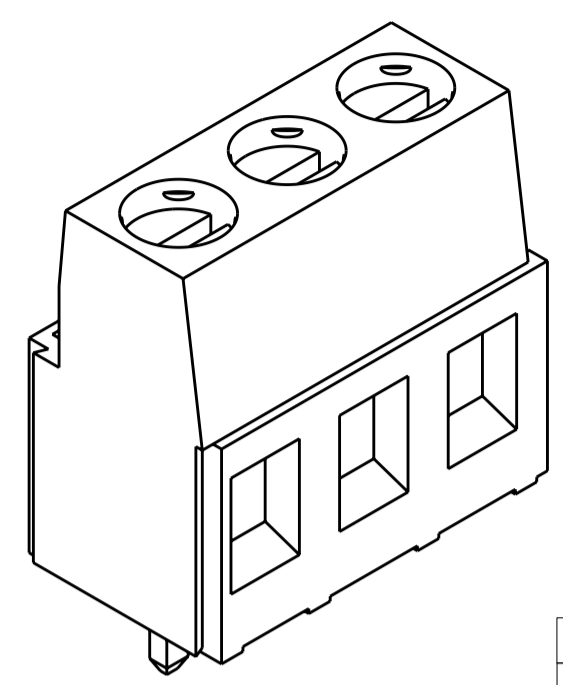
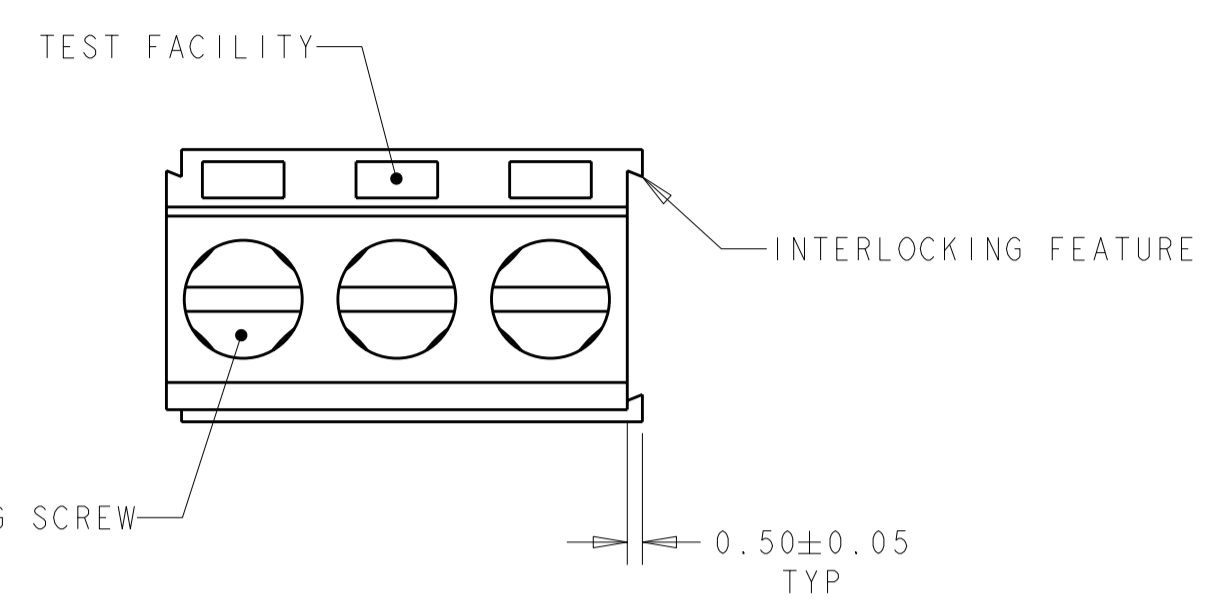


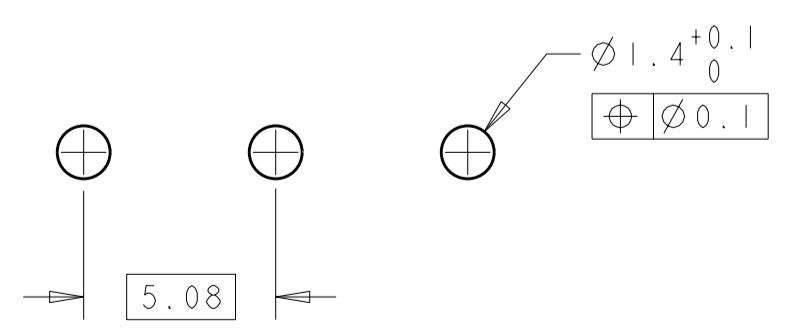
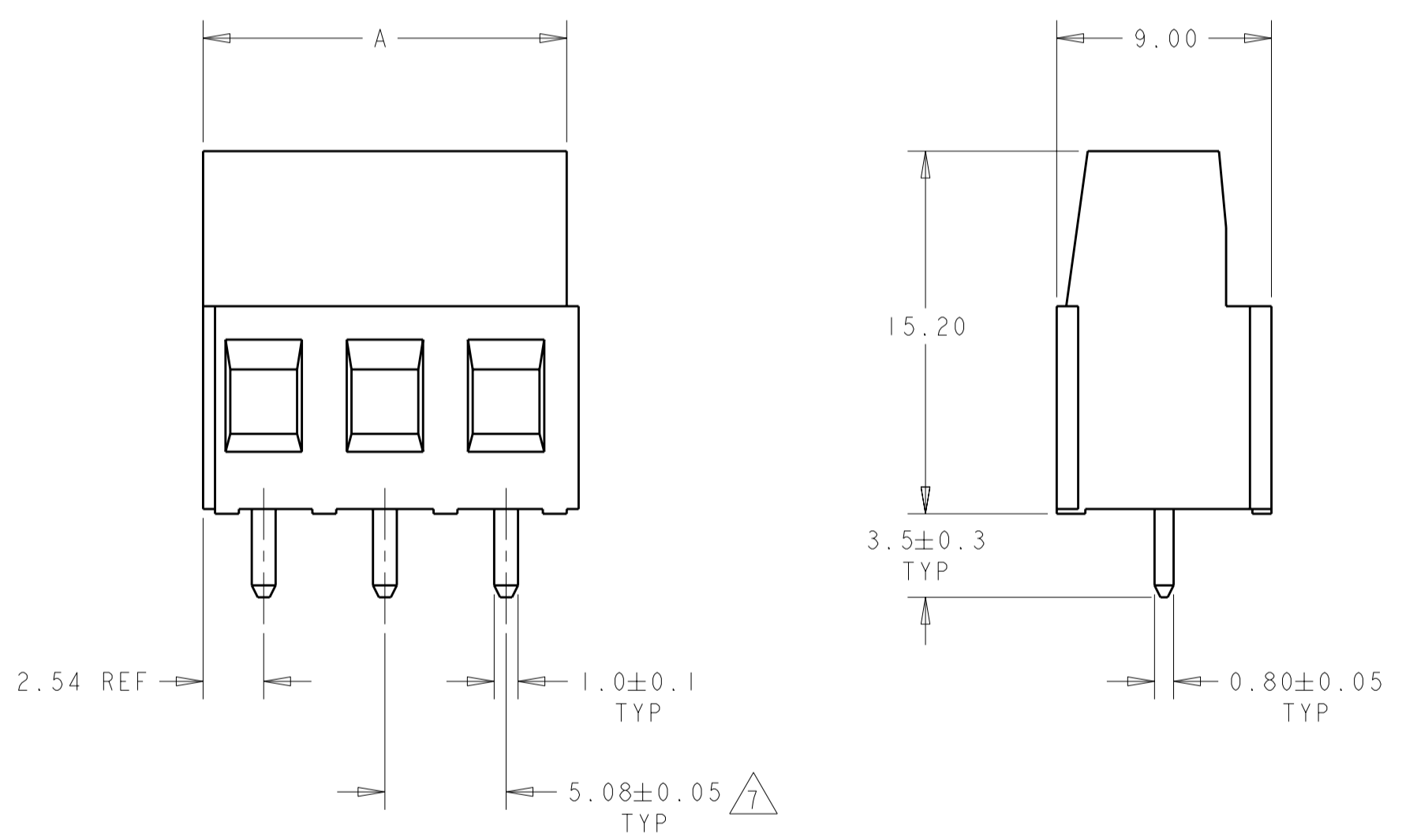
THIS DRAWING IS UNPUBLISHED. RELEASED FOR PUBLICATION 20
 © COPYRIGHT 20 BY - ALL RIGHTS RESERVED.

REVISIONS					
P	LTR	DESCRIPTION	DATE	DWN	APVD
	H6	REVISED PER ECO-11-005027	14MAR2011	RK	HMR



282841-3 AS SHOWN
 PRELIMINARY

DETAIL C	PRELIMINARY	-	SEE SHEET 2	GREEN	15.24	3	4-282841-0	
DETAIL B	PRELIMINARY	-	-	GREEN	25.40	5	3-282841-9	
	PRELIMINARY	STAINLESS STEEL	-	GREEN	20.32	4	3-282841-8	
	PRELIMINARY	STAINLESS STEEL	-	GREEN	40.64	8	3-282841-7	
	PRELIMINARY	STAINLESS STEEL	-	GREEN	20.32	4	3-282841-6	
	PRELIMINARY	STAINLESS STEEL	-	GREEN	15.24	3	3-282841-5	
	PRELIMINARY	STAINLESS STEEL	-	GREEN	10.16	2	3-282841-4	
			SEE SHEET 2	GREEN	45.72	9	3-282841-3	
			SEE SHEET 2	GREEN	66.04	13	3-282841-2	
			SEE SHEET 2	GREEN	20.32	4	3-282841-1	
			SEE SHEET 2	GREEN	60.96	12	3-282841-0	
			-	BLACK	127.0	25	2-282841-9	
			-	GREEN	127.0	25	2-282841-8	
			-	GREEN	121.92	24	2-282841-7	
			-	GREEN	116.84	23	2-282841-6	
			-	GREEN	111.76	22	2-282841-5	
			-	GREEN	106.68	21	2-282841-4	
			-	GREEN	101.60	20	2-282841-3	
			-	GREEN	96.52	19	2-282841-2	
			-	GREEN	91.44	18	2-282841-1	
			-	GREEN	86.36	17	2-282841-0	
			-	GREEN	81.28	16	1-282841-9	
			-	GREEN	76.20	15	1-282841-8	
			-	GREEN	71.12	14	1-282841-7	
			-	GREEN	66.04	13	1-282841-6	
			SEE SHEET 2	GREEN	40.64	8	1-282841-5	
			SEE SHEET 2	GREEN	35.56	7	1-282841-4	
			-	BLACK	35.56	7	1-282841-3	
			-	GREEN	60.96	12	1-282841-2	
			-	GREEN	55.88	11	1-282841-1	
			-	GREEN	50.80	10	1-282841-0	
			-	GREEN	45.72	9	282841-9	
			-	GREEN	40.64	8	282841-8	
			-	GREEN	35.56	7	282841-7	
			-	GREEN	30.48	6	282841-6	
			-	GREEN	25.40	5	282841-5	
			-	GREEN	20.32	4	282841-4	
			-	GREEN	15.24	3	282841-3	
			-	GREEN	10.16	2	282841-2	
			CLAMPING SCREW	MARKING	COLOR	A	NO OF POSN	PART NUMBER

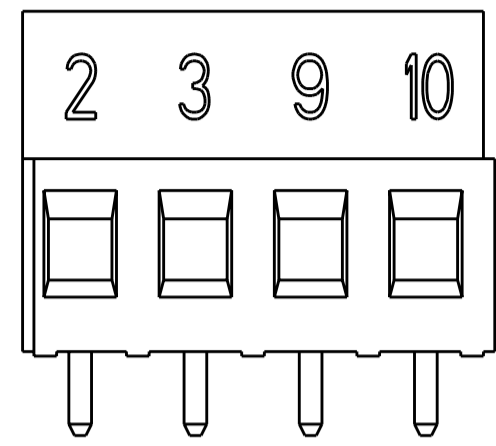


RECOMMENDED PC BOARD LAYOUT
 SCALE 5:1

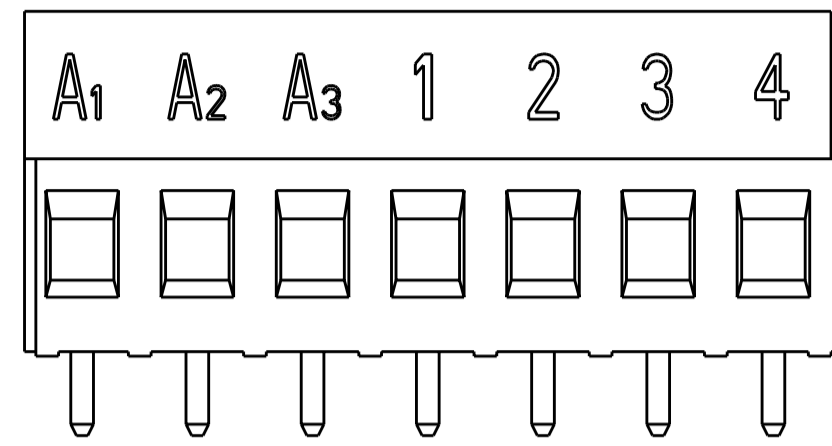
THIS DRAWING IS A CONTROLLED DOCUMENT.		DWN S. WELDON 26 JAN 2001	TE Connectivity	
DIMENSIONS: mm		CHK D. BIEVENOUR 26 JAN 2001		
TOLERANCES UNLESS OTHERWISE SPECIFIED:		APVD D. BIEVENOUR 26 JAN 2001		
0 PLC ±0 1 PLC ±.3 2 PLC ±.25 3 PLC ±0 4 PLC ±0 ANGLES ±2° FINISH		PRODUCT SPEC - APPLICATION SPEC - WEIGHT -		
MATERIAL		NAME		TERMINAL BLOCK PCB MOUNT W/INTERLOCK, 5.08mm PITCH
		SIZE CAGE CODE DRAWING NO A200779C-282841		RESTRICTED TO -
CUSTOMER DRAWING		SCALE 4:1		SHEET 1 OF 2 REV. H6

THIS DRAWING IS UNPUBLISHED. RELEASED FOR PUBLICATION 20
 © COPYRIGHT 20 BY - ALL RIGHTS RESERVED.

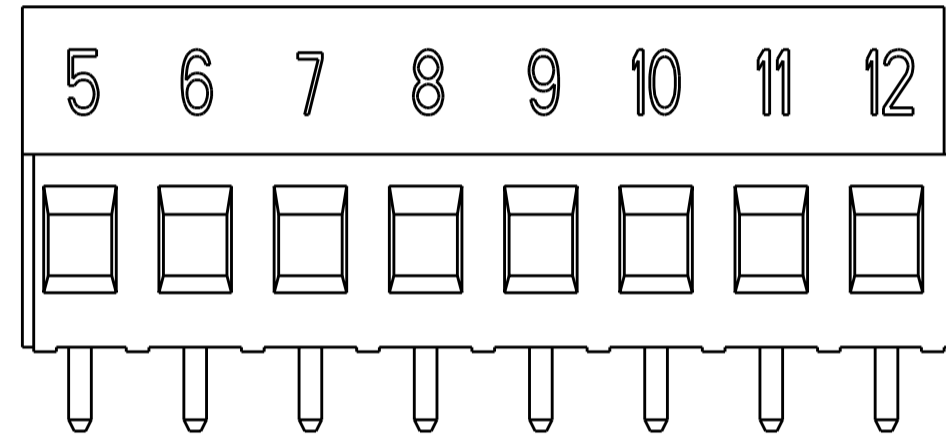
LOC	DIST	REVISIONS			
P	LTR	DESCRIPTION	DATE	DWN	APVD
FT	0	-	SEE SHEET 1	-	-



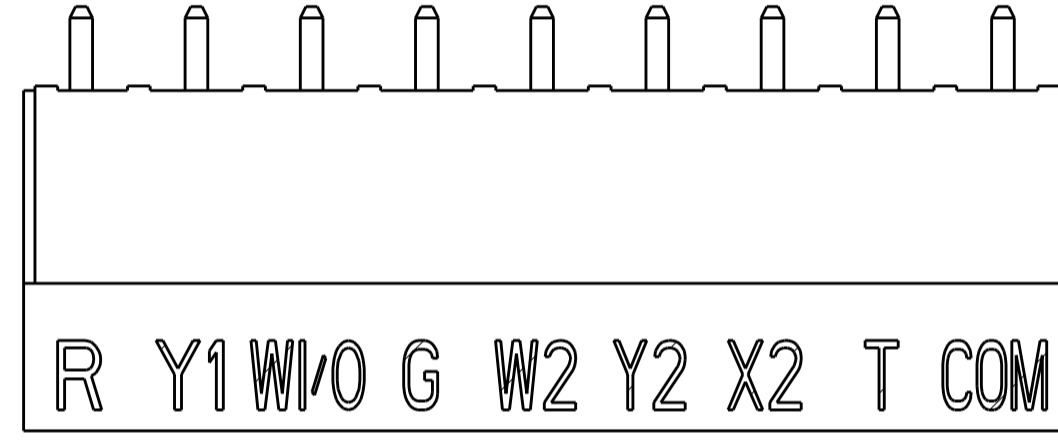
3-282841-1 AS SHOWN $\triangle 8$



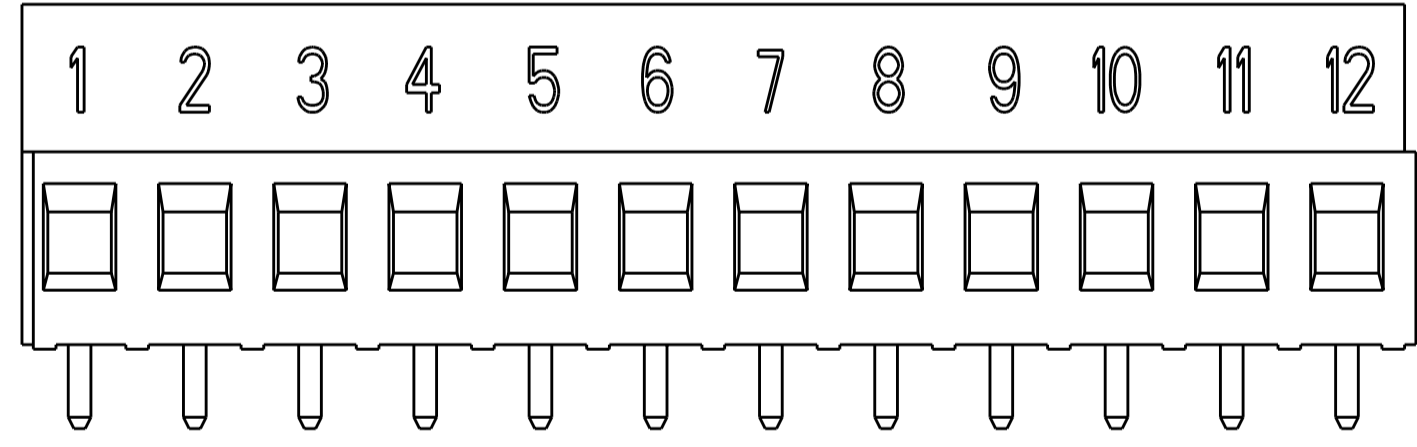
1-282841-4 AS SHOWN $\triangle 8$



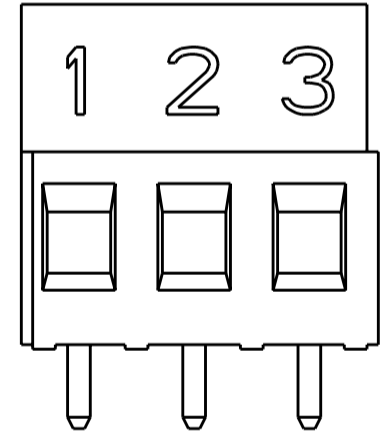
1-282841-5 AS SHOWN $\triangle 8$



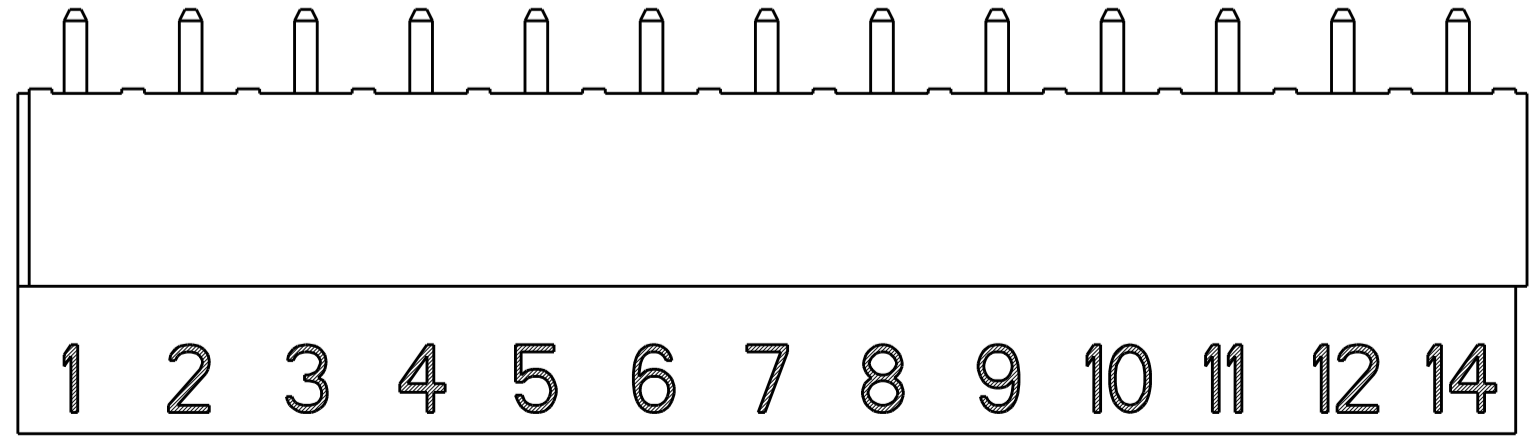
3-282841-3 AS SHOWN $\triangle 8$



3-282841-0 AS SHOWN $\triangle 8$

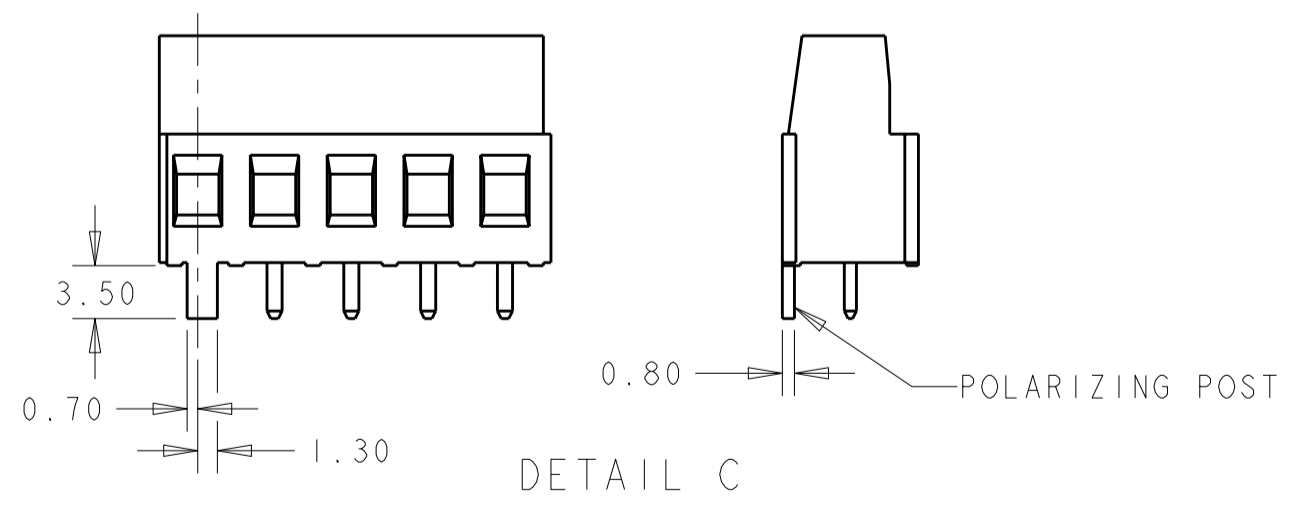
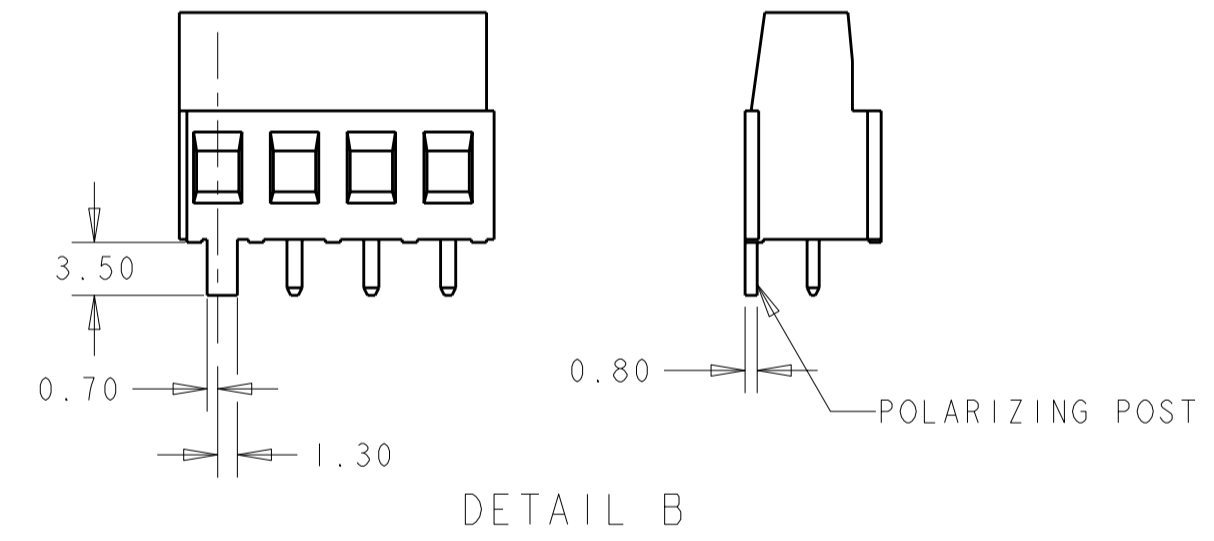


4-282841-0 AS SHOWN $\triangle 8$



3-282841-2 AS SHOWN $\triangle 8$

- $\triangle 1$ MATERIALS AND FINISH:
 HOUSING: PA 6-6, UL 94-V0, COLOR: SEE TABLE.
 CLAMP: BRASS, NICKEL PLATED.
 TERMINAL: BRASS, TIN PLATED.
 CLAMPING SCREW: M3, BRASS, NICKEL PLATED.
2. SUITABLE FOR 1,6-2,4mm. PCB THICKNESS.
3. END-TO-END STACKABLE W/INTERLOCK WITHOUT LOSS OF CENTERLINE SPACING.
4. WIRE SIZE RANGE: 12-30 AWG
5. RECOGNIZED UNDER THE COMPONENT PROGRAM OF UNDERWRITERS LABORATORIES INC. FILE No E60677.
6. IMQ CERTIFICATE WITH SURVEILLANCE IN CONFORMITY WITH IEC 998-1/998-2-1.
- $\triangle 7$ NOT CUMULATIVE TOLERANCE.
- $\triangle 8$ INK MARKING : BLACK COLOR.
9. BUCHANAN LOGO TO APPEAR ON HOUSING, LOCATION OPTIONAL, WHERE SPACE PERMITS.



THIS DRAWING IS A CONTROLLED DOCUMENT.		DWN S. WELDON 26 JAN 2001	STE TE Connectivity	
DIMENSIONS: mm		CHK D. BIEVENOUR 26 JAN 2001		
TOLERANCES UNLESS OTHERWISE SPECIFIED:		APVD D. BIEVENOUR 26 JAN 2001	NAME: TERMINAL BLOCK PCB MOUNT W/INTERLOCK, 5.08mm PITCH	
0 PLC ±0		PRODUCT SPEC	SIZE: A2 CAGE CODE: 200779 DRAWING NO: 282841	
1 PLC ±.3		APPLICATION SPEC	RESTRICTED TO	
2 PLC ±.25		WEIGHT	SCALE: 3:1 SHEET 2 OF 2 REV: H6	
3 PLC ±0		CUSTOMER DRAWING		
4 PLC ±0				
ANGLES ±2°				
FINISH				