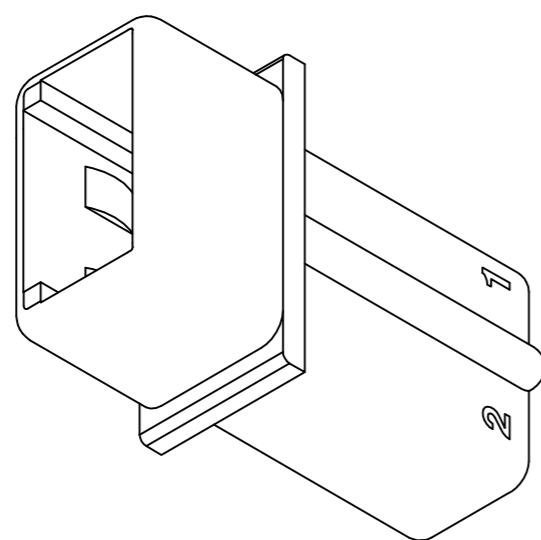
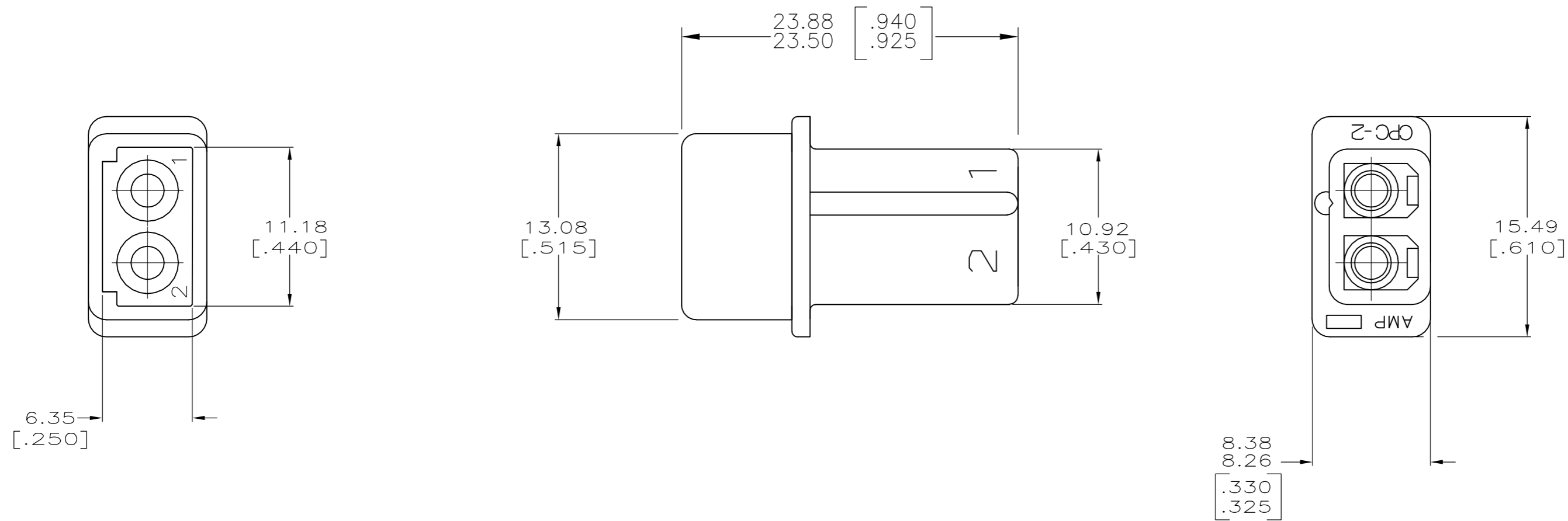


THIS DRAWING IS UNPUBLISHED. RELEASED FOR PUBLICATION
 © COPYRIGHT - By - ALL RIGHTS RESERVED.

LOC		DIST		REVISIONS			
P	LTR	DESCRIPTION		DATE	DWN	APVD	
CM	00	N1	REVISED PER ECO-11-004587		11MAR11	RK	HMR

1. THIS CAP TO BE USED WITH PLUG NO. 480318.
2. TO BE USED WITH APPROPRIATE COMMERCIAL MATE-N-LOK PINS.
3. DIMENSIONS IN BRACKETS ARE IN INCHES.



3-DIMENSIONAL MODELS NTS



BLACK	1-480319-9
YELLOW	1-480319-4
NATURAL	1-480319-0
COLOR	PART NO

THIS DRAWING IS A CONTROLLED DOCUMENT.		DWN K. WHITAKER 16-FEB-04	16-FEB-04		TE Connectivity
DIMENSIONS: mm[INCHES]		CHK D. COLEY 16-FEB-04	16-FEB-04		
TOLERANCES UNLESS OTHERWISE SPECIFIED:		APVD D. COLEY 16-FEB-04	16-FEB-04		SIZE A2
0 PLC ± - 1 PLC ± - 2 PLC ± 0.13[.005] 3 PLC ± - 4 PLC ± - ANGLES ± -		PRODUCT SPEC		CAGE CODE 00779	
MATERIAL UL94V-2,NYLON		APPLICATION SPEC		DRAWING NO C-480319	
FINISH		WEIGHT		RESTRICTED TO	
		CUSTOMER DRAWING		SCALE 4:1 SHEET 1 OF 1 REV N1	