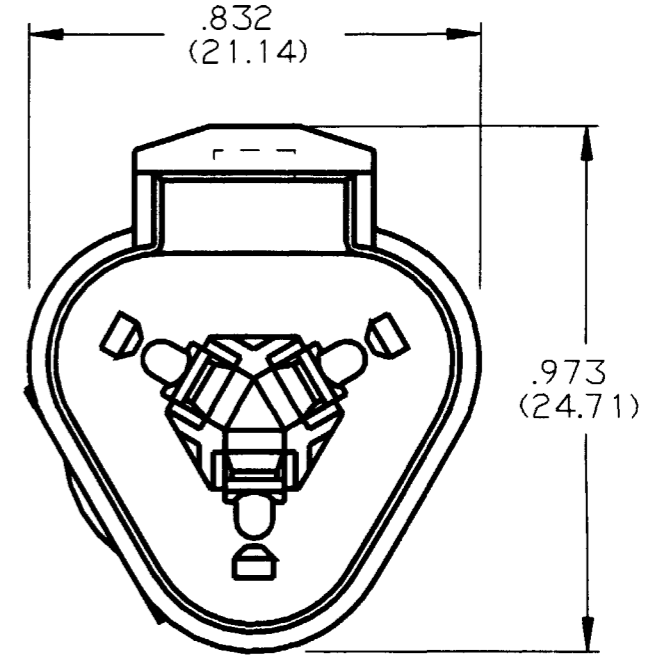
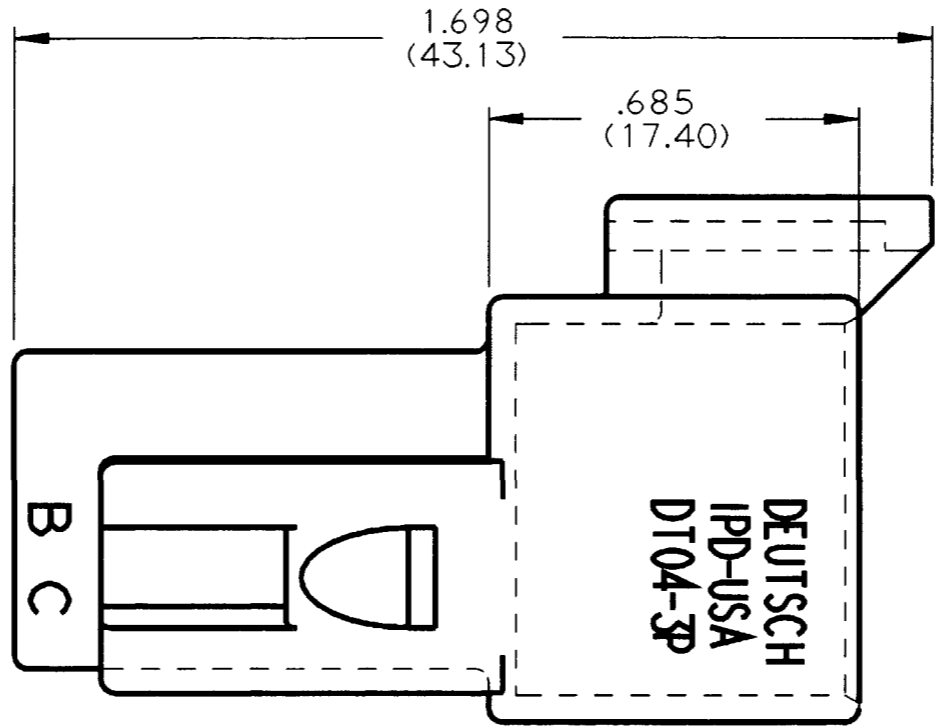
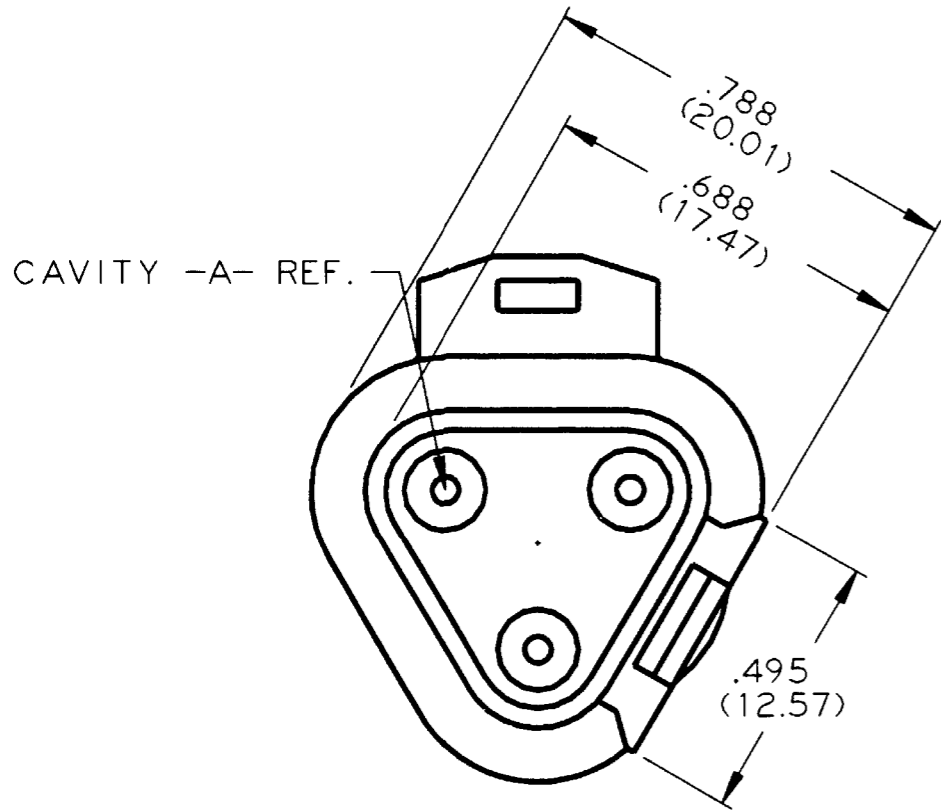


REV
C DT04-3P

REVISIONS			
SYM	DESCRIPTION	DATE	APPROVED
B	REVISED AND REDRAWN E.O. A09355	9/6/90	J.A.
C	REVISED PER E.O. P15019	4-4-96	RDR



- NOTES:
1. ALL DIMENSIONS ARE IN INCHES (METRIC).
 2. ALL DIMENSIONS ARE ±.025 (0.63) UNLESS OTHERWISE SPECIFIED.
 3. CONSULT FACTORY FOR CONTACT SPECIFICATION AND APPLICATION.
 4. THIS CONNECTOR CAN PASS THRU A ONE INCH HOLE.
 5. FOR MORE INFO SEE ENVELOPE DWG. 0425-017-0000 AND 0425-015-0000.

SIGNATURE & DATE	
DR	C. WOODRUFF 13 JUL 90
CHK	
PE	<i>Waldemar Tomaszewski</i>
APPD	<i>R. Reed</i> 4-4-96
SCALE	NONE
WT	

3 WAY RECEPTACLE
D.T. SERIES

ENVELOPE

CP	MATL. CODE
The Deutch Company DEUTSCH I.P.D. 37140 INDUSTRIAL AVE. HEMET, CALIF. 92343	
B	DT04-3P
DWG SIZE	SHEET 1 OF 1
11139	