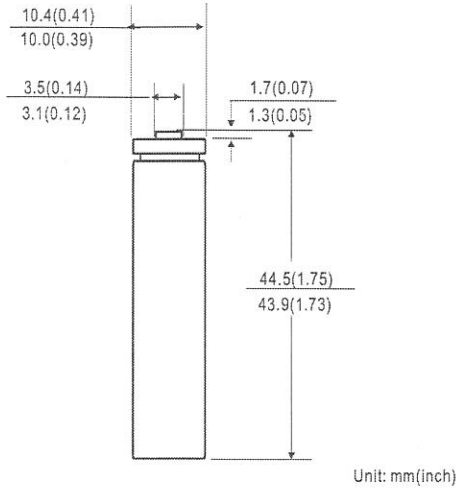


RECHARGEABLE BATTERY : Nickel Metal Hydride

Document Title: RB003111

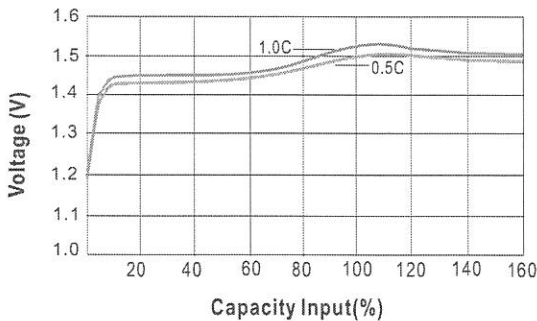
NH-AAA1100

Dimensions:



| | |
|---|--|
| Chemical System | : Nickel Metal Hydride |
| Camelion Model | : NH-AAA1100 |
| Average Weight | : 14.5g |
| Dimension (Ø x H) | : 10.2 ^{-0.2} x 44.2 ^{-0.3} mm (0.40 ^{-0.01} x 1.74 ^{-0.01} inch) |
| Nominal Voltage | : 1.2 Volts |
| Nominal Internal Resistance | : 30 m-ohm @ 1kHz |
| Capacity(200mA constantly discharge to 1.0V at 20±2°C) | |
| Typical | : 1000mAh |
| Minimum | : 950mAh |
| Max. Charge Current | : 1100mA |
| Max. Discharge Current | : 2200mA |
| Relative Humidity | : 65±20% |
| Jacket | : PVC Label |

Fast Charge Characteristics



Charging Conditions

| Mode | Current | Time | Temperature |
|----------|---------|--------------|-------------|
| Standard | 110mA | 15.0hrs | 0°C~45°C |
| Quick | 550mA | 2.5hrs | 10°C~45°C |
| Fast | 1100mA | 1.2hrs* | 10°C~45°C |
| Trickle | 30~50mA | Continuously | 10°C~35°C |

*Can also be controlled with - ΔV or dT/dt system
 - ΔV : 0-10mV
 dT/dt : 0.8°C/min(0.5C to 0.9C)
 0.8-1.0°C/min(1C)
 Timer cut off : 120% nominal capacity
 Temp. cut off : 55°C

Continuous Overcharge

100mA maximum current for 28 days
 No conspicuous deformation and/or leakage

Operating and Storage Temperatures

Charge at 0.1C : 0°C to 50°C (32°F to 122°F)
Discharge at 0.1C : -20°C to 50°C (-4°F to 122°F)
Storage : -40°C to 50°C (-40°F to 122°F)
 (3 Months Max.)
 -20°C to 35°C (-4°F to 95°F)
 (2 Years Max.)

Service Life

>500 cycles (IEC standard)
 Up to 1000 cycles (not less than 60% of nominal at 0.1C Charge/0.2C discharge)

Discharge Characteristics

