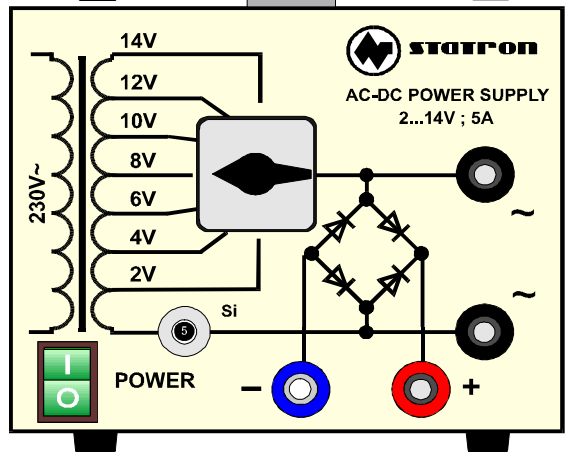
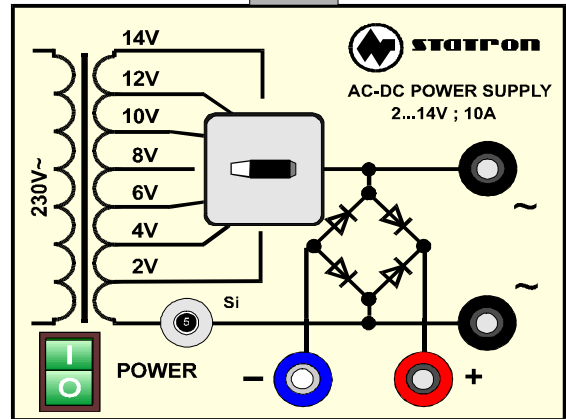
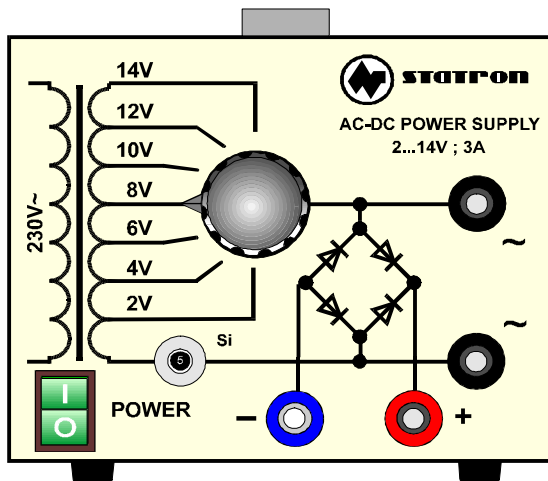




Equipment qualities

- output mass free
- thermal circuit breaker on front panel
- galvanically separated to input
- lighted switch
- all purpose



technical parameter

Type		5359.0	5359.1	5359.3
Specification		isolating transformer		
AC	output voltage AC	2-14V		
AC	output current AC	3A	10A	5A
		bridge rectifier		
DC	output voltage DC	2-14V		
DC	output current DC	3A	10A	5A
	dimensions WxHxD mm	140 x 130 x 210 mm		
	weight kg	3 kg	4 kg	3 kg
AC	input voltage	230V +/-10% 50 Hz		
	output voltage DC	electrolytic capacitor		
	display	no		
	display	no		
	safety class	I		
	fuse	Primär fuse in board; Sekundär temp. Fuse on front panel		
	color	RAL 7035		
	connector input	cable		
	connector output	4 mm safety sockets		
AC	testing voltages	EN 61010 ; EN 61558-2-4		
	Operating temperature	0 - 50°C		
	max. relative humidity	80% by 35°C		
	electromagnetic compatibility	EN 61000-6-3 ; EN 61000-6-2		