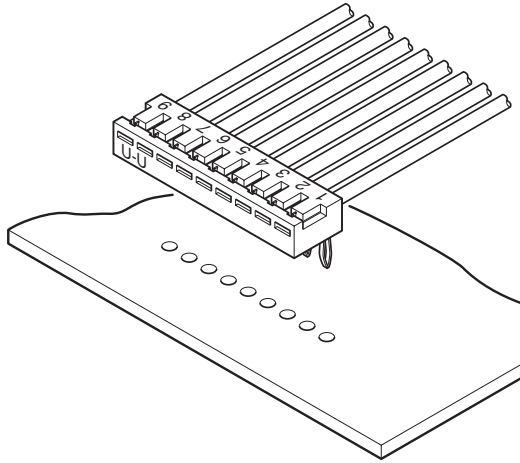




# SJN CONNECTOR

2.0mm pitch/Board-in Crimp style connectors



**Side entry type board-in connector, with a mounting height of only 2.8mm and a thickness of 4.9mm.**

- Housing lances
- Easy mounting onto printed circuit boards

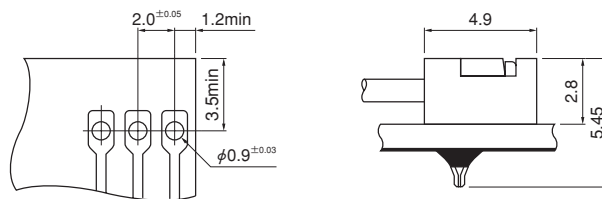
## Specifications

- Current rating: 3A AC, DC (AWG #22)
- Voltage rating: 250V AC, DC
- Temperature range: -25°C to +85°C  
(including temperature rise in applying electrical current)
- Insulation resistance: 1,000M  $\Omega$  min.
- Withstanding voltage: 800V AC/minute
- Applicable wire: AWG #28 to #22
- Applicable PC board thickness: 1.2 to 1.6mm
- \* Compliant with RoHS.
- \* Refer to "General Instruction and Notice when using Terminals and Connectors" at the end of this catalog.
- \* Contact JST for details.

## Standards

Recognized E60389

### PC board layout (viewed from soldering side) and Assembly layout

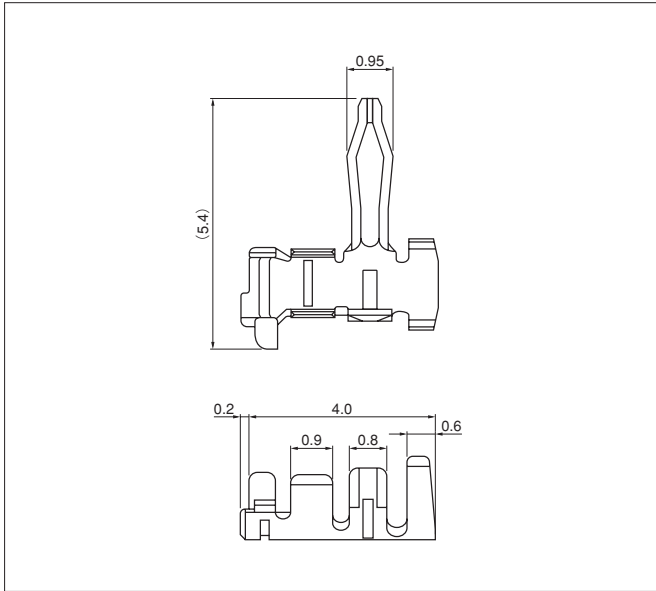


Note: 1. Tolerances are non-cumulative:  $\pm 0.05$ mm for all centers.

2. Hole dimensions differ according to the kind of PC board and piercing method. The dimensions above should serve as a guideline. Contact JST for details.

# SJN CONNECTOR

## Contact



| Model No.            | Applicable wire |       | Insulation O.D.(mm) | Q'ty / reel |
|----------------------|-----------------|-------|---------------------|-------------|
|                      | mm <sup>2</sup> | AWG # |                     |             |
| <b>SJN-001PT-0.9</b> | 0.20~0.33       | 24~22 | 1.1~1.4             | 15,000      |
| <b>SJN-002PT-0.9</b> | 0.08~0.22       | 28~24 | 0.9~1.4             | 18,000      |

### Material and Finish

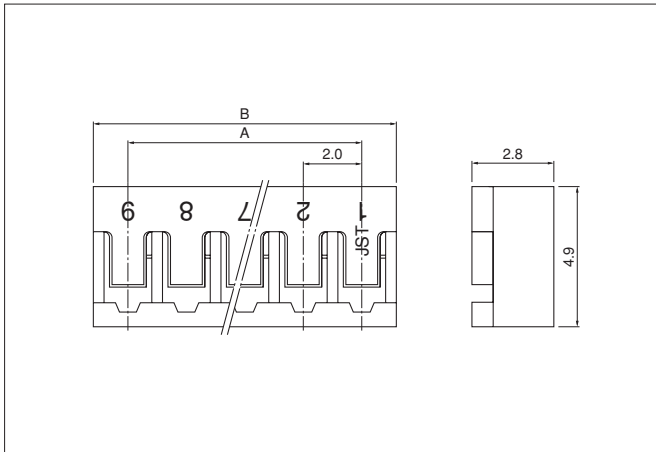
Brass, tin-plated (reflow treatment)

### RoHS compliance

Note: Contact JST if you require shielded wires, thin wires or other special wires.

| Contact              | Crimping machine | Applicator       |               |                            |
|----------------------|------------------|------------------|---------------|----------------------------|
|                      |                  | Crimp applicator | Dies          | Crimp applicator with dies |
| <b>SJN-001PT-0.9</b> | AP-K2N           | MKS-L            | MK/SJN-001-09 | APLMK SJN001-09            |
|                      |                  | —                | —             | —                          |
| <b>SJN-002PT-0.9</b> |                  | MKS-L            | MK/SJN-002-09 | APLMK SJN002-09            |
|                      |                  | —                | —             | —                          |

## Housing



| Circuits | Model No.      | Dimensions (mm) |      | Q'ty / bag |
|----------|----------------|-----------------|------|------------|
|          |                | A               | B    |            |
| 2        | <b>02P-SJN</b> | 2.0             | 4.4  | 2,000      |
| 3        | <b>03P-SJN</b> | 4.0             | 6.4  | 1,000      |
| 4        | <b>04P-SJN</b> | 6.0             | 8.4  | 1,000      |
| 6        | <b>06P-SJN</b> | 10.0            | 12.4 | 1,000      |
| 7        | <b>07P-SJN</b> | 12.0            | 14.4 | 1,000      |
| 8        | <b>08P-SJN</b> | 14.0            | 16.4 | 1,000      |
| 9        | <b>09P-SJN</b> | 16.0            | 18.4 | 1,000      |
| 10       | <b>10P-SJN</b> | 18.0            | 20.4 | 1,000      |

### Material

PA 66, UL94V-0, natural (white)

### RoHS compliance