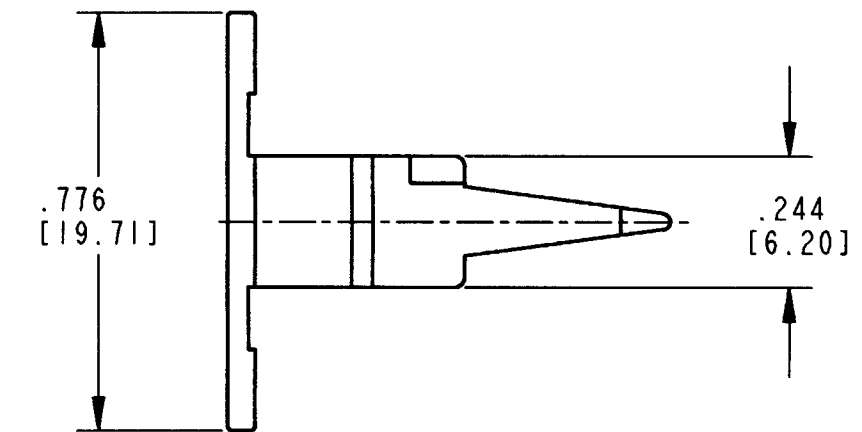
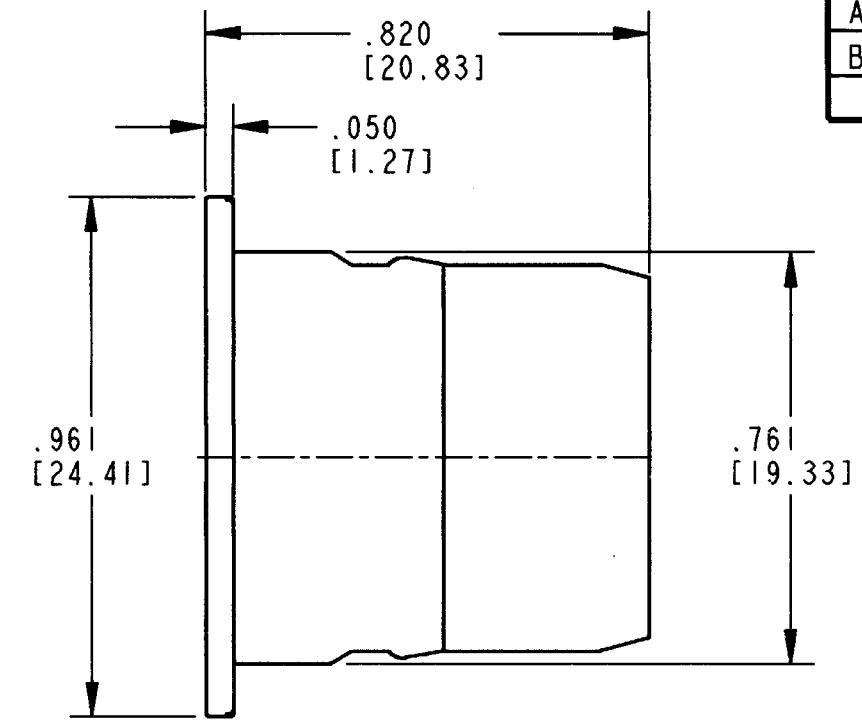
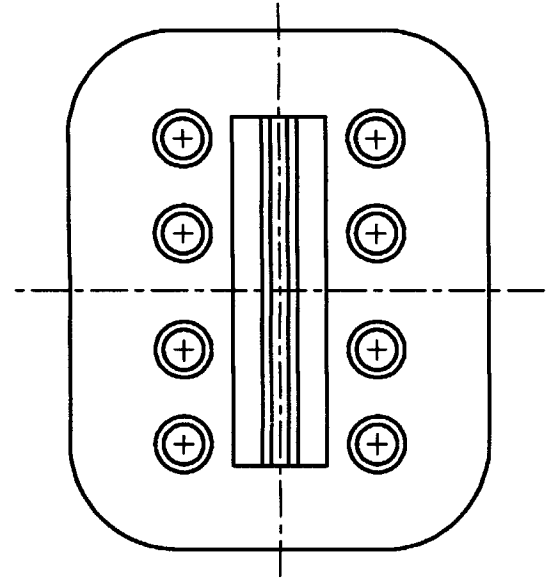


REV
B

W8S

REVISIONS

| SYM | DESCRIPTION | DATE | APPROVED |
|-----|----------------------------|----------|----------|
| NC | NEW RELEASE PER E.O. A6889 | 10/9/87 | J.A. |
| A | REVISED PER E.O. A09299 | 2/12/90 | J.A. |
| B | REVISED PER E.O. P17509 | 11-28-01 | RDR |



- 4. W8S WEDGE USED WITH DT06-08S* PLUG.
- 3. CONSULT FACTORY FOR APPLICATION.
- 2. DIMENSIONS $\pm .025$ [.64] UNLESS OTHERWISE SPECIFIED.

NOTES: 1. ALL DIMENSIONS ARE IN INCHES [MILLIMETERS].

| SIGNATURE & DATE | |
|------------------|-----------------------|
| DR | X. SANCHEZ 08NOV01 |
| CHK | G. Kolinski 11/26/01 |
| PE | Joseph Y. Lam 1/16/02 |
| APPD | SpBend 11-26-01 |
| SCALE | NONE WT |

WEDGE LOCK
FOR
8 WAY PLUG
COLOR: ORANGE
DT SERIES

ENVELOPE

| | |
|---------------------------------------------------------------------------------------------|-----------------------|
| CP | MATL. CODE |
| The Deutsch Company DEUTSCH I.P.D. 3850 INDUSTRIAL AVE. HEMET, CALIF. 92545 | |
| B | W8S |
| DWG SIZE | CODE 11139 SHEET OF |