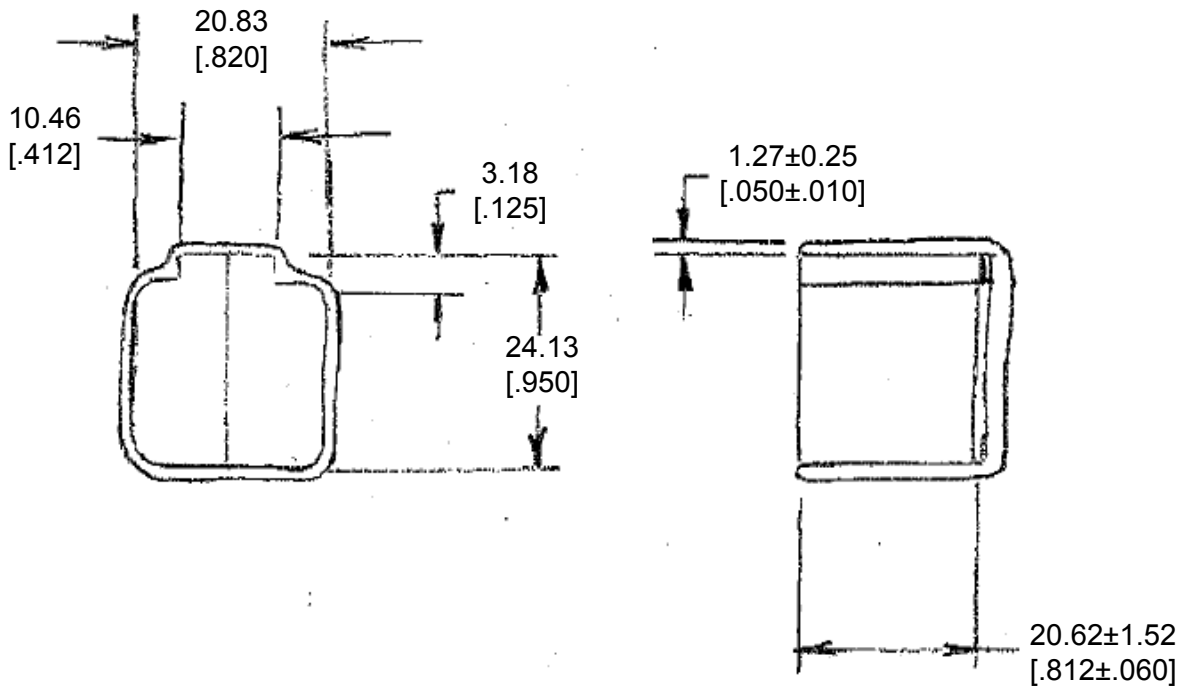


REVISIONS				
P	LTR	DESCRIPTION	DATE	APVD
A		NEW RELEASE PER ECO-14-008762	06-17-14	DM DM



2014

RELEASED FOR PUBLICATION

THIS DRAWING IS UNPUBLISHED.

ALL RIGHTS RESERVED.

© COPYRIGHT 2014 BY TE CONNECTIVITY

- 3. PART NO. DT6P-DC
- 2. TEMPERATURE RATING: -29°C TO +100°C [-20°F TO +212°F]
- 1. THIS PART IS USED ON DT04-6P WITH ANY MODIFICATION

DIMENSIONS: MM [INCH]	DWN	D. MEYER 17JUN2014	MATERIAL	PVC	FINISH	GRAY
	CHK	R. MESSENGER 17JUN2014				
TOLERANCES UNLESS OTHERWISE SPECIFIED:	APVD	D. MEYER 17JUN2014				
0 PLC ±	PRODUCT SPEC	NAME DUST CAP, RECEPTACLE, 6PIN DT SERIES				
1 PLC ±	APPLICATION SPEC					
2 PLC ± 0.63 [.025]	SIZE	A 4	CAGE CODE	4AFU8	DRAWING NO	C - DT6P-DC
3 PLC ±	WEIGHT	4.00 g	RESTRICTED TO		-	
4 PLC ±	Customer Drawing		SCALE	NONE	SHEET	1 OF 1
ANGLES ± 5°					REV	A