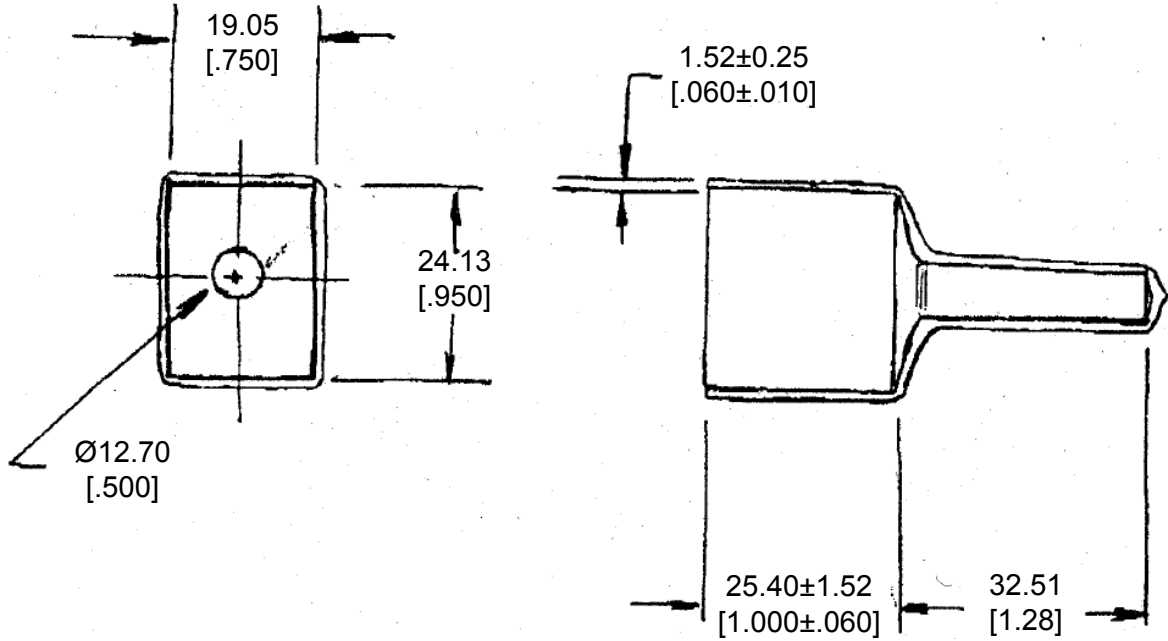


REVISIONS				
P	LTR	DESCRIPTION	DATE	APVD
A		NEW RELEASE PER ECO-14-008763	06-20-14	DM DM



3. PART NO. DT8P-BT

2. TEMPERATURE RATING: -29°C TO +100°C [-20°F TO +212°F]

1. THIS PART IS USED ON DT04-08PX (X=A,B,C,D KEYS) RECEPTACLES WITH ANY MODIFICATION THAT DOES NOT INCLUDE AN END CAP.



2014

RELEASED FOR PUBLICATION

THIS DRAWING IS UNPUBLISHED.

ALL RIGHTS RESERVED.

© COPYRIGHT 2014 BY TE CONNECTIVITY

DIMENSIONS: <b>MM [INCH]</b>	DWN	D. MEYER 20JUN2014	MATERIAL	PVC	FINISH	GRAY	
	CHK	R. MESSENGER 20JUN2014	 TE Connectivity				
TOLERANCES UNLESS OTHERWISE SPECIFIED:	APVD	D. MEYER 20JUN2014					
0 PLC ±	PRODUCT SPEC	NAME <b>BOOT, RECEPTACLE, 8PIN DT SERIES</b>					
1 PLC ±	APPLICATION SPEC	SIZE	CAGE CODE	DRAWING NO	RESTRICTED TO		
2 PLC ± 0.63 [0.025]	WEIGHT	A 4	4AFU8	C = DT8P-BT	-		
3 PLC ±		Customer Drawing				SCALE	NONE
4 PLC ±						SHEET	1 OF 1
ANGLES ± 5°					REV	A	