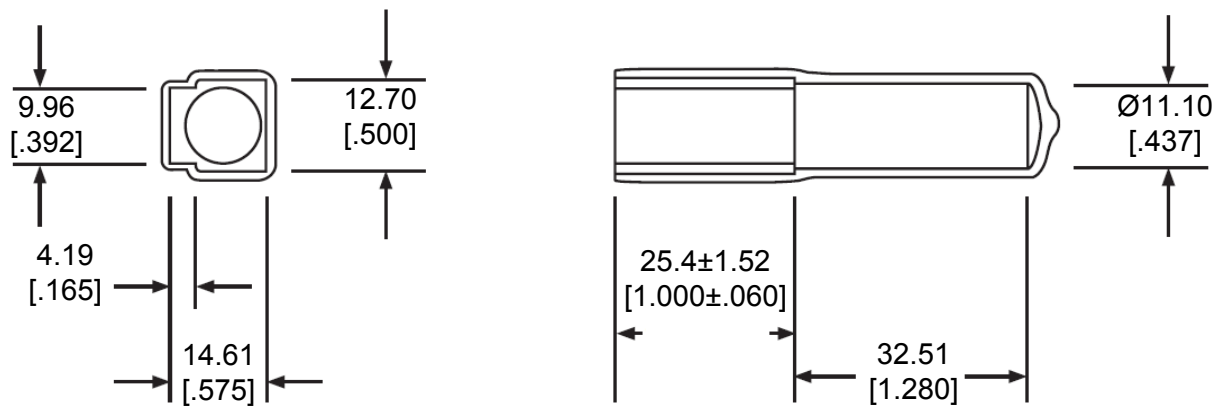


LOC	DIST	REVISIONS			
P	LTR	DESCRIPTION	DATE	DWN	APVD
	A	NEW RELEASE PER ECO-14-008753	10JUN2014	DM	DM
	AI	REVISED PER ECO-15-003782	10MAR2015	PS	DM

THIS ACCESSORY PART IS PROVIDED WITHOUT TYPICAL TRANSPORTATION INDUSTRY PROCESS CONTROLS. NO VALIDATION TESTING HAS BEEN PERFORMED. CUSTOMER IS RESPONSIBLE FOR DETERMINING PRODUCT PERFORMANCE AND SUITABILITY FOR APPLICATION.



3. PART NO. DT2S-BT
2. TEMPERATURE RATING: -29°C TO +100°C [-20°F TO +212°F]
1. THIS PART IS USED ON DT06-2S PLUG WITH ANY MODIFICATION THAT DOES NOT INCLUDE AN END CAP.

2014
 RELEASED FOR PUBLICATION
 ALL RIGHTS RESERVED.
 BY -TE CONNECTIVITY
 COPYRIGHT 2014
 THIS DRAWING IS UNPUBLISHED.

DIMENSIONS: mm [INCHES]	DWN D. MEYER	10JUN2014	MATERIAL	PVC	FINISH	GRAY
	CHK R. MESSENGER	10JUN2014				
TOLERANCES UNLESS OTHERWISE SPECIFIED:	APVD D. MEYER	10JUN2014				
0 PLC ±-	PRODUCT SPEC		NAME BOOT, PLUG, 2 PIN DT SERIES			
1 PLC ±-						
2 PLC ±0.63 [0.025]	APPLICATION SPEC		SIZE	CAGE CODE	DRAWING NO	RESTRICTED TO
3 PLC ±-			A 4	4AFU8	C=DT2S-BT	-
4 PLC ±-	WEIGHT	6.00g	SCALE NONE			
ANGLES ±5°	CUSTOMER DRAWING		SHEET 1 OF 1		REV AI	