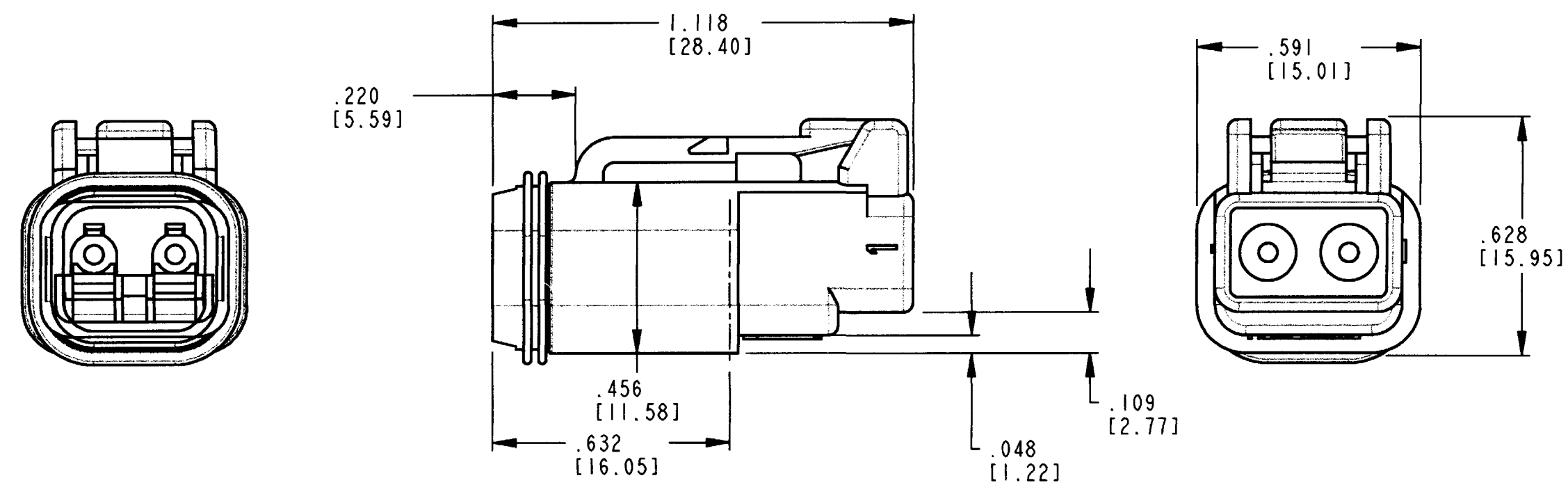


REV  
A  
DT06-2S-P012

| REVISIONS |                             |          |           |
|-----------|-----------------------------|----------|-----------|
| SYM       | DESCRIPTION                 | DATE     | APPROVED  |
| NC        | NEW RELEASE PER E.O. P15141 | 1-31-97  | R.R.      |
| A         | REVISED PER E.O. P15827     | 12-31-98 | <i>RR</i> |
|           |                             |          |           |



PLUG INSERTS INTO RECEPT.  
WITHIN THIS DISTANCE.

| CONTACT SIZE | MIN. INSUL. O.D. | MAX. INSUL. O.D. | WIRE RANGE                           |
|--------------|------------------|------------------|--------------------------------------|
| 16           | .088 [2.23]      | .145 [3.68]      | 14-18 AWG [2.0-0.75mm <sup>2</sup> ] |

- 5. THIS PLUG MATES WITH DT04-2P-E004, DT13-2P-E004, DT15-2P-E004 RECEPTACLE.
- 4. FOR CONTACT AND WIRE PERFORMANCE AND APPLICATION CHARACTERISTICS SEE ENVELOPE DRAWING 0425-015-0000 AND 0425-017-0000.
- 3. WEDGE LOCK W2S-P012 SOLD SEPARATELY.
- 2. DIMENSION TOLERANCE: ±.025 [0.63].

NOTES: 1. DIMENSIONS ARE IN INCHES [METRIC].

| SIGNATURE & DATE |                                |
|------------------|--------------------------------|
| DR               | H. TRAN OCT-14-96              |
| CHK              | <i>S. Blundell 12-4-98</i>     |
| PE               | <i>William Tomar NOV-16-98</i> |
| APPD             | <i>R. Rad 12-31-98</i>         |
| SCALE            | WT                             |

2 WAY PLUG  
COLOR: BLACK  
DT SERIES

ENVELOPE

|                                                                                             |                       |
|---------------------------------------------------------------------------------------------|-----------------------|
| CP                                                                                          | MATL. CODE            |
| <b>The Deutsch Company</b><br>DEUTSCH I.P.D.<br>3850 INDUSTRIAL AVE.<br>HEMET, CALIF. 92545 |                       |
| <b>B</b>                                                                                    | <b>DT06-2S-P012</b>   |
| DWG SIZE                                                                                    | CODE 11139 SHEET   OF |