

2014

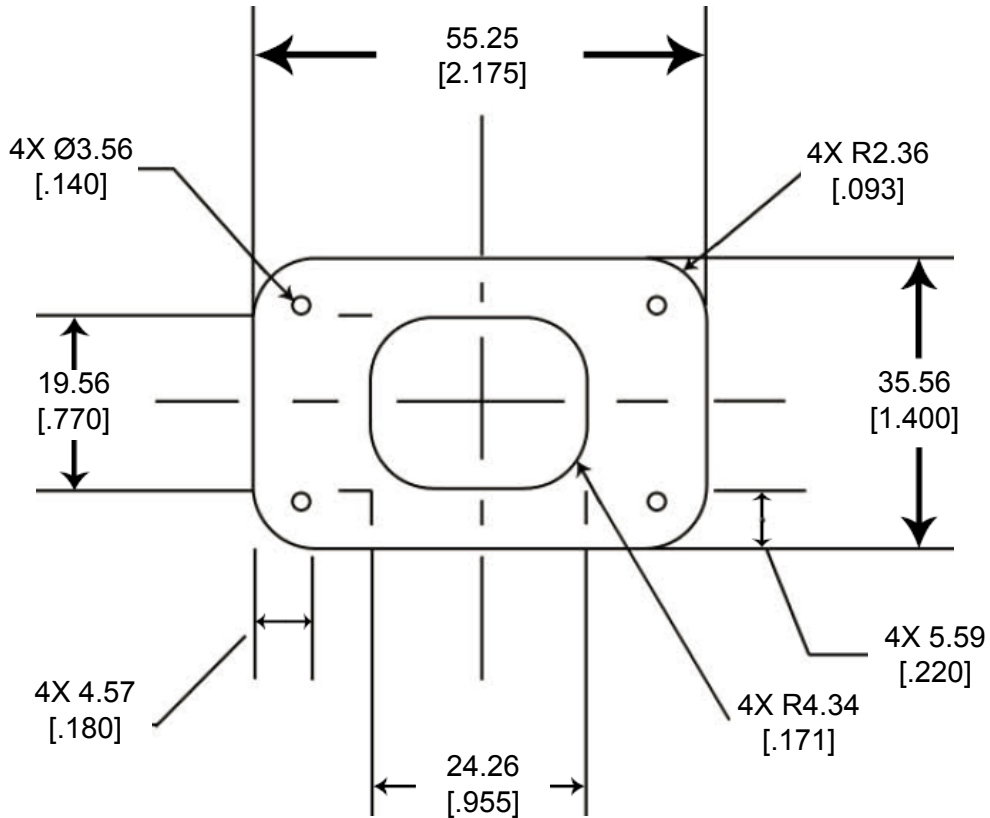
RELEASED FOR PUBLICATION

THIS DRAWING IS UNPUBLISHED.


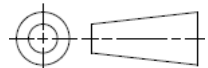
ALL RIGHTS RESERVED.

© COPYRIGHT 2014 BY TE CONNECTIVITY

REVISIONS				
P	LTR	DESCRIPTION	DATE	APVD
	A	NEW RELEASE PER ECO-14-008763	06-20-14	DM DM



1. THIS PART IS USED ON DT04-08PX-L012 (X=A,B,C,D KEYS) RECEPTACLES.
2. TEMPERATURE RATING: -57°C TO +107°C [-70°F TO +225°F]
3. PART NO. DT8P-L012-GKT
4. THICKNESS: 3.18 [.125]

DIMENSIONS: MM [INCH]	DWN D. MEYER 20JUN2014	MATERIAL CLD CELL SPONGE	FINISH BLACK
	CHK R. MESSENGER 20JUN2014	 TE Connectivity	
TOLERANCES UNLESS OTHERWISE SPECIFIED:	APVD D. MEYER 20JUN2014		
0 PLC ±	PRODUCT SPEC	SIZE A 4	
1 PLC ±	APPLICATION SPEC	CAGE CODE 4AFU8	DRAWING NO C-DT8P-L012-GKT
2 PLC ± 0.63 [.025]	WEIGHT 0.91 g	RESTRICTED TO -	
3 PLC ±		SCALE NONE	
4 PLC ±		SHEET 1 OF 1	REV A
ANGLES ± 5°	Customer Drawing		