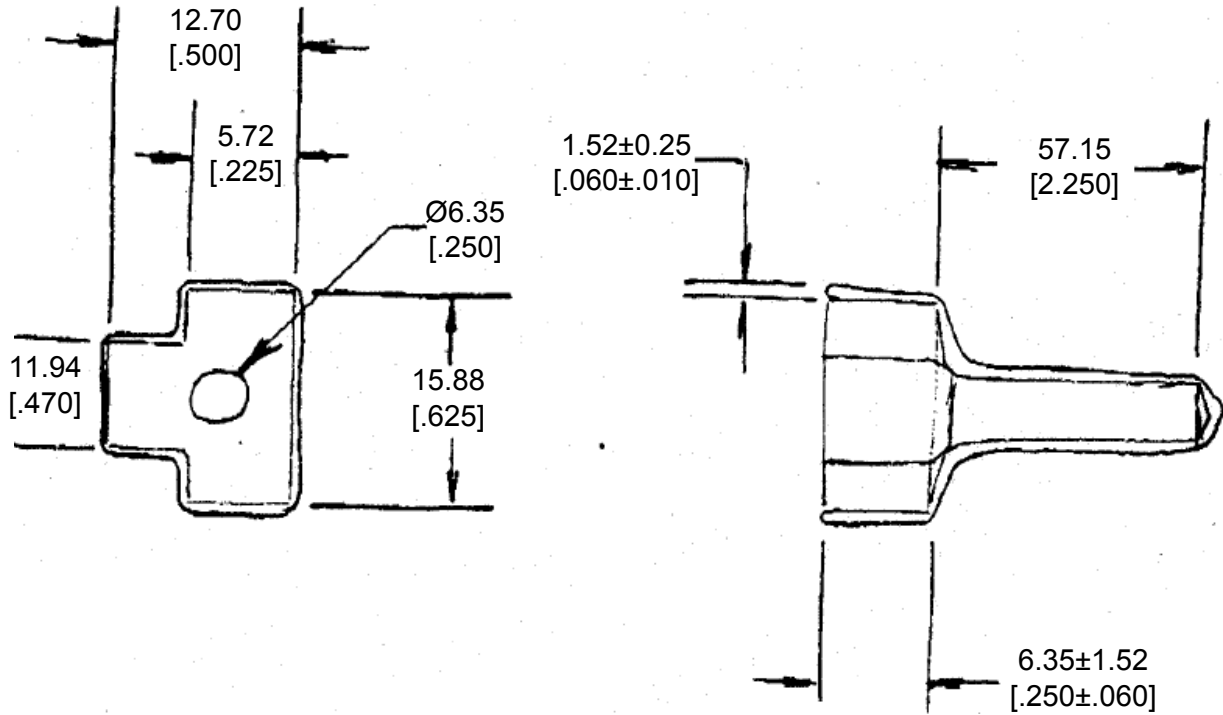


REVISIONS

P	LTR	DESCRIPTION	DATE	DWN	APVD
A		NEW RELEASE PER ECO-14-010241	07-07-14	DM	DM



2014


RELEASED FOR PUBLICATION

THIS DRAWING IS UNPUBLISHED.

ALL RIGHTS RESERVED.

© COPYRIGHT 2014 BY TE CONNECTIVITY

3. PART NO. DTM3S-BT
2. TEMPERATURE RATING: -29°C TO +100°C [-20°F TO +212°F]
1. THIS PART IS USED ON DTM06-3S PLUG WITH ANY MODIFICATION THAT DOES NOT INCLUDE AN END CAP.

DIMENSIONS: MM [INCH]	DWN	D. MEYER 07JUL2014	MATERIAL	PVC	FINISH	GRAY
	CHK	B. MILLIGAN 07JUL2014	 TE Connectivity			
TOLERANCES UNLESS OTHERWISE SPECIFIED:	APVD	D. MEYER 07JUL2014				
0 PLC ±	PRODUCT SPEC	NAME		BOOT, PLUG, 3PIN DTM SERIES		
1 PLC ±	APPLICATION SPEC	SIZE	CAGE CODE	DRAWING NO	RESTRICTED TO	
2 PLC ± 0.63 [.025]	WEIGHT	A 4	4AFU8	C = DTM3S-BT	-	
3 PLC ±	Customer Drawing	SCALE		NONE	SHEET	1 OF 1
4 PLC ±		REV		A		
ANGLES ± 5°						

