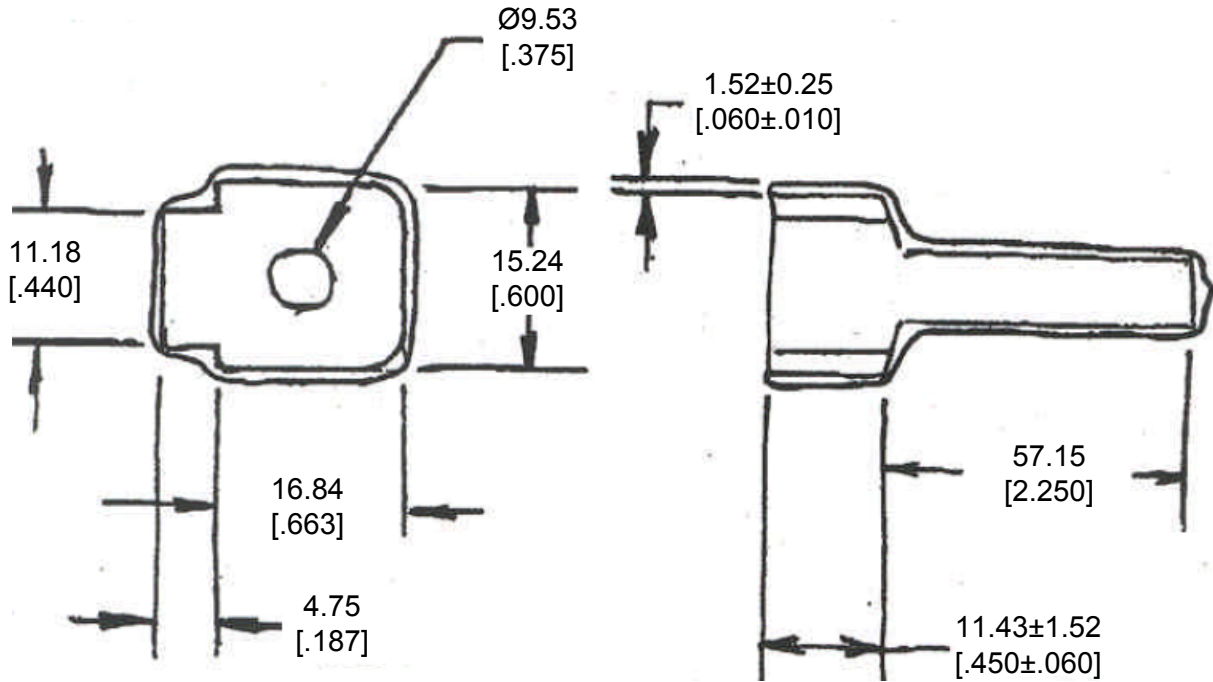


REVISIONS				
P	LTR	DESCRIPTION	DATE	APVD
A		NEW RELEASE PER ECO-14-010243	07-07-14	DM DM



2014

RELEASED FOR PUBLICATION

THIS DRAWING IS UNPUBLISHED.

ALL RIGHTS RESERVED.

© COPYRIGHT 2014 BY TE CONNECTIVITY

3. PART NO. DTM6S-BT
2. TEMPERATURE RATING: -29°C TO +100°C [-20°F TO +212°F]
1. THIS PART IS USED ON DTM06-6S PLUG WITH ANY MODIFICATION THAT DOES NOT INCLUDE AN END CAP.

DIMENSIONS: <b>MM [INCH]</b>	DWN	D. MEYER 07JUL2014	MATERIAL	PVC	FINISH	GRAY
	CHK	B. MILLIGAN 07JUL2014				
TOLERANCES UNLESS OTHERWISE SPECIFIED:	APVD	D. MEYER 07JUL2014				
0 PLC ±	PRODUCT SPEC	NAME				BOOT, PLUG, 6PIN
1 PLC ±	APPLICATION SPEC	DTM SERIES				
2 PLC ± 0.63 [.025]		SIZE	CAGE CODE	DRAWING NO	RESTRICTED TO	
3 PLC ±	WEIGHT	6.00 g	A 4	4AFU8	© - DTM6S-BT	-
4 PLC ±	Customer Drawing				SCALE	NONE
ANGLES ± 5°					SHEET	1 OF 1
					REV	A