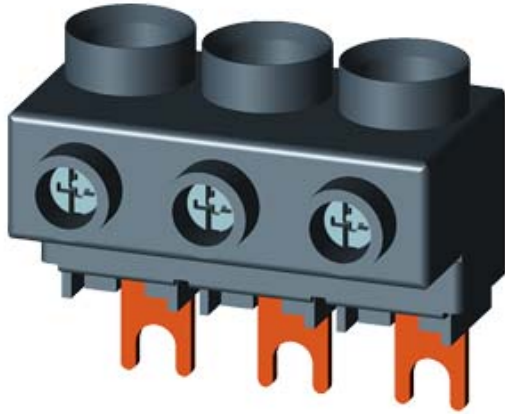


3-PHASE INFEED TERMINAL, FOR 3-PHASE  
BUSBARS, CONNECTION FROM ABOVE, SIZE  
S00/S0



**General technical data:**

<b>product brand name</b>		SIRIUS
<b>Product designation</b>		Three-phase feeder terminal
<b>Design of the product</b>		from above, size S0/S00
<b>Size of the circuit-breaker</b>		S00, S0
<b>Protection class IP on the front</b>		IP20
Insulation voltage with degree of pollution 3 Rated value	V	690
<b>Ambient temperature</b>		
• during storage	°C	-50 ... +80
• during operation	°C	-20 ... +60
<b>Ampacity maximum</b>	A	63

**Installation/ mounting/ dimensions:**

<b>Width</b>	mm	44.5
<b>Height</b>	mm	39
<b>Depth</b>	mm	27.2

**Connections/ Terminals:**

Type of electrical connection for main current circuit		screw-type terminals
<b>Type of connectable conductor cross-section</b>		
• for main contacts		
— solid		1x (2.5 ... 16 mm <sup>2</sup> )
— stranded		1x (2.5 ... 25 mm <sup>2</sup> )
— finely stranded		
— with core end processing		1x (2.5 ... 16 mm <sup>2</sup> )





• for AWG conductors for main contacts

1x (10 ... 4)

### Certificates/ approvals:

Certificate of suitability

CE / UL / CSA / CCC

General Product Approval	Declaration of Conformity	Test Certificates		Shipping Approval
 CSA	 UL	 EG-Konf.	<a href="#">Type Test Certificates/Test Report</a>	<a href="#">Special Test Certificate</a>  ABS

### Shipping Approval



Shipping Approval	other
-------------------	-------



[Confirmation](#)

[Environmental Confirmations](#)



[other](#)

### Further information

**Information- and Downloadcenter (Catalogs, Brochures,...)**

<http://www.siemens.com/industrial-controls/catalogs>

**Industry Mall (Online ordering system)**

<http://www.siemens.com/industrymall>

**Cax online generator**

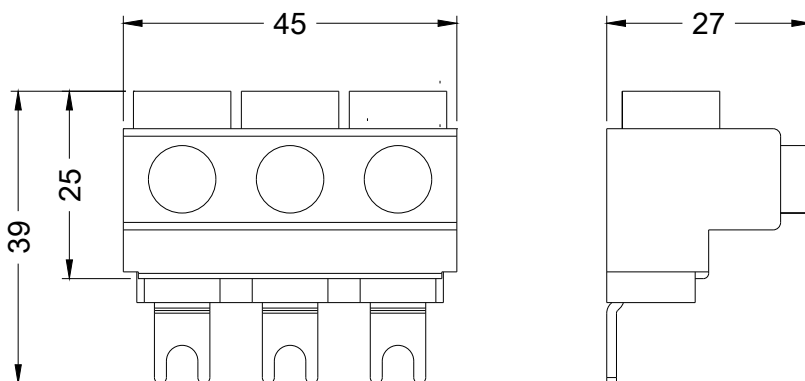
<http://support.automation.siemens.com/WW/CAXorder/default.aspx?lang=en&mlfb=3RV29255AB>

**Service&Support (Manuals, Certificates, Characteristics, FAQs,...)**

<https://support.industry.siemens.com/cs/ww/en/ps/3RV29255AB>

**Image database (product images, 2D dimension drawings, 3D models, device circuit diagrams, EPLAN macros, ...)**

[http://www.automation.siemens.com/bilddb/cax\\_de.aspx?mlfb=3RV29255AB&lang=en](http://www.automation.siemens.com/bilddb/cax_de.aspx?mlfb=3RV29255AB&lang=en)



last modified:

20.04.2015