

Datasheet

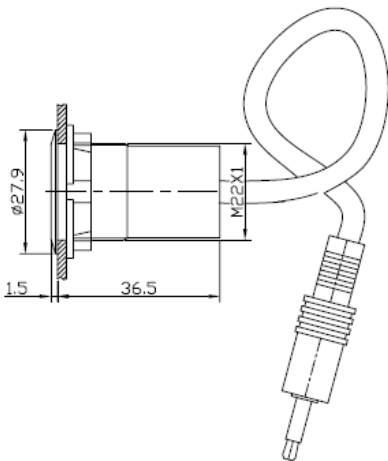
Item no. 1434424/ 1434425

V1_0717_01_en

Φ22 mm, Audio 3.5mm with 145cm

cable, BN no.: 1434424 – Silver

1434425 – Black



10MAX: means the panel thickness, the max thickness for the panel no more than 10mm.

Specification	audio 3.5 mm with 145.00 ± 5.00 cm cable
Mounting diameter	22 mm
Body material	aluminium anodized (silver colour)
Operating and storage temperature	-20 to+ 55 °C
Operating and storage humidity	10 to 85 % RH
Panel thickness	1 ~ 10 mm

This is a publication by Conrad Electronic SE, Klaus-Conrad-Str. 1, D-92240 Hirschau (www.conrad.com).

All rights including translation reserved. Reproduction by any method, e.g. photocopy, microfilming, or the capture in electronic data processing systems require the prior written approval by the editor. Reprinting, also in part, is prohibited. This publication represents the technical status at the time of printing.

© Copyright 2017 by Conrad Electronic SE.